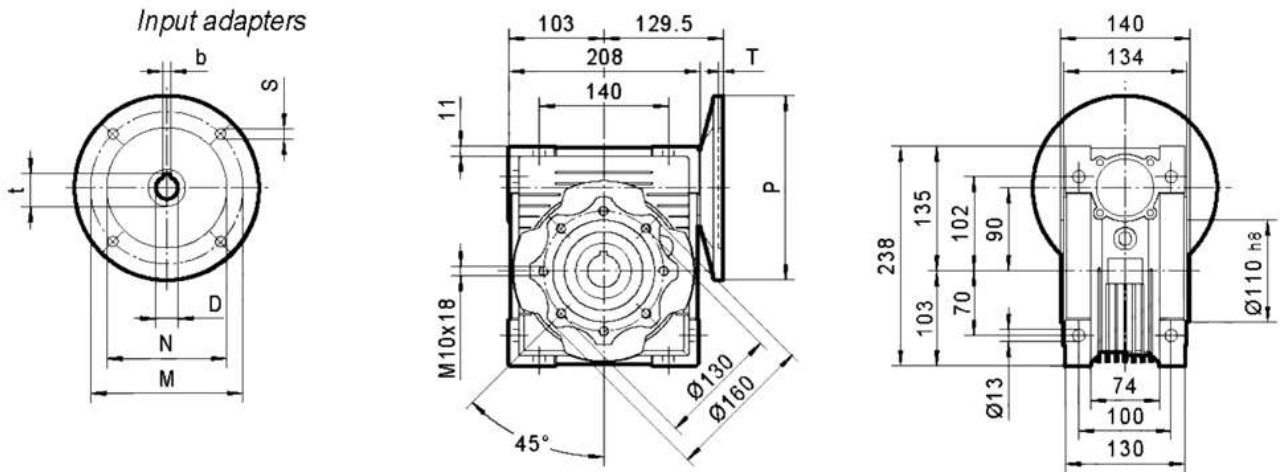
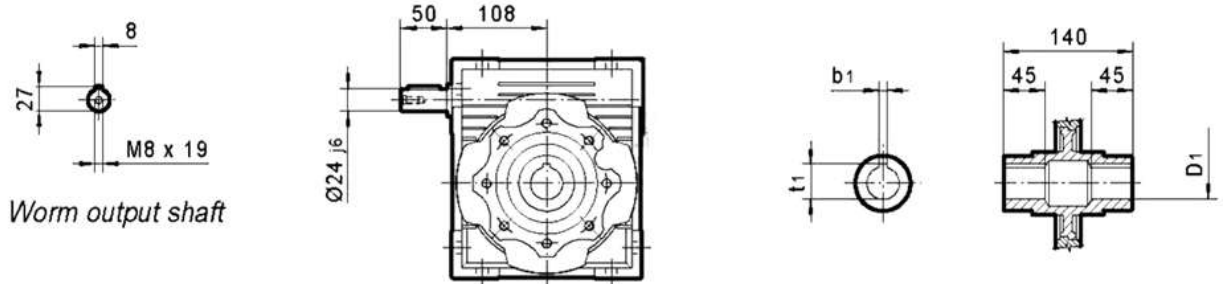


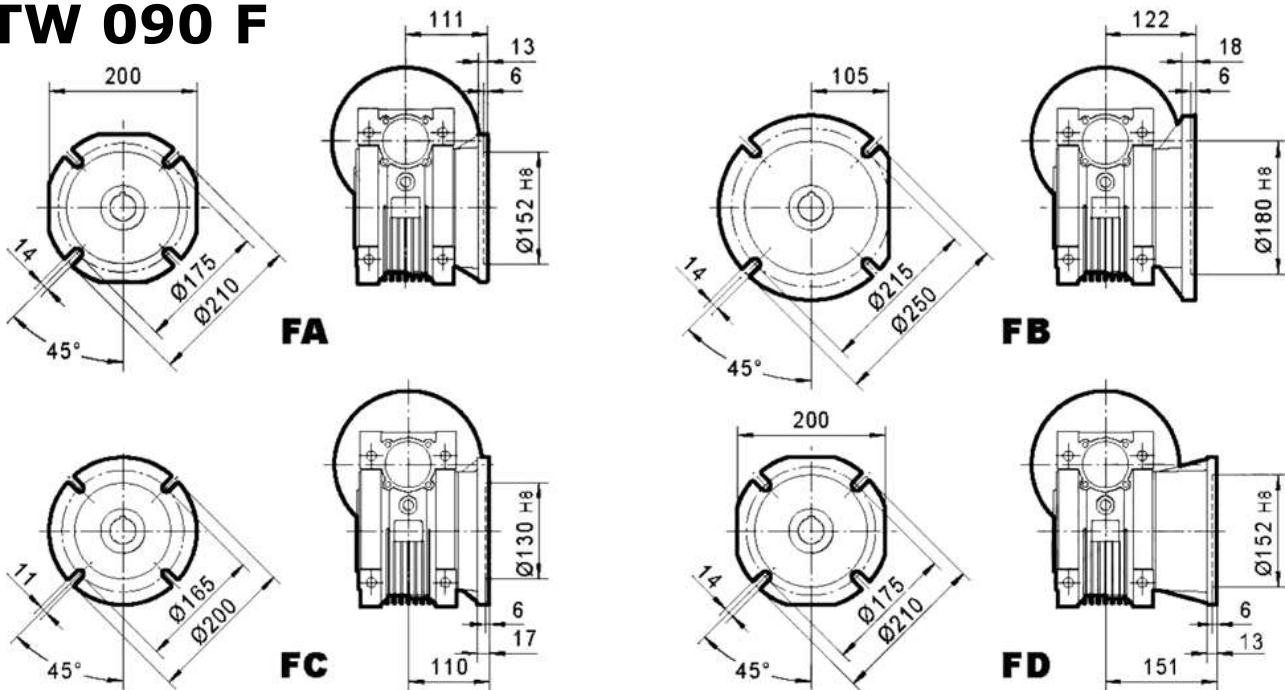
ATW 090 IEC



ATW 090 HS



ATW 090 F



IEC	DE8	b	t	P	M	N	S	T	D1 H8	b1	t1
80B5	19	6	21.8	200	165	130	11	4	35	10	38.3
80B14	19	6	21.8	120	100	80	7	4	38*	10*	41.3*
90B5	24	8	27.3	200	165	130	11	4	* Only on request		
90B14	24	8	27.3	140	115	95	9	4			
100/112B5	28	8	31.3	250	215	180	13.5	4.5			
100/112B14	28	8	31.3	160	130	110	9	4.5			

Weight without motor $\approx 13 \text{ kg}$