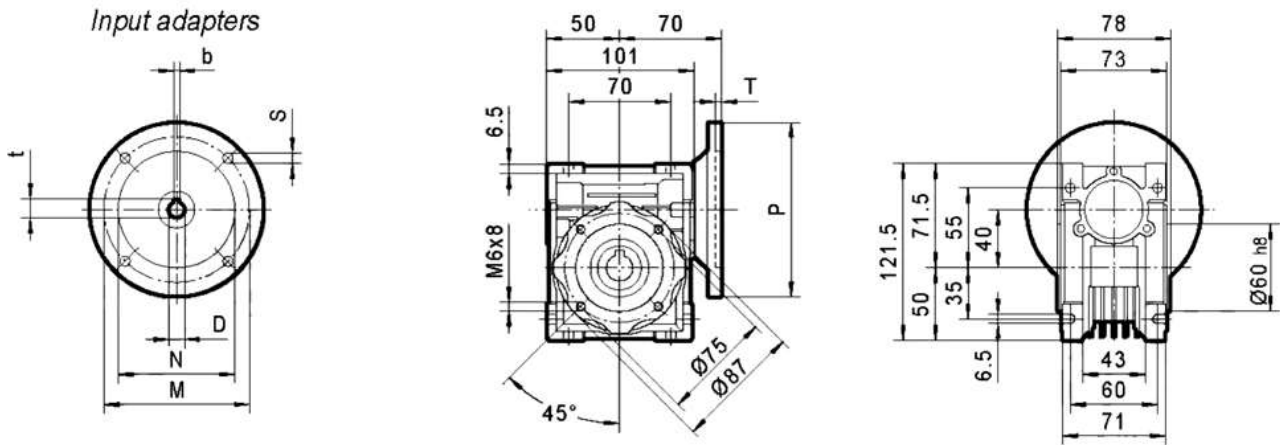
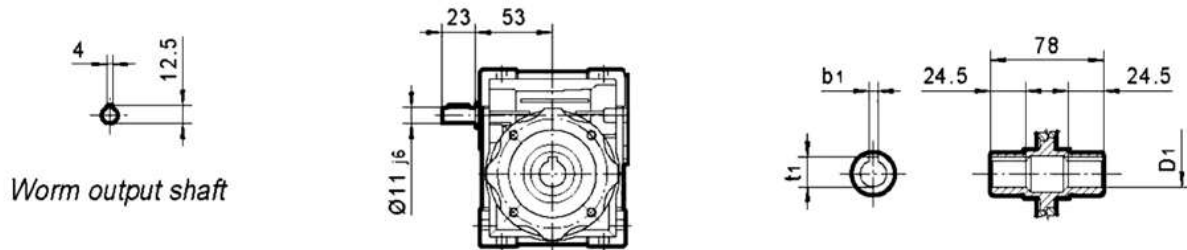


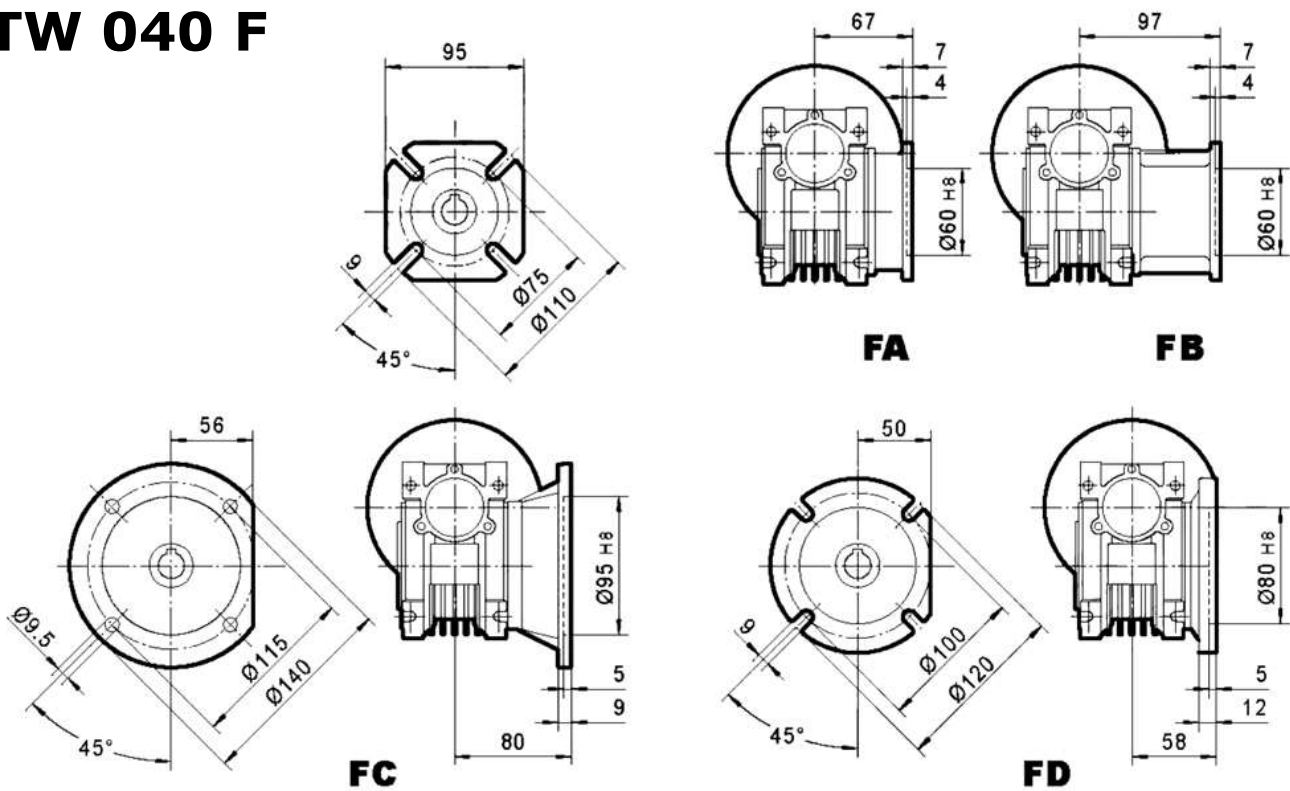
ATW 040 IEC



ATW 040 HS



ATW 040 F



IEC	DE8	b	t	P	M	N	S	T	D1 H8	b1	t1
56B5	9	3	10.4	120	100	80	7	4	18	6	20.8
63B5	11	4	12.8	140	115	95	9	4	19*	6*	21.8*
63B14	11	4	12.8	90	75	60	5.5	4	* Only on request		
71B5	14	5	16.3	160	130	110	9	4			
71B14	14	5	16.3	105	85	70	7	4			

Weight without motor ≈ 2.3 kg