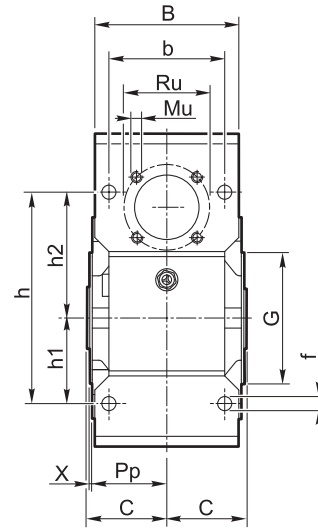
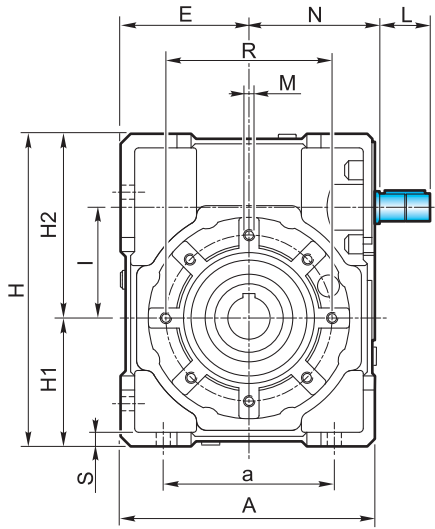


2.7 Dimensioni

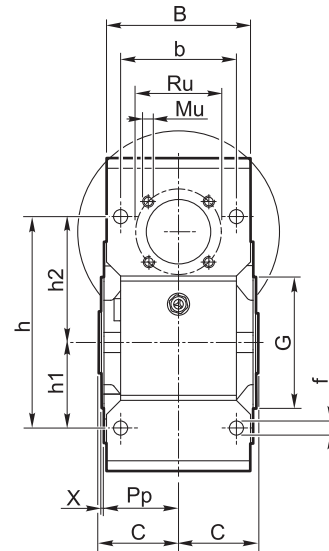
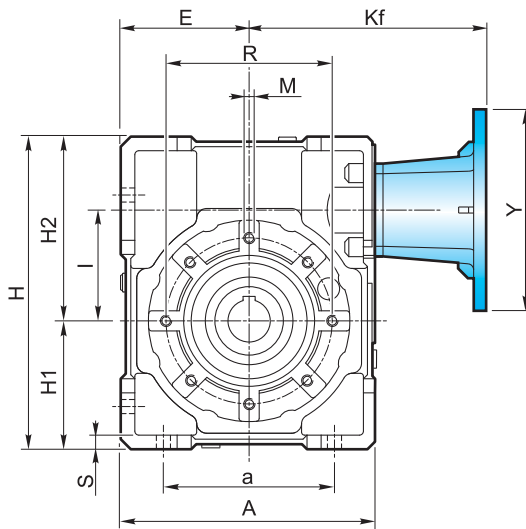
2.7 Dimensions

2.7 Abmessungen

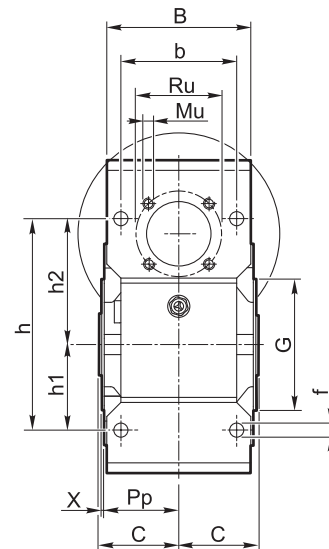
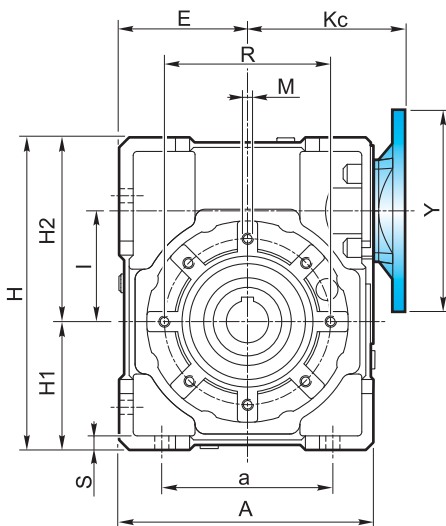
**XA**



**XF**



**XC**

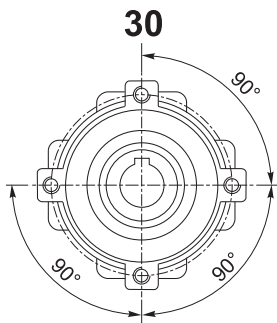


2.7 Dimensioni

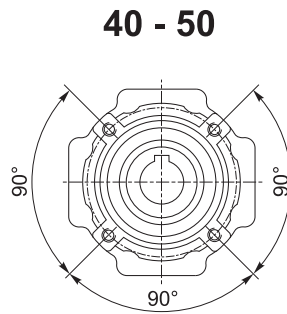
2.7 Dimensions

2.7 Abmessungen

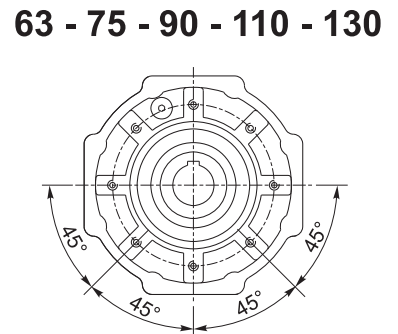
Flangia pendolare / Shaft-mounted flange / Aufsteckflansch



4 Fori / Holes / Bohrungen

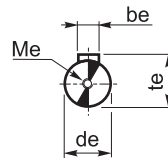
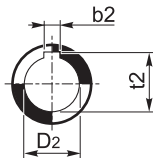


4 Fori / Holes / Bohrungen



8 Fori / Holes / Bohrungen

Albero uscita cavo  
Output hollow shaft  
Abtriebshohlwelle



Albero entrata  
Input shaft  
Antriebswelle

| X   | A     | a   | B   | b   | b <sub>e</sub> | b <sub>2</sub> | C  | d <sub>e</sub><br>j <sub>6</sub> | D <sub>2</sub><br>H <sub>7</sub> | E  | f  | G<br>h <sub>8</sub> | H   | H <sub>1</sub> | H <sub>2</sub> | h     | h <sub>1</sub> | h <sub>2</sub> |     |     |
|-----|-------|-----|-----|-----|----------------|----------------|----|----------------------------------|----------------------------------|----|----|---------------------|-----|----------------|----------------|-------|----------------|----------------|-----|-----|
| 30  | 80    | 54  | 56  | 44  | 3              | 5              | —  | 31.5                             | 9                                | 14 | —  | 40                  | 6.5 | 55             | 97             | 40    | 57             | 71             | 27  | 44  |
| 40  | 105   | 70  | 71  | 60  | 4              | 6              | 6  | 39                               | 11                               | 18 | 19 | 50                  | 6.5 | 60             | 125            | 50    | 75             | 90             | 35  | 55  |
| 50  | 125   | 80  | 85  | 70  | 5              | 8              | 8  | 46                               | 14                               | 25 | 24 | 60                  | 8.5 | 70             | 150            | 60    | 90             | 104            | 40  | 64  |
| 63  | 147   | 100 | 103 | 85  | 6              | 8              | —  | 56                               | 19                               | 25 | —  | 72                  | 9   | 80             | 182            | 72    | 110            | 130            | 50  | 80  |
| 75  | 176   | 120 | 112 | 90  | 8              | 8              | 8  | 60                               | 24                               | 28 | 30 | 86                  | 11  | 95             | 219.5          | 86    | 133.5          | 153            | 60  | 93  |
| 90  | 203   | 140 | 130 | 100 | 8              | 10             | —  | 70                               | 24                               | 35 | —  | 103                 | 13  | 110            | 248.5          | 103   | 145.5          | 172            | 70  | 102 |
| 110 | 252.5 | 170 | 143 | 115 | 8              | 12             | —  | 77.5                             | 28                               | 42 | —  | 127.5               | 14  | 130            | 310.5          | 127.5 | 183            | 210            | 85  | 125 |
| 130 | 292.5 | 200 | 155 | 120 | 10             | 14             | 14 | 85                               | 38                               | 45 | 48 | 147.5               | 15  | 180            | 355            | 147.5 | 207.5          | 240            | 100 | 140 |

| X   | I    | K <sub>c</sub> | K <sub>f</sub>                          | L  | M      | M <sub>e</sub> | M <sub>u</sub> | N    | P <sub>p</sub> | R   | R <sub>u</sub> | S   | t <sub>e</sub> | t <sub>2</sub> | X    |     |
|-----|------|----------------|---|----|--------|----------------|----------------|------|----------------|-----|----------------|-----|----------------|----------------|------|-----|
| 30  | 31.5 | 57             | vedi pag.<br>see page<br>siehe S.<br>32 | 15 | M6x8   | M4x10          | M5x7.5         | 44.5 | 29             | 65  | 35.4           | 5.5 | 10.2           | 16.3           | —    | 1.5 |
| 40  | 40   | 75             |   | 20 | M6x10  | M4x12          | M5x10          | 57.5 | 36.5           | 75  | 42.4           | 6   | 12.5           | 20.8           | 21.8 | 1.5 |
| 50  | 50   | 82             |   | 25 | M8x10  | M5x13          | M6x10          | 67.5 | 43.5           | 85  | 53.7           | 7   | 16             | 28.3           | 27.3 | 1.5 |
| 63  | 63   | 95             |   | 30 | M8x14  | M8x20          | M6x12          | 77.5 | 53             | 95  | 60.8           | 8   | 21.5           | 28.3           | —    | 2   |
| 75  | 75   | 112            |   | 40 | M8x14  | M8x20          | M8x12          | 95   | 57             | 115 | 70.7           | 10  | 27             | 31.3           | 33.3 | 2   |
| 90  | 90   | 122            |   | 40 | M10x18 | M8x20          | M8x14          | 105  | 67             | 130 | 70.7           | 12  | 27             | 38.3           | —    | 2   |
| 110 | 110  | 153            |   | 50 | M10x18 | M8x20          | M10x18         | 130  | 74             | 165 | 85.0           | 14  | 31             | 45.3           | —    | 2.5 |
| 130 | 130  | 173            |   | 70 | M12x20 | M10x25         | M10x16         | 152  | 81             | 215 | 104            | 15  | 41             | 48.8           | 51.8 | 3   |