



#### QUICK SELECTION / Selezione veloce

input speed (n<sub>1</sub>) = 1400 min<sup>-1</sup>

Output Speed n <sub>2</sub> [min <sup>-1</sup> ]	Ratio i	Motor power P <sub>1M</sub> [kW]	Output torque M <sub>2M</sub> [Nm]	Service factor f.s.	Nominal power P <sub>1R</sub> [kW]	Nominal torque M <sub>2R</sub> [Nm]	Available B5 motor flanges				Available B14 motor flanges			Output Shaft 	Ratios code
							B	C	D	E	Q	R	T		
							63	71	80	90	71	80	90		
35.2	<b>39.79</b>	1.5	382	1.1	1.7	434	B				C	C		191316	05
29.6	<b>47.22</b>	1.5	453	1.1	1.7	515	B				C	C		191314	06
25.6	<b>54.73</b>	1.5	525	1.0	1.5	515	B				C	C		171314	07
24.5	<b>57.13</b>	1.5	548	0.9	1.4	520	B				C	C		191312	08
21.1	<b>66.22</b>	1.1	464	1.1	1.2	520	B				C	C		171312	09
19.7	<b>71.01</b>	1.1	498	0.9	0.96	435	B				C	C		191310	10
18.3	<b>76.69</b>	1.1	538	1.0	1.0	515	B				C	C		131314	11
17.0	<b>82.30</b>	0.75	396	1.1	0.82	435	B				C	C		171310	12
16.7	<b>83.59</b>	0.75	402	1.1	0.82	440	B				C	C		190814	13
15.1	<b>92.78</b>	0.75	446	1.2	0.87	520	B				C	C		131312	14
13.4	<b>104.68</b>	0.75	503	1.0	0.77	515	B				C	C		101314	15
11.9	<b>117.22</b>	0.75	564	0.9	0.69	520	B				C	C		170812	16
11.1	<b>126.65</b>	0.55	449	1.2	0.64	520	B				C	C		101312	17
10.3	<b>135.74</b>	0.55	482	0.9	0.51	440	B				C	C		130814	18
9.6	<b>145.68</b>	0.37	346	1.3	0.47	435	B				C	C		170810	19
8.9	<b>157.40</b>	0.37	373	1.2	0.43	435	B				C	C		101310	20
8.5	<b>165.29</b>	0.37	392	1.3	0.49	520	B				C	C		91312	21
7.6	<b>185.29</b>	0.37	439	1.0	0.37	440	B				C	C		100814	22
6.8	<b>205.43</b>	0.37	487	0.9	0.33	435	B				C	C		91310	23
6.2	<b>224.18</b>	0.37	532	1.0	0.36	520	B				C	C		100812	24
5.8	<b>241.82</b>	0.25	387	1.1	0.28	440	B				C	C		90814	25
5.0	<b>278.62</b>	0.25	446	1.0	0.24	435	B				C	C		100810	26
4.8	<b>292.57</b>	0.25	468	1.1	0.28	520	B				C	C		90812	27
3.9	<b>363.63</b>	0.18	445	1.0	0.19	435	B				C	C		90810	28

The dynamic efficiency is **0.94** for all ratios

**A** Motor Flanges Available  
Flange Motore Disponibili

**B** Supplied with Reduction Bushing  
Fornito con Bussola di Riduzione

**B** Available on Request without reduction bushing  
Disponibile a Richiesta senza Bussola di Riduzione

**C** Motor Flange Holes Position  
Posizione Fori Flangia Motore

**EN** Unit **603A** is supplied with synthetic oil for lifetime lubrication, no maintenance is necessary. See table 1 for lubrication and recommended quantity. In table 2 please see possible radial loads and axial loads on the gearbox.

**I** Il riduttore **603A** viene fornito completo di olio sintetico per la lubrificazione permanente e non necessita di alcuna manutenzione. Vedi tab.1 per oli e quantità consigliati. In tab.2 sono presenti i carichi radiali e assiali applicabili al riduttore.

**D** Das Getriebe **603A** ist mit synthetischem Öl gefüllt und ist lebensdauergeschmiert. In Tabelle 1 ist die Schmiermenge und das empfohlene Schmiermittel angegeben. In Tabelle 2 sind die zulässigen Radial- und Axialbelastungen des Getriebes aufgeführt.

**F** Le réducteur **603A** est fourni complet avec de l'huile synthétique pour la lubrification permanente et ne nécessite aucun entretien. Voir tableau 1 concernant les huiles et les quantités conseillées. Les charges radiales et axiales applicables au réducteur sont précisées dans le tableau 2.

**E** El reductor tamaño **603A** se suministra, lubricado de por vida con aceite sintético y no requieren mantenimiento alguna. Ver tabla 1, para cantidades y aceites recomendados. En la tabla 2, se encuentran las cargas radiales y axiales admitidas por el reductor.

Standard supplied	For these mounting position specify in the order or add oil Per queste posizioni specificare in fase d'ordine o aggiungere olio					
B3	B6	B7	B8	V5	V6	V8
0.75 LT	0.90 LT	1.15 LT	1.25 LT	1.30 LT	1.35 LT	Ask
AGIP Telium VSF 320			SHELL Omala S4 WE 320			

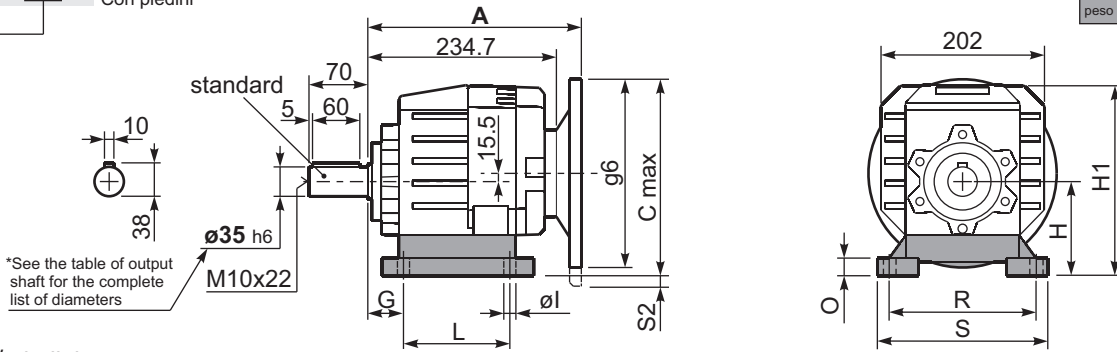
For all details on lubrication and plugs check our website **tab. 1**  
Per maggiori dettagli su lubrificazione e tappi olio vedi il nostro sito web

RADIAL AND AXIAL LOADS								
<b>Output shaft</b> Albero di uscita			$F_{eq} = F_R \cdot \frac{60.5}{X+25.5}$					
n <sub>2</sub>	FA	FR	n <sub>2</sub>	FA	FR	n <sub>2</sub>	FA	FR
300	560	2800	140	740	3700	70	890	4200
250	600	3000	120	760	3800	40	1160	5800
200	640	3200	85	840	4000	15	1300	6500
<b>Input shaft</b> Albero in entrata								
n <sub>1</sub>	FA	FR						
1400	400	2000						
900	440	2200						
500	440	2200						

**tab. 2**

P603A-B1... With feet  
Con piedini

Gearbox weight **14.3 kg**  
peso riduttore With feet **14.7 Kg**



Feet / piedini

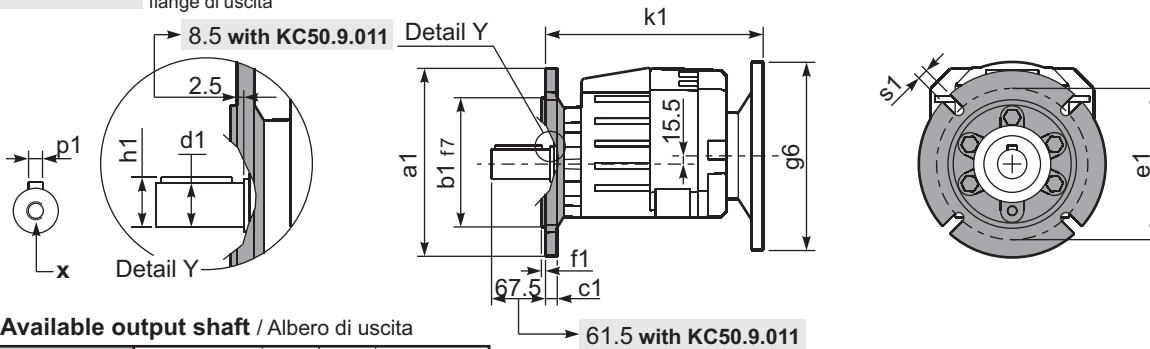
Feet Code	Market reference	G	H	R	L	S	H1	O	øl	S2 only with motor flange	B5 max. Flange	kit code
B4	412/3	20	130	180	149.5	216	233	18	14	-	-	KC60.9.024
S4	47-57	30	115	135	165	170	218	24	13.5	-	-	KC50.9.022
M3	62/3	35	120	170-185	110	230	223	20	14	-	-	KC60.9.023
S7	77	35	140	170	205	204	243	8	14	-	-	KC60.9.029LM
H4	024-243	35	155	170	150	225	258	30	14	-	-	KC60.9.025
L6	06	19	125	160	106	205	228	8	14	-	-	KC50.9.026LM
E3	2302/3	19.5	125	170	240	205	228	8	14	-	-	KC60.9.026LM
P6	162	40	162	160	205	200	265	8	14	-	-	KC60.9.027LM
B5	352/3	23.5	115	170	130	205	218	8	14	-	-	KC60.9.021LM

Other feet are available, see our web site  
Sono disponibili altri piedini, consulta il nostro sito web

A see on page bottom

Most popular types  
Tipi più diffusi

P603A-F... Output flanges  
flange di uscita



\*Available output shaft / Alberi di uscita

	Shaft - d1	p1	h1	x
Standard	ø 35x70	10	38	M10x22
On request A richiesta	ø 28x60	8	31	M8x20
	ø 30x60	8	33	M10x22
	ø 38x70	10	41	M10x25
	ø 40x80	12	43	M12x28

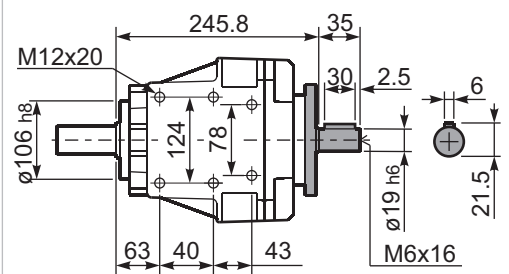
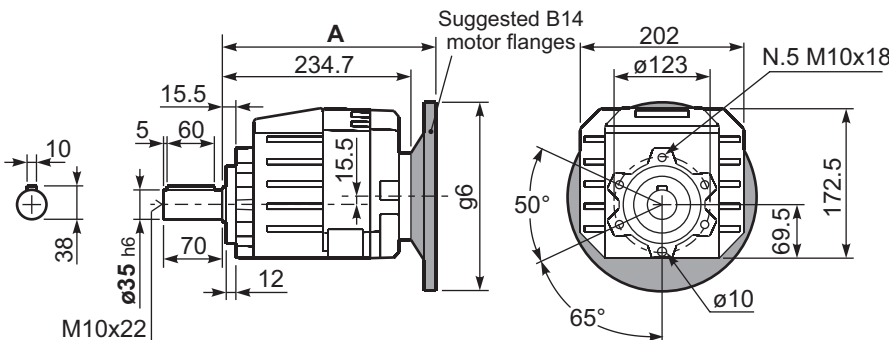
Available output flanges / flange di uscita

a1 ø	b1	c1	e1	f1	s1	kit code
160	110	14	130	3.5	11	KC50.9.011
200	130	13	165	3.5	11	KC50.9.012
250	180	15.5	215	4	14	KC50.9.013

With flange and feet only on request. Ask for compatibility

P603A-N... Basic gearbox  
Riduttore base

R603A-N... Input Shaft  
Albero in entrata



B5 Motor Flanges	A	C <sub>max</sub>	g6	k1	kit code	k1 with KC50.9.011
63 B5	255.2	247.5	140	257.7	K063.4.041	263.7
71 B5	253.2	257.5	160	255.7	K063.4.042	261.7
80/90 B5	255.2	277.5	200	257.7	K063.4.043	263.7

B14 Motor Flanges	A	C <sub>max</sub>	g6	k1	kit code	k1 with KC50.9.011
71 B14	253.2	230	105	255.7	K063.4.047	261.7
80 B14	255.2	237.5	120	257.7	K063.4.046	263.7
90 B14	255.2	247.5	140	257.7	K063.4.041	263.7