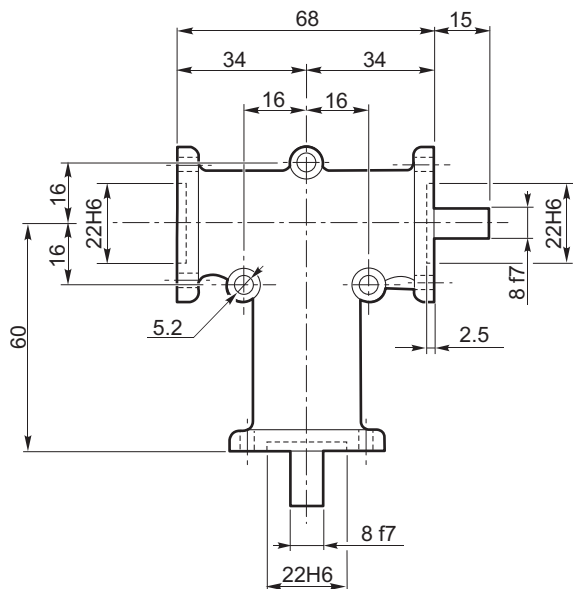
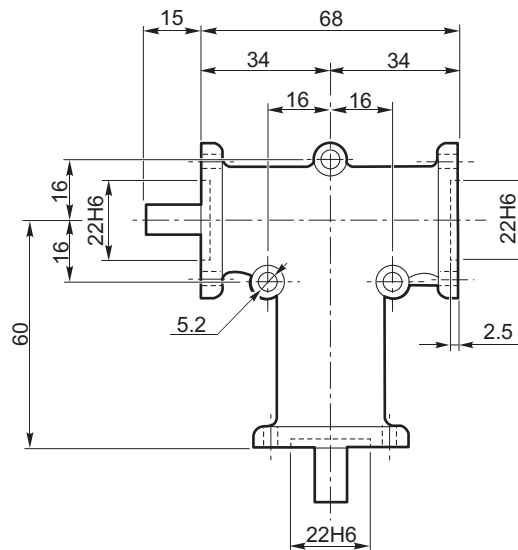


RL 31

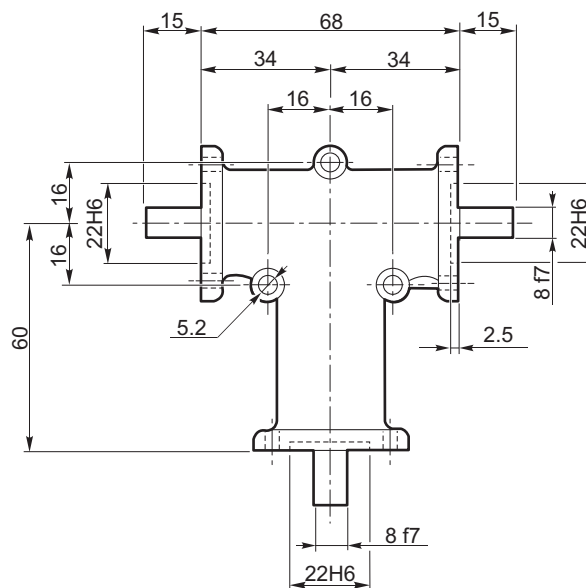
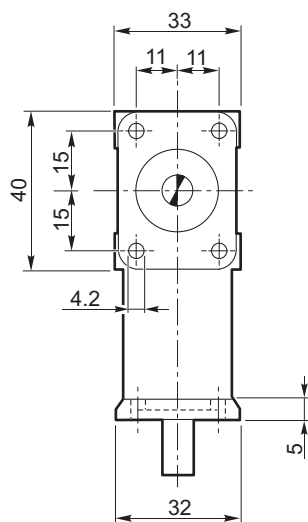
3FL



AB



AC



BC