

# RAN 8

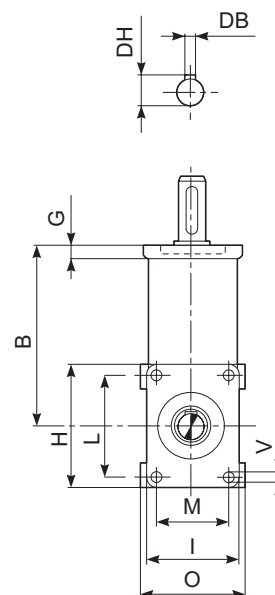
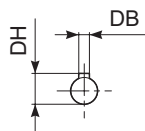
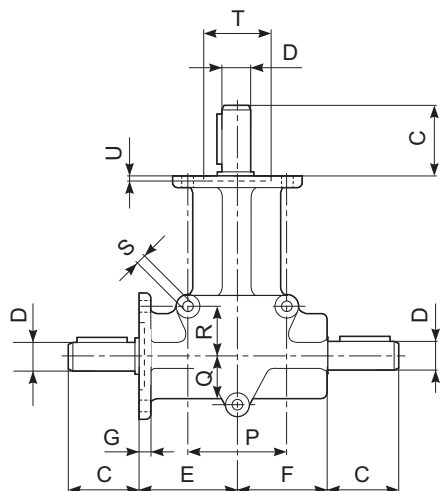
# RAN 15

18 - DIMENSIONI

18 - DIMENSIONS

18 - ABMESSUNGEN

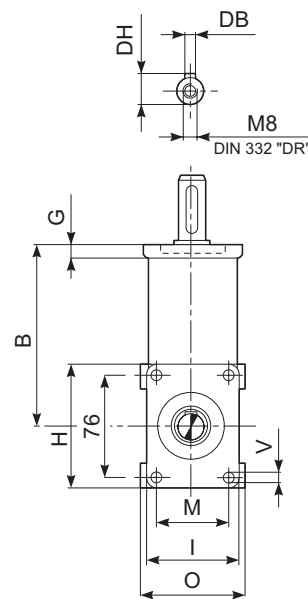
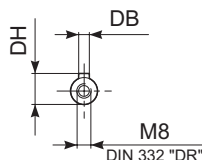
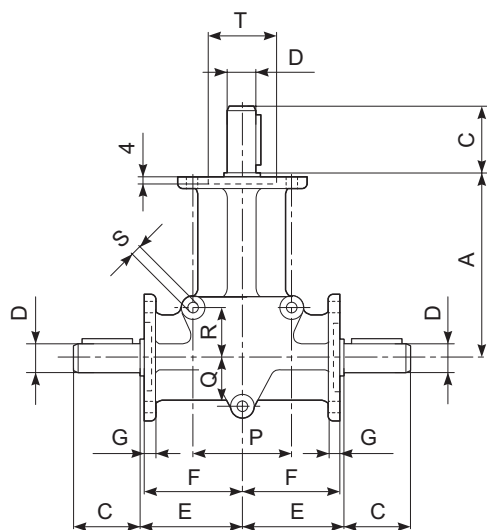
18 - DIMENSIONS



	B	C	D h6	E	F	G	H	I	L	M	O	P	Q	R	S	T h7	U	V	DB	DH	kg
<b>RAN 8</b>	60	15	8	34	27	5	40	32	30	22	33	32	16	16	5.2	22	2.5	4.2	-	-	0.3
<b>RAN 15</b>	90	35	15	52	37	7	66	50	52	36	52	48	24	24	8.3	35	3.5	6.2	5	17	1.0

# RAN 20

# RAN 25



	A	B	C	D h6	E	F	G	H	I	M	O	P	Q	R	S	T h7	V	DB	DH	kg
<b>RAN 20</b>	142.5	140	50	20	77.5	75	8	96	74	54	76	76	38	38	9	52	8.5	6	22.5	3.2
<b>RAN 25</b>	152.5	150	60	25	82.5	80	12	98	98	76	100	90	45	70	12.5	62	10.5	8	28	5.0