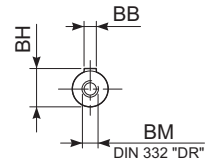
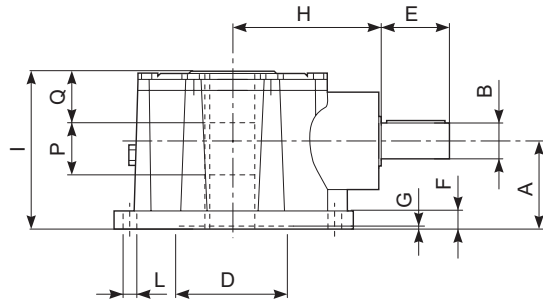


# RAN 1

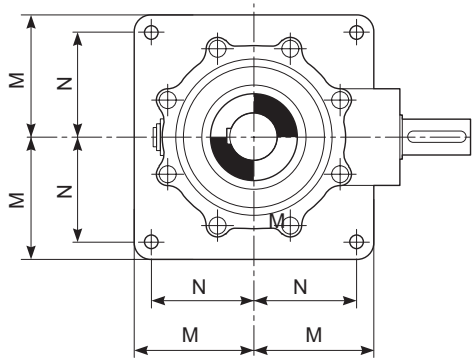
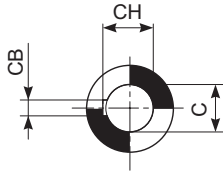
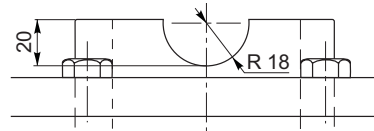
# RAN 2

# RAN 2R

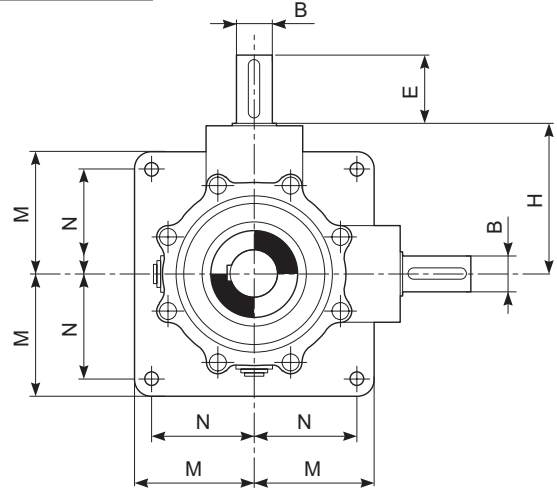


## RAN 2R

## RAN 2RD



## RAN...D



	A	B h6	C G7	D	E	F	G	H	I	L	M	N	P	Q	BB	BH	BM	CB	CH	Kg
<b>RAN 1</b> <b>RAN 1 D</b>	91	30	45	110	60	15	4	139	158	15	93	76	46	55	8	33	M10	14	48.8	20.5 23
<b>RAN 2</b> <b>RAN 2 D</b>	100	40	55	130	80	21	3	173	180	16	140	120	59	60	12	43	M10	16	59.3	40.5 46
<b>RAN 2R</b> <b>RAN 2R D</b>	110	50	80.3	-	100	21	-	218	225	22	140	120	-	-	14	53.5	M16	-	-	47 75