

Bevel Gearboxes KEK Version A

Angular drives with high torques at very low dimensions.
Suitable in a wide variety of applications
8 Sizes. Ratio 1:1.

Housing: Aluminium, silver anodized. Sealed against lubricant leaks, protected against dust. Can be mounted in any position.

Gearing: Bevel gears from steel, surface hardened.

Bearing: Ball bearings with rubber seal RS.

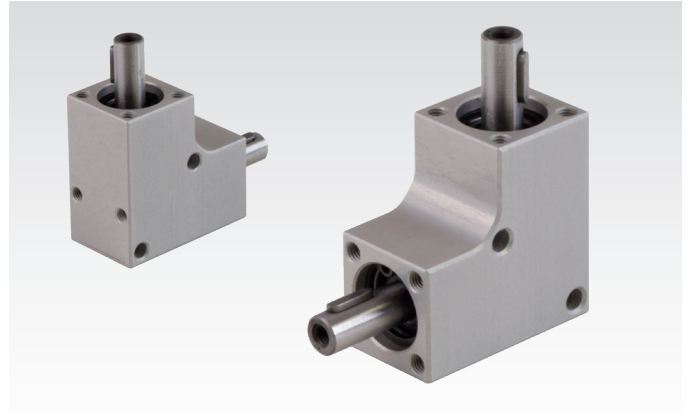
Lubrication: Maintenance free grease lubrication.

Angular backlash: $3^{\circ} \pm 1^{\circ}$.

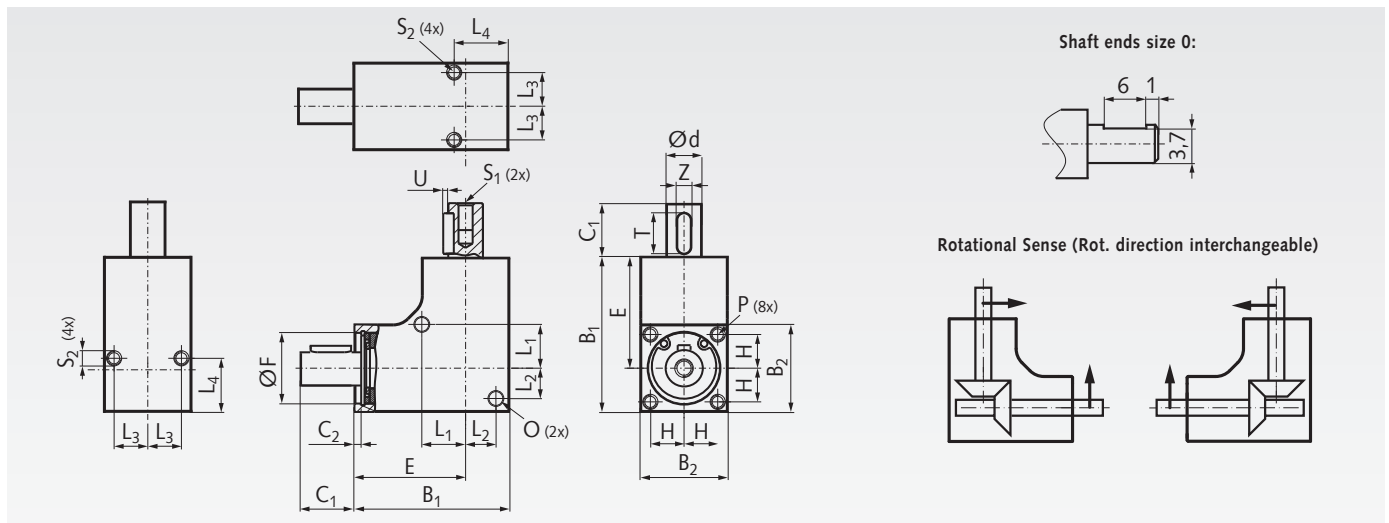
Operating time: 20% at 5 min.

Life time: 1,000 hours at max. performance at speed 500 min^{-1} and operating time 20%.

Permiss. operating temperature: -20° to $+60^{\circ}\text{C}$.



Ordering Details: e.g.: Product No. 41000110 Bevel Gearbox KEK Version A Size 0



Performance Data

Product No.	Size	Shafts $\varnothing d^{j6}$ mm	Ratio i	Permittable Torque at Speed			Permittable Power at Speed			Shaft Load		Weight g
				100 min^{-1} Nm	500 min^{-1} Nm	1.000 min^{-1} Nm	100 min^{-1} W	500 min^{-1} W	1.000 min^{-1} W	F_R^* N	F_A^{**} N	
410 001 10	0	4	1 : 1	0,28	0,08	0,04	2,96	4,16	4,16	48	48	29
410 001 01	1	6	1 : 1	0,35	0,1	0,05	3,7	5,2	5,2	60	60	52
410 001 02	2	8	1 : 1	0,75	0,3	0,15	7,9	15,7	15,7	100	100	73
410 001 03	3	10	1 : 1	2,5	1	0,50	26,2	52,4	52,4	120	120	142
410 001 04	4	12	1 : 1	4	1,5	0,75	41,9	78,5	78,5	140	140	189
410 001 05	5	12	1 : 1	5	2	1,0	52	105	105	240	240	268
410 001 06	6	12	1 : 1	8	3	1,5	84	157	157	550	550	330
410 001 07	7	12	1 : 1	10	4	2,0	105	209	209	550	550	395

* Radial load F_R max. (on middle of the Output Shaft) for $F_A = 0$. ** Axial load F_A max. for $F_R = 0$.

Dimensions

Size	B_1 mm	B_2 mm	C_1 mm	C_2 mm	d^{j6} mm	E mm	F mm	H mm	L_1 mm	L_2 mm	L_3 mm	L_4 mm	O mm	P mm	S_1 mm	S_2 mm	T mm	U mm	Z mm
0	26	15	10	1,1	4	18,5	11	5,5	8	4,5	5,5	9	2,6	M2,5 x 5	M2,5 x 5	M2,5 x 5	-	-	-
1	32	18	12	2,1	6	23	13	6,5	8,5	6	6,5	11	3,1	M3 x 10	M3 x 8	M3 x 6	8	0,8	2 ¹⁾
2	35	20	12	2,05	8	25	16	7,5	10	7	7,5	10	3,1	M3 x 10	M3 x 8	M3 x 6	8	0,8	2
3	42	24	16	2,0	10	30	19	9	12	8	9	16	4,1	M4 x 10	M4 x 8	M4 x 8	12	1,5	4 ¹⁾
4	46	26	16	2,0	12	33	21	10	13	9	10	16	4,1	M4 x 10	M5 x 8	M4 x 8	12	1,5	4
5	53	30	16	2,1	12	38	24	11	15	11	11	16	4,1	M4 x 10	M5 x 8	M4 x 8	12	1,5	4
6	56	32	16	2,1	12	40	28	12	17	12	12	16	4,1	M4 x 10	M5 x 8	M4 x 8	12	1,5	4
7	60	35	16	2,1	12	42,5	30	13	17,5	13,5	13	16	4,1	M4 x 10	M5 x 8	M4 x 8	12	1,5	4

¹⁾ Not according to DIN 6885.

Connecting Shafts Page 982

