

Bevel Gearboxes DZA

General data: 4 sizes and 2 versions.

Ratio either 1 : 1 or 2 : 1. Any mounting position possible.

Ratio for gearing up to max. 750 min⁻¹ possible.

Housing: Thick-walled, one-piece cast aluminium housing, fully oil-tight and dust-proof.

Gearing: The gears are to the Coniflex system, case hardened.

Shafts/bearing system: Input and output shaft are ground and mounted on ball bearings. **From size 2 with keyways.**

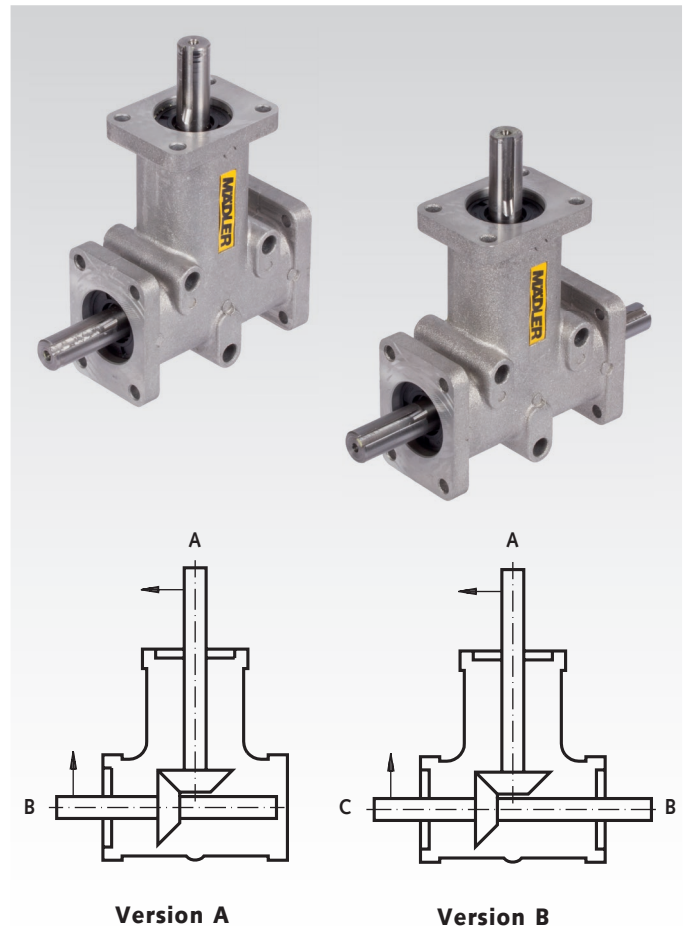
Lubrication/maintenance: Lubricated for life, viscosity ISO VG 150. Gearboxes are maintenance free.

Angular backlash: 15 to 30 angular minutes.

Permiss. operating temperature: -18°C to +80°C.

Ordering details: e.g.: Product No., Type, Ratio, Size, Version

Product No.	Ratio	Size	Version	Shaft-Ø mm	Weight kg
410 010 00	1 : 1	1	A	8	0,30
410 020 00	1 : 1	1	B	8	0,31
410 012 00	1 : 1	2	A	15	1,25
410 022 00	1 : 1	2	B	15	1,31
410 014 00	1 : 1	3	A	20	3,75
410 024 00	1 : 1	3	B	20	3,89
410 016 00	1 : 1	4	A	25	6,20
410 026 00	1 : 1	4	B	25	6,52
410 010 02	2 : 1	1	A	8	0,30
410 020 02	2 : 1	1	B	8	0,31
410 012 02	2 : 1	2	A	15	1,25
410 022 02	2 : 1	2	B	15	1,31
410 014 02	2 : 1	3	A	20	3,75
410 024 02	2 : 1	3	B	20	3,89
410 016 02	2 : 1	4	A	25	6,20
410 026 02	2 : 1	4	B	25	6,52



Performance Data

Output Speed* min ⁻¹	Ratio i	Size 1		Size 2		Size 3		Size 4	
		Input Power kW	Output Torque** Nm	Input Power kW	Output Torque** Nm	Input Power kW	Output Torque** Nm	Input Power kW	Output Torque** Nm
50	1 : 1	0,02	3,5	0,05	10,0	0,18	35,0	0,31	60
100	1 : 1	0,03	3,0	0,10	9,5	0,34	32,0	0,61	58
200	1 : 1	0,06	2,8	0,20	9,5	0,64	30,5	1,17	56
400	1 : 1	0,11	2,6	0,38	9,0	1,22	29,0	2,18	52
700	1 : 1	0,18	2,5	0,65	8,8	2,09	28,5	3,37	46
1400	1 : 1	0,35	2,4	1,29	8,8	3,99	27,2	6,45	44
2000***	1 : 1	0,31	1,5	1,15	5,5	3,77	18,0	7,33	35
3000***	1 : 1	0,38	1,2	1,26	4,0	4,71	15,0	7,54	24
50	2 : 1	0,02	3,0	0,04	8,0	0,14	26,0	0,26	50
100	2 : 1	0,03	2,5	0,07	7,0	0,25	24,0	0,46	44
200	2 : 1	0,05	2,2	0,14	6,8	0,46	22,0	0,90	43
400	2 : 1	0,09	2,1	0,29	6,8	0,88	21,0	1,72	41
700	2 : 1	0,15	2,0	0,50	6,8	1,47	20,0	3,00	40,9
1400	2 : 1	0,18	1,2	0,66	4,5	2,35	16,0	3,67	25

* The gearboxes are thus dimensioned, that the lifetime comes to 10,000 hours at full load and a starting speed of 1,400 min⁻¹.

** Only for version A. At version B, the torque at each output shaft end may be only 50%.

*** Speeds above 1,400 min⁻¹ shorten the lifespan and are only permitted for a short time. If the permiss. operating temperature is exceeded, oil leaks may occur.

Input shaft / output shaft, speed

At both types and both ratios, the input can be at shaft A as well as at shaft B/C.

At ratio 1:1 the maximum speed is 1,400 min⁻¹.

Ratio 2:1 can be used for gearing down and also for gearing up.

Gearing down: Input at shaft A with max. speed 1,400 min⁻¹ (output speed max. 700 min⁻¹).

Gearing up: Input at shaft B/C with max. speed 750 min⁻¹ (output speed max. 1,500 min⁻¹).