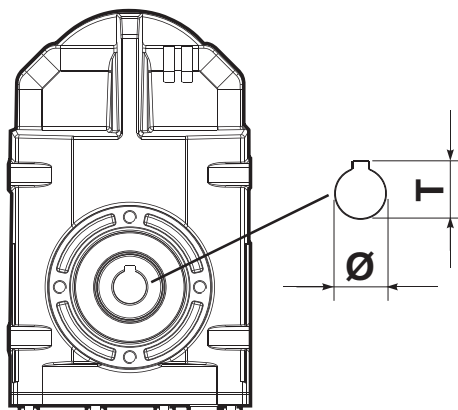


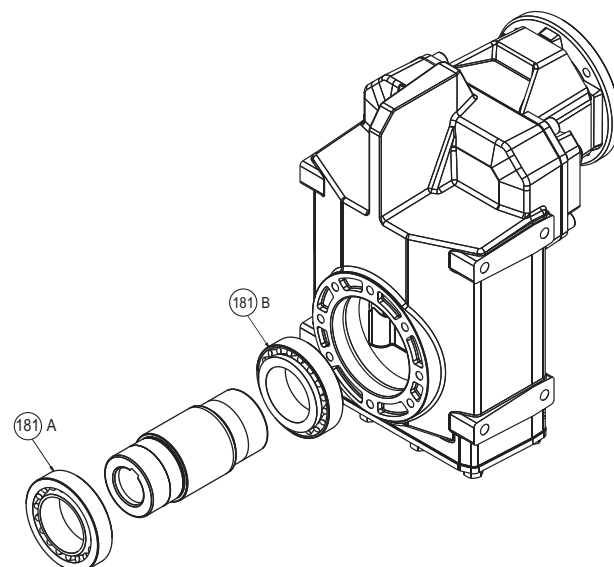


FA Alberi di uscita a richiesta e dimensione chiavetta ribassata
 Output shaft on request (with reduced key)
 Abtriebswellen auf Anfrage mit abgeflachtem Federkeil
 Arbres lents sur demande et taille de la clavette abaissée
 Árboles de salida a pedido y dimensión claveta menor



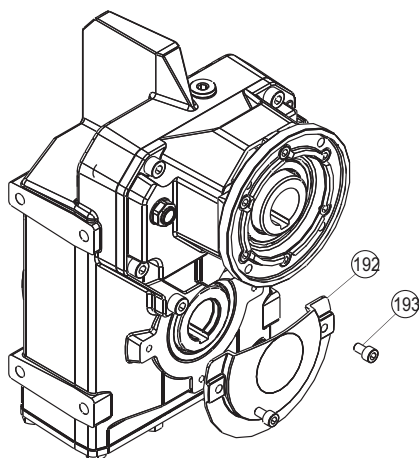
	F32/3	F42/3	F52/3	F62/3
On request	20	25	30	35
Reduced Key	30 T=32.8	35 T=37.8	40 T=42.8	

FB Cuscinetti conici sull' albero di uscita
 Taper roller bearings on the output shaft
 Schwere Kugellager an Antriebsseite
 Roulements coniques sur l' arbre de sortie
 Rodamientos cónicos en el árbol de salida



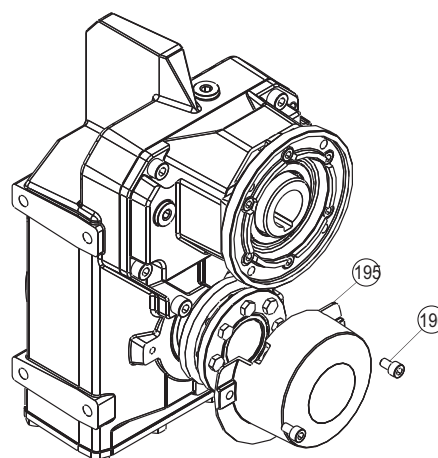
	F32/3	F42/3	F52/3	F62/3
181 A	32008	32009	32010	30211
181 B				

FC Coperchio di protezione albero uscita
 Protection cup for output shaft
 Schutzdeckel für Abtriebswelle
 Couvercle de protection arbre lent
 Tapa de protección árbol salida



	F32/3	F42/3	F52/3	F62/3
192	F40.0.209	F40.0.209	F50.0.209	F60.0.209
193	T.C.E.I. M6x10	T.C.E.I. M6x10	T.C.E.I. M6x10	T.C.E.I. M8x12

FD Coperchio di protezione per calettatore
 Protection cup for shrink disk
 Schutzabdeckung für Schrumpfscheibe
 Couvercle de protection pour frette de serrage
 Tapa de protección para ensamblador

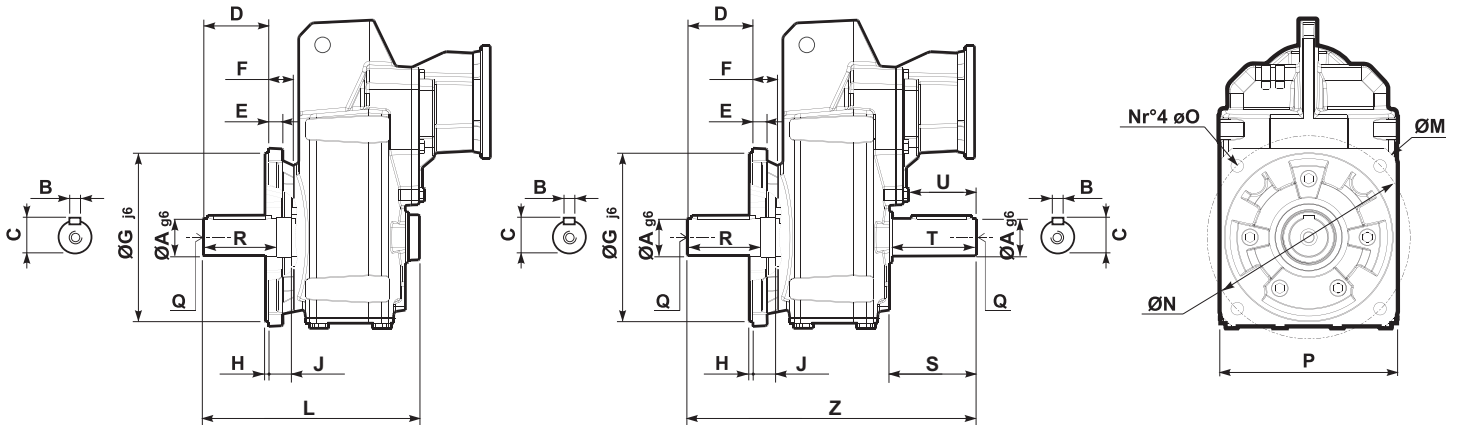


	F32/3	F42/3	F52/3	F62/3
195	F40.0.210	F40.0.210	F50.0.210	F60.0.210
196	T.C.E.I. M6x10	T.C.E.I. M6x10	T.C.E.I. M6x10	T.C.E.I. M8x12



Single Output Shaft

Double Output Shaft

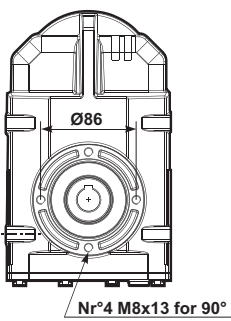


	M	A g6	B	C	D	E	F	G j6	H	J	L	N	O	P	Q	R	S	T	U	Z
F32	160*	25	8	28	39.5	10	25	110	3.5	20	159.5	130	8.5	147	M8x20	52	51.5	49.2	38.4	200
F33	200							130				11	147							
F42	160	30	8	33	49.5	10	26.5	110	3.5	24	183.5	130	8.5	147	M10x23	60	76	72.4	65.4	247.5
F43	200*					11		147				165	11	147						
F52	200*	35	10	38	48.5	10	28	130	3.5	25	217.1	165	11	190	M10x23	60	91	85.9	74	282
F53	250					15		180				4	200	13.5						
F62	200	40	12	43	70	10	16.5	130	3.5	23.5	230.5	165	11	190	M12x32	80	96.5	90.9	73.6	312
F63	250*					15		180				4	200	13.5						

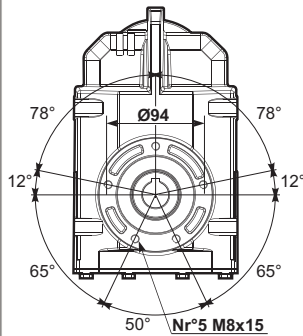
* Flangia uscita standard / Output flange standard

DIMENSIONI MONTAGGIO FB
FACE MOUNTING DIMENSIONS

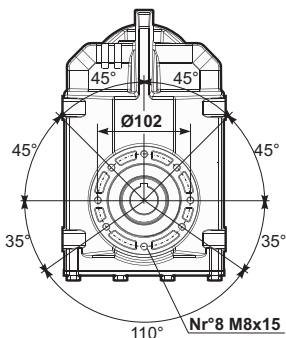
F32/3A



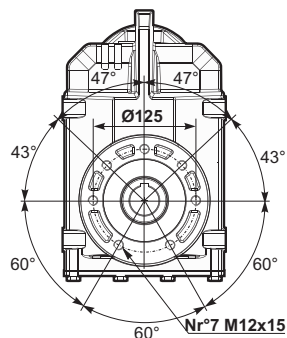
F42/3A



F52/3A

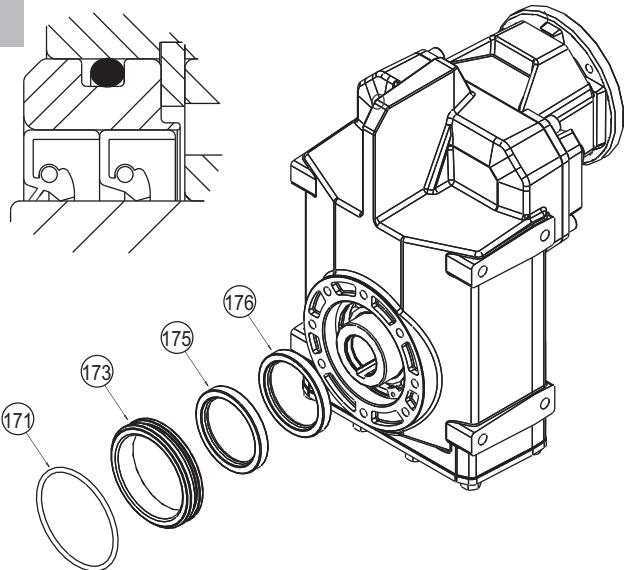


F62/3C

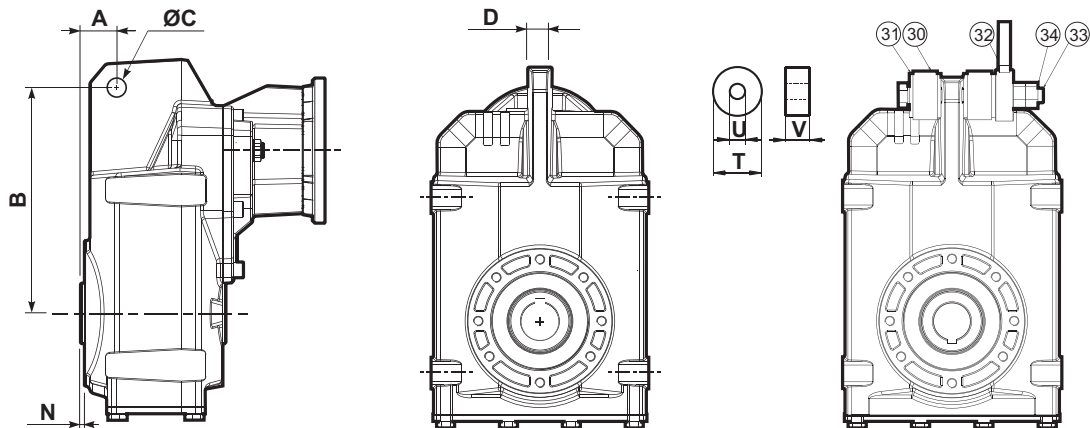


KIT PER DOPPIO ANELLO USCITA
DUBLE OIL SEAL KIT FOR OUTPUT SHAFT

FE



	F32/3	F42/3	F52/3	F62/3
171	OR 63.17x2.62	OR 68.26x3.53	OR 73.03x3.53	OR 89.69x5.34
173	F30.0.271	F40.0.271	F50.0.271	F60.0.271
175	40/52/7	45/60/7	50/65/8	55/80/8
176				



F32/3		Standard Dimensions							
Code		A	B	C	D	N	T	U	V
ST	F27	25	140	14	16	5	40	12.5	20

F42/3		Standard Dimensions							
Code		A	B	C	D	N	T	U	V
ST	F37	31.5	158	14	16	2.5	40	12.5	20

F32/3		On Request							
Code		A	B	C	D	N	T	U	V
S2	F37	31.5	158	14	16	5	40	12.5	20
B1	F10	35	140	11	16	5	30	11	20
B2	F20	40	160	11	16	5	30	11	20
N1	N0182	20	120	11	16	5	40	12.5	20
N2	N0282	28	158	11	16	5	40	12.5	20
L1	GFL04	22.5	128	12.5	16	5	30	11	20

F42/3		On Request							
Code		A	B	C	D	N	T	U	V
S3	F47	32	170	14	16	2.5	40	12.5	20
B1	F10	35	140	11	16	2.5	30	11	20
B2	F20	40	160	11	16	2.5	30	11	20
N2	N0282	28	158	11	16	2.5	30	11	20
N3	N1282	34	165	11	16	2.5	30	11	20
N4	N1382	34	165	11	16	2.5	30	11	20
F1	Fd38	36.5	157	10.5	16	2.5	40	12.5	20
D1	db.F04	32	170	11	16	2.5	40	12.5	20
L1	GFL04	22.5	128	12.5	16	2.5	30	11	20
L2	GFL05	29	155	14	16	2.5	30	11	20

F52/3		Standard Dimensions							
Code		A	B	C	D	N	T	U	V
ST	F47	32	170	14	16	3	40	12.5	20

F62/3		Standard Dimensions							
Code		A	B	C	D	N	T	U	V
ST	F57	40.5	198	14	20	3	40	12.5	20

F52/3		On Request							
Code		A	B	C	D	N	T	U	V
S4	F57	40.5	198	14	16	3	40	12.5	20
B3	F30	54	170	13	16	3	40	12.5	20
N4	N1382	34	165	11	16	3	30	11	20
F1	Fd38	36.5	157	10.5	16	3	40	12.5	20
F2	Fd48	53	185	14	16	3	40	12.5	20
D1	db.F04	32	170	11	16	3	40	12.5	20
L1	GFL04	29	155	14	16	3	30	11	20
L2	GFL05	29	155	14	16	3	30	11	20

F62/3		On Request							
Code		A	B	C	D	N	T	U	V
B3	F30	54	170	14	20	3	40	12.5	20
B4	F40	56.5	218	14	20	3	40	12.5	20
N5	N2282	38	211	14	20	3	40	12.5	20
F2	Fd48	53	185	14	20	3	40	12.5	20
D2	db.F06	41	218	14	20	3	40	12.5	20
L2	GFL05	29	155	14	20	3	40	11	20
L3	GFL06	35	195	14	20	3	40	12.5	20