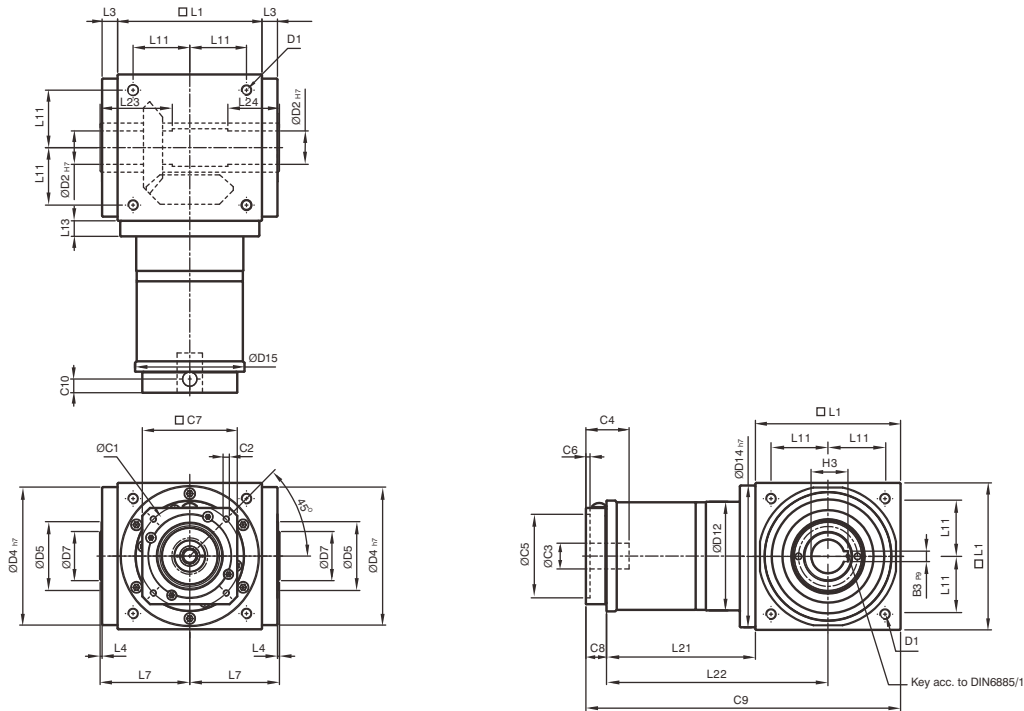


Dimensions (2-stage, Ratio $i=7\sim 50$) AT-FH / ATB-FH Series



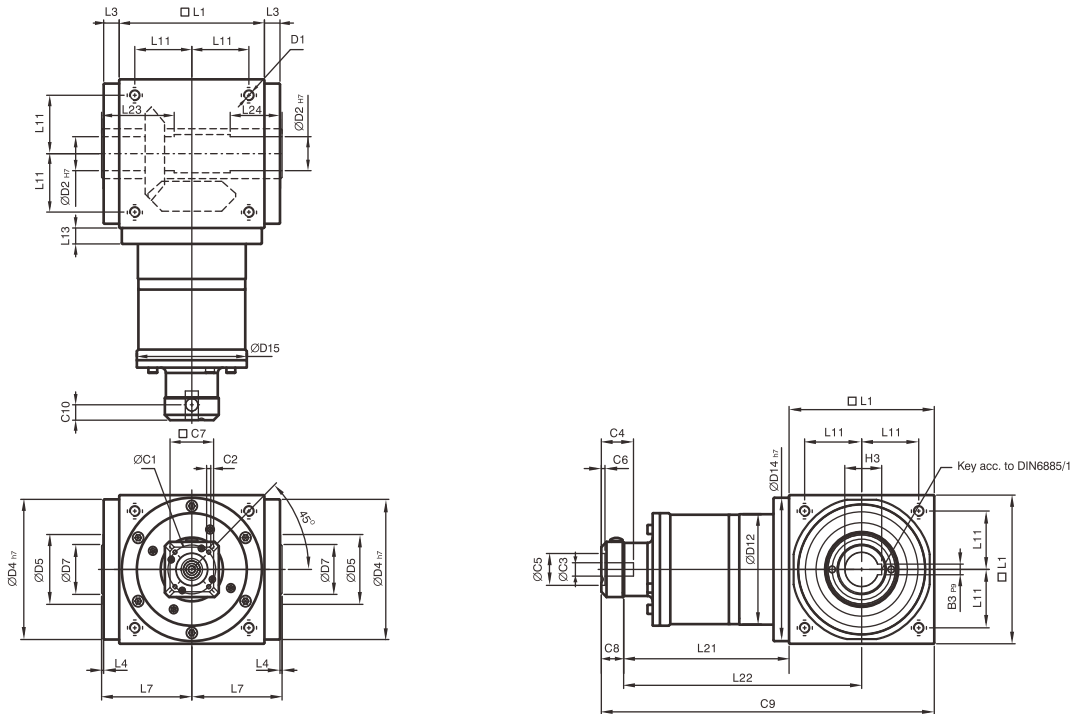
* The dimensions of ATB series are identical to AT series

[unit: mm]

Dimension	AT065FH	AT075FH	AT090FH	AT110FH	AT140FH	AT170FH	AT210FH	AT240FH	AT280FH
D1	M4	M6	M6	M8	M10	M12	M16	M16	M16
D2 H7	13	14	18	22	32	40	50	55	60
D4 h7	63	73	88	108	135	165	205	235	275
D5	31	35	43	53	68	83	104	124	144
D7	21	22	28	33	47	55	75	85	110
D12	62	72	86	106	104	128	160	180	200
D14 h7	63	73	88	108	135	165	205	235	275
D15	62.9	72.9	87	107	106	130	158	178	198
L1	65	75	90	110	140	170	210	240	280
L3	13	14.5	15	15	15	15	20	25	25
L4	2	2	2	2	2	2	2	2	2
L7	47.5	54	62	72	87	102	127	147	167
L11	27	30	36	44	55	67	85	95	110
L13	13	15	15	15	15	15	20	25	25
L21	75	84.5	99	122	144.5	157.5	206.5	239	248
L22	107.5	122	144	177	214.5	242.5	311.5	359	388
L23	40	47	52	53	70	80	95	115	115
L24	30	32	35	35	50	55	65	80	80
C1 ¹¹	46	46	70	100	100	100	130	165	165
C2 ¹¹	M4	M4	M5	M6	M6	M6	M8	M10	M10
C3 ¹¹	≤12	≤12	≤16	≤24	≤24	≤24	≤32	≤38	≤38
C4 ¹¹	30	30	34	40	40	40	50	60	60
C5 ¹¹	30	30	50	80	80	80	110	130	130
C6 ¹¹	3.5	3.5	8	4	4	4	5	6	6
C7 ¹¹	42	42	60	92	92	92	115	142	142
C8 ¹¹	21.5	21.5	21.5	20	20	20	24	31	31
C9 ¹¹	161.5	181	210.5	252	304.5	347.5	440.5	510	559
C10 ¹¹	14.5	14.5	15.5	13	13	13	16	21	21
B3 P9	5	5	6	6	10	12	14	16	18
H3	15.3	16.3	20.8	24.8	35.3	43.3	53.8	59.3	64.4

11. C1~C10 are motor specific dimensions (metric std shown). Refer to www.apexdyna.com and design Tool to view your specific motor mounting system.

Dimensions (3-stage, Ratio $i=75\sim500$) AT-FH / ATB-FH Series



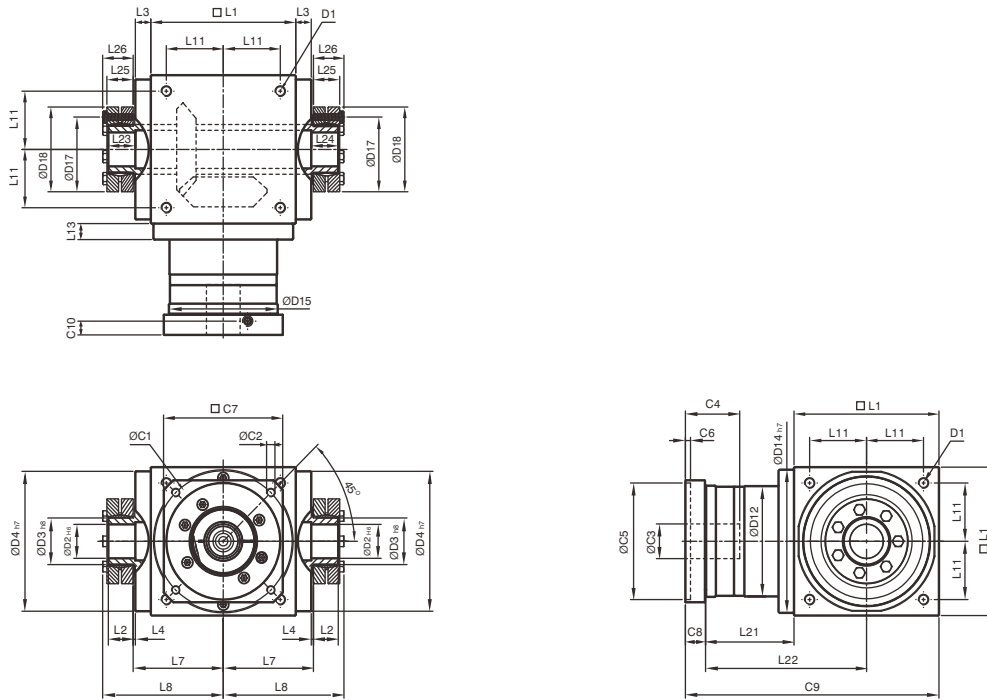
* The dimensions of ATB series are identical to AT series.

[unit: mm]

Dimension	AT110FH	AT140FH	AT170FH	AT210FH	AT240FH	AT280FH
D1	M8	M10	M12	M16	M16	M16
D2 _{H7}	22	32	40	50	55	60
D4 _{H7}	108	135	165	205	235	275
D5	53	68	83	104	124	144
D7	33	47	55	75	85	110
D12	106	104	128	160	180	200
D14 _{H7}	108	135	165	205	235	275
D15	107	106	130	158	178	198
L1	110	140	170	210	240	280
L3	15	15	15	20	25	25
L4	2	2	2	2	2	2
L7	72	87	102	127	147	167
L11	44	55	67	85	95	110
L13	15	15	15	20	25	25
L21	136.5	159.5	183.5	226	269	278
L22	191.5	229.5	268.5	331	389	418
L23	53	70	80	95	115	115
L24	35	50	55	65	80	80
C1 ¹²	46	46	70	70	100	100
C2 ¹²	M4	M4	M5	M5	M6	M6
C3 ¹²	≤12	≤12	≤16	≤16	≤24	≤24
C4 ¹²	30	30	34	34	40	40
C5 ¹²	30	30	50	50	80	80
C6 ¹²	3.5	3.5	8	8	4	4
C7 ¹²	42	42	60	60	92	92
C8 ¹²	21.5	21.5	21.5	21.5	20	20
C9 ¹²	268	321	375	457.5	529	578
C10 ¹²	14.5	14.5	15.5	15.5	13	13
B3 _{P9}	6	10	12	14	16	18
H3	24.8	35.3	43.3	53.8	59.3	64.4

12. C1~C10 are motor specific dimensions (metric std shown). Refer to www.apexdyna.com and design tool to view your specific motor mounting system.

Dimensions (1-stage, Ratio i=1~5) AT-FC / ATB-FC Series



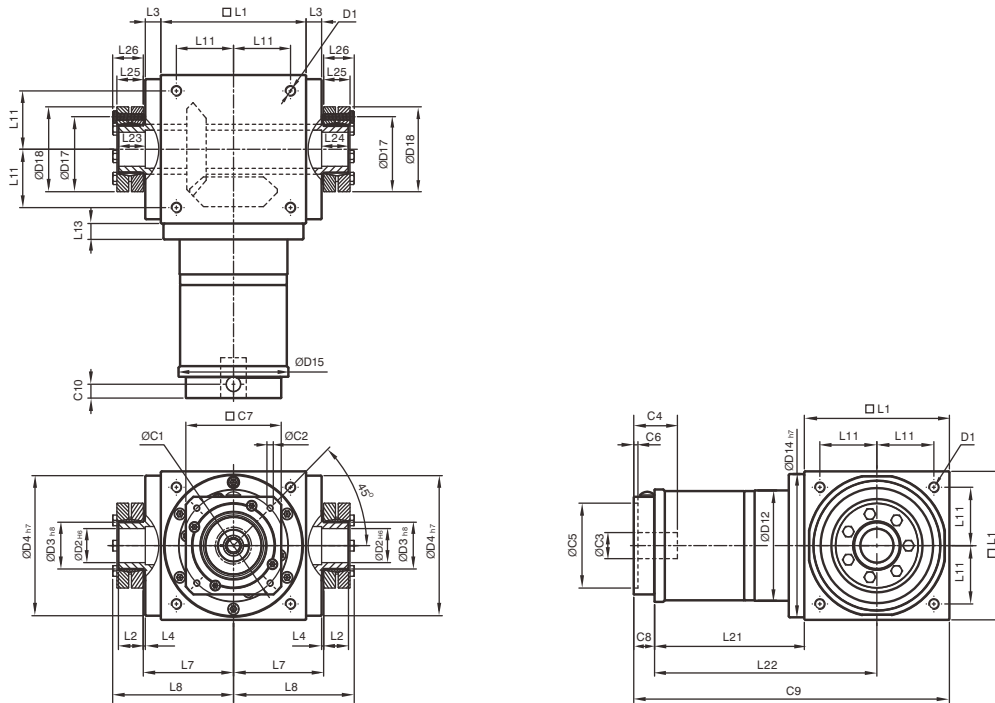
* The dimensions of ATB series are identical to AT series.

[unit: mm]

Dimension	AT065FC	AT075FC	AT090FC	AT110FC	AT140FC	AT170FC	AT210FC	AT240FC	AT280FC
D1	M4	M6	M6	M8	M10	M12	M16	M16	M16
D2 H6	13	14	18	22	32	40	50	55	60
D3 h8	16	16	22	25	44	50	62	68	75
D4 h7	63	73	88	108	135	165	205	235	275
D12	62	72	86	106	104	128	160	180	200
D14 h7	63	73	88	108	135	165	205	235	275
D15	62.9	72.9	87	107	105	130	158	178	198
D17	26	26	36	38	61	70	86	86	100
D18	41	41	50	50	80	90	110	115	138
L1	65	75	90	110	140	170	210	240	280
L2	14	14	18	18	24	26	29	29	30.5
L3	13	14.5	15	15	15	15	20	25	25
L4	2	2	2	2	2	2	2	2	2
L7	47.5	54	62	72	87	102	127	147	167
L8	66	72.5	85	95	116.5	133.5	161.5	181.5	205
L11	27	30	36	44	55	67	85	95	110
L13	13	15	15	15	15	15	20	25	25
L21	49	60.5	63	69.5	85.5	95	130	144.5	135
L22	81.5	98	108	124.5	155.5	180	235	264.5	275
L23	15	15	20	20	26	28	31	31	32.5
L24	15	15	20	20	26	28	31	31	32.5
L25	15	15	19.5	19.5	25.5	27.5	30.5	30.5	32.5
L26	18.5	18.5	23	23	29.5	31.5	34.5	34.5	38
C1 ¹³	46	70	100	100	130	165	215	215	235
C2 ¹³	M4	M5	M6	M6	M8	M10	M12	M12	M12
C3 ¹³	≤11 / ≤12 ¹⁴	≤14 / ≤15.875 / ≤16 ¹⁴	≤19	≤24	≤32	≤38	≤42	≤48	≤55
C4 ¹³	30	34	40	40	50	60	85	85	116
C5 ¹³	30	50	80	80	110	130	180	180	200
C6 ¹³	3.5	8	4	4	5	6	6	6	6
C7 ¹³	42	60	90	90	115	142	190	190	220
C8 ¹³	19.5	19	17	17	19.5	22.5	29	29	63
C9 ¹³	133.5	154.5	170	196.5	245	287.5	369	413.5	478
C10 ¹³	13.25	13.5	10.75	10.75	13	15	20.75	20.75	53.5

13. C1~C10 are motor specific dimensions (metric std shown). Refer to www.apexdyna.com and design tool to view your specific motor mounting system.
 14. AT065FCM1 offers C3 ≤12 option; AT075FCM1 offers C3 ≤16 option; AT075FCM2 offers C3 ≤15.875 option.

Dimensions (2-stage, Ratio $i=7\sim 50$) AT-FC / ATB-FC Series



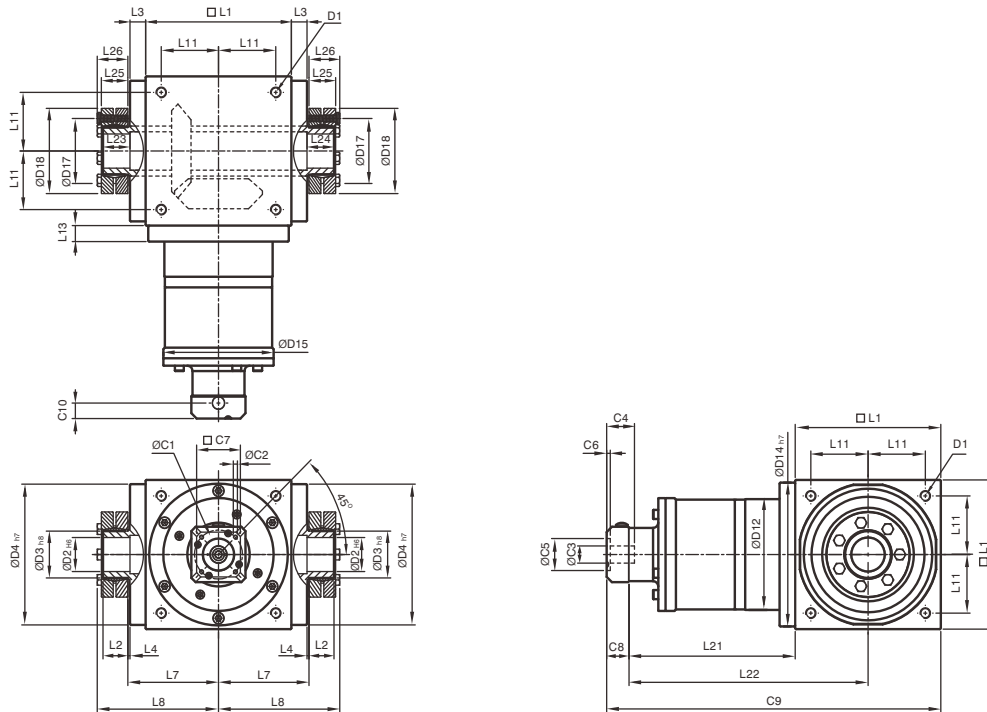
* The dimensions of ATB series are identical to AT series.

[unit: mm]

Dimension	AT065FC	AT075FC	AT090FC	AT110FC	AT140FC	AT170FC	AT210FC	AT240FC	AT280FC
D1	M4	M6	M6	M8	M10	M12	M16	M16	M16
D2 ^{h6}	13	14	18	22	32	40	50	55	60
D3 ^{h8}	16	16	22	25	44	50	62	68	75
D4 ^{h7}	63	73	88	108	135	165	205	235	275
D12	62	72	86	106	104	128	160	180	200
D14 ^{h7}	63	73	88	108	135	165	205	235	275
D15	62.9	72.9	87	107	106	130	158	178	198
D17	26	26	36	38	61	70	86	86	100
D18	41	41	50	50	80	90	110	115	138
L1	65	75	90	110	140	170	210	240	280
L2	14	14	18	18	24	26	29	29	30.5
L3	13	14.5	15	15	15	15	20	25	25
L4	2	2	2	2	2	2	2	2	2
L7	47.5	54	62	72	87	102	127	147	167
L8	66	72.5	85	95	116.5	133.5	161.5	181.5	205
L11	27	30	36	44	55	67	85	95	110
L13	13	15	15	15	15	15	20	25	25
L21	75	84.5	99	122	144.5	157.5	206.5	239	248
L22	107.5	122	144	177	214.5	242.5	311.5	359	388
L23	15	15	20	20	26	28	31	31	32.5
L24	15	15	20	20	26	28	31	31	32.5
L25	15	15	19.5	19.5	25.5	27.5	30.5	30.5	32.5
L26	18.5	18.5	23	23	29.5	31.5	34.5	34.5	38
C1 ¹⁵	46	46	70	100	100	100	130	165	165
C2 ¹⁵	M4	M4	M5	M6	M6	M6	M8	M10	M10
C3 ¹⁵	≤12	≤12	≤16	≤24	≤24	≤24	≤32	≤38	≤38
C4 ¹⁵	30	30	34	40	40	40	50	60	60
C5 ¹⁵	30	30	50	80	80	80	110	130	130
C6 ¹⁵	3.5	3.5	8	4	4	4	5	6	6
C7 ¹⁵	42	42	60	92	92	92	115	142	142
C8 ¹⁵	21.5	21.5	21.5	20	20	20	24	31	31
C9 ¹⁵	161.5	181	210.5	252	304.5	347.5	440.5	510	559
C10 ¹⁵	14.5	14.5	15.5	13	13	13	16	21	21

15. C1~C10 are motor specific dimensions (metric std shown). Refer to www.apexdyna.com and design tool to view your specific motor mounting system.

Dimensions (3-stage, Ratio $i=75\sim 500$) AT-FC / ATB-FC Series



* The dimensions of ATB series are identical to AT series.

[unit: mm]

Dimension	AT110FC	AT140FC	AT170FC	AT210FC	AT240FC	AT280FC
D1	M8	M10	M12	M16	M16	M16
D2 ^{h6}	22	32	40	50	55	60
D3 ^{h8}	25	44	50	62	68	75
D4 ^{h7}	108	135	165	205	235	275
D12	106	104	128	160	180	200
D14 ^{h7}	108	135	165	205	235	275
D15	107	106	130	158	178	198
D17	38	61	70	86	86	100
D18	50	80	90	110	115	138
L1	110	140	170	210	240	280
L2	18	24	26	29	29	30.5
L3	15	15	15	20	25	25
L4	2	2	2	2	2	2
L7	72	87	102	127	147	167
L8	95	116.5	133.5	161.5	181.5	205
L11	44	55	67	85	95	110
L13	15	15	15	20	25	25
L21	136.5	159.5	183.5	226	269	278
L22	191.5	229.5	268.5	331	389	418
L23	20	26	28	31	31	32.5
L24	20	26	28	31	31	32.5
L25	19.5	25.5	27.5	30.5	30.5	32.5
L26	23	29.5	31.5	34.5	34.5	38
C1 ¹⁶	46	46	70	70	100	100
C2 ¹⁶	M4	M4	M5	M5	M6	M6
C3 ¹⁶	≤12	≤12	≤16	≤16	≤24	≤24
C4 ¹⁶	30	30	34	34	40	40
C5 ¹⁶	30	30	50	50	80	80
C6 ¹⁶	3.5	3.5	8	8	4	4
C7 ¹⁶	42	42	60	60	92	92
C8 ¹⁶	21.5	21.5	21.5	21.5	20	20
C9 ¹⁶	268	321	375	457.5	529	578
C10 ¹⁶	14.5	14.5	15.5	15.5	13	13

16. C1~C10 are motor specific dimensions (metric std shown). Refer to www.apexdyna.com and design tool to view your specific motor mounting system.