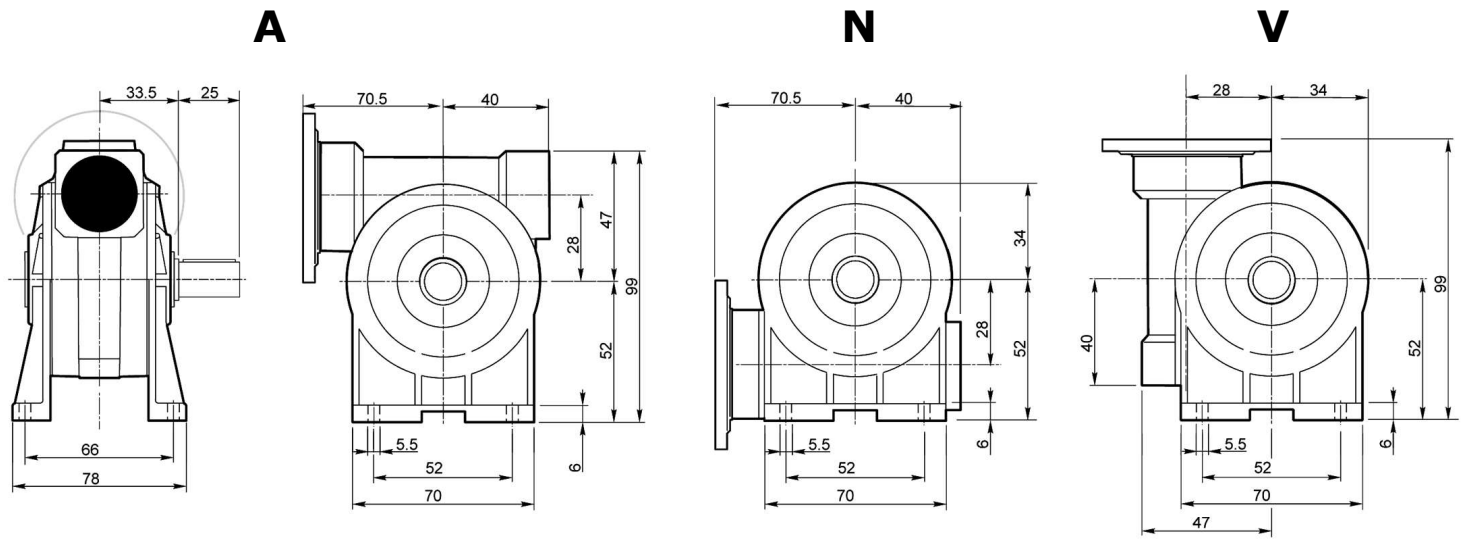
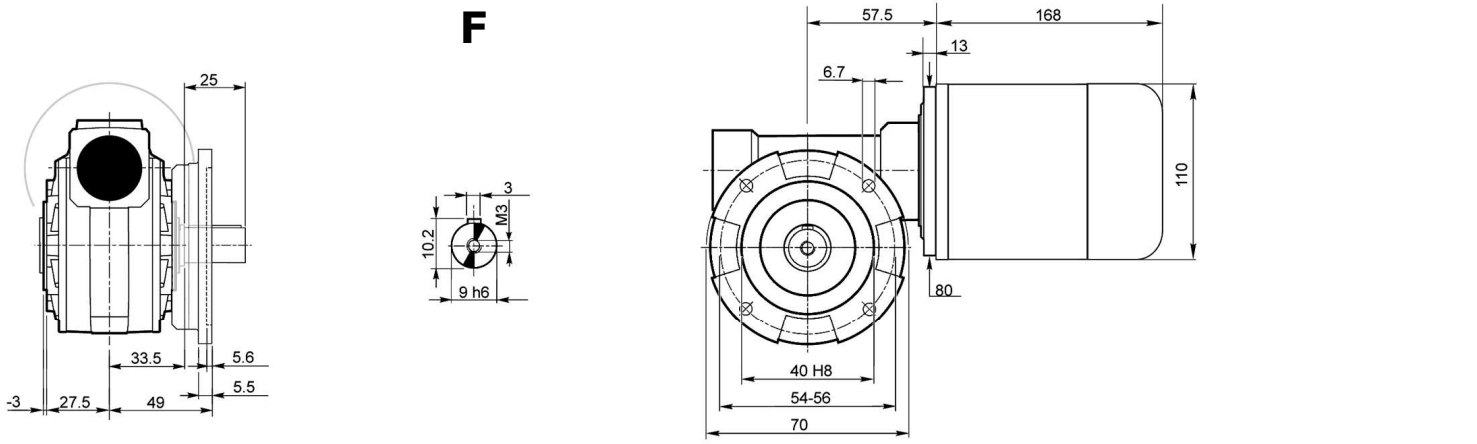


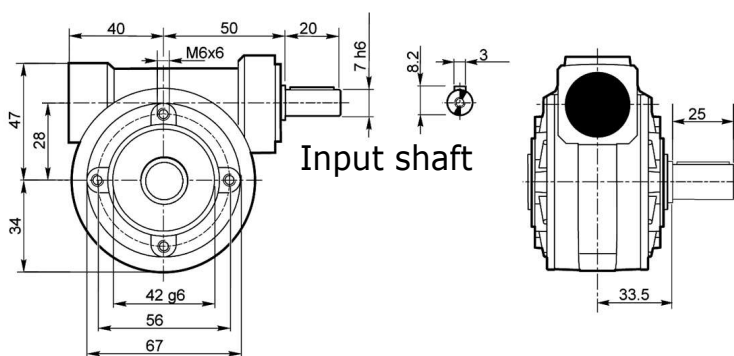
SVF 28

| Ratio | 7 | 10 | 15 | 20 | 28 | 40 | 49 | 56 | 70 | 80 | 100 |
|--------------|------|------|------|------|------|------|------|------|------|------|------|
| Nm (1400rpm) | 18 | 18 | 18 | 16 | 20 | 17 | 17 | 15 | 12 | 12 | 8 |
| R.D. | 0.86 | 0.83 | 0.79 | 0.77 | 0.69 | 0.64 | 0.61 | 0.54 | 0.49 | 0.49 | 0.46 |

The weight: 1.2 kg



P ... HS



Single output shaft

