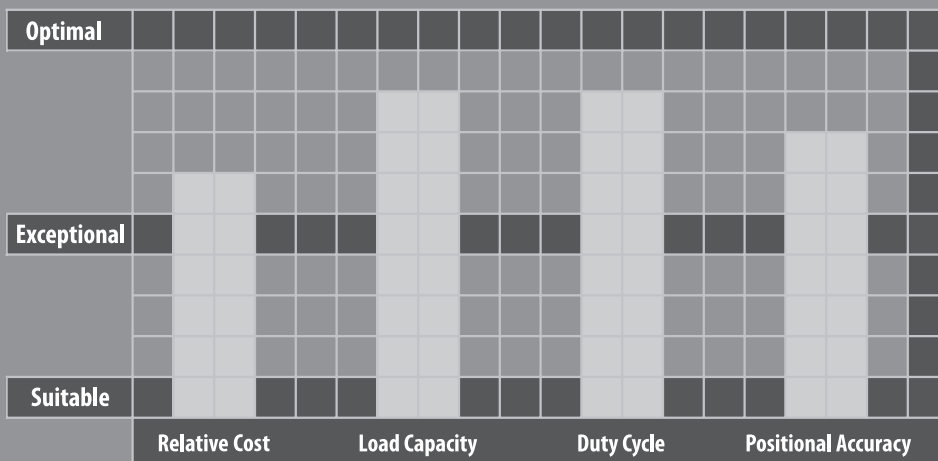
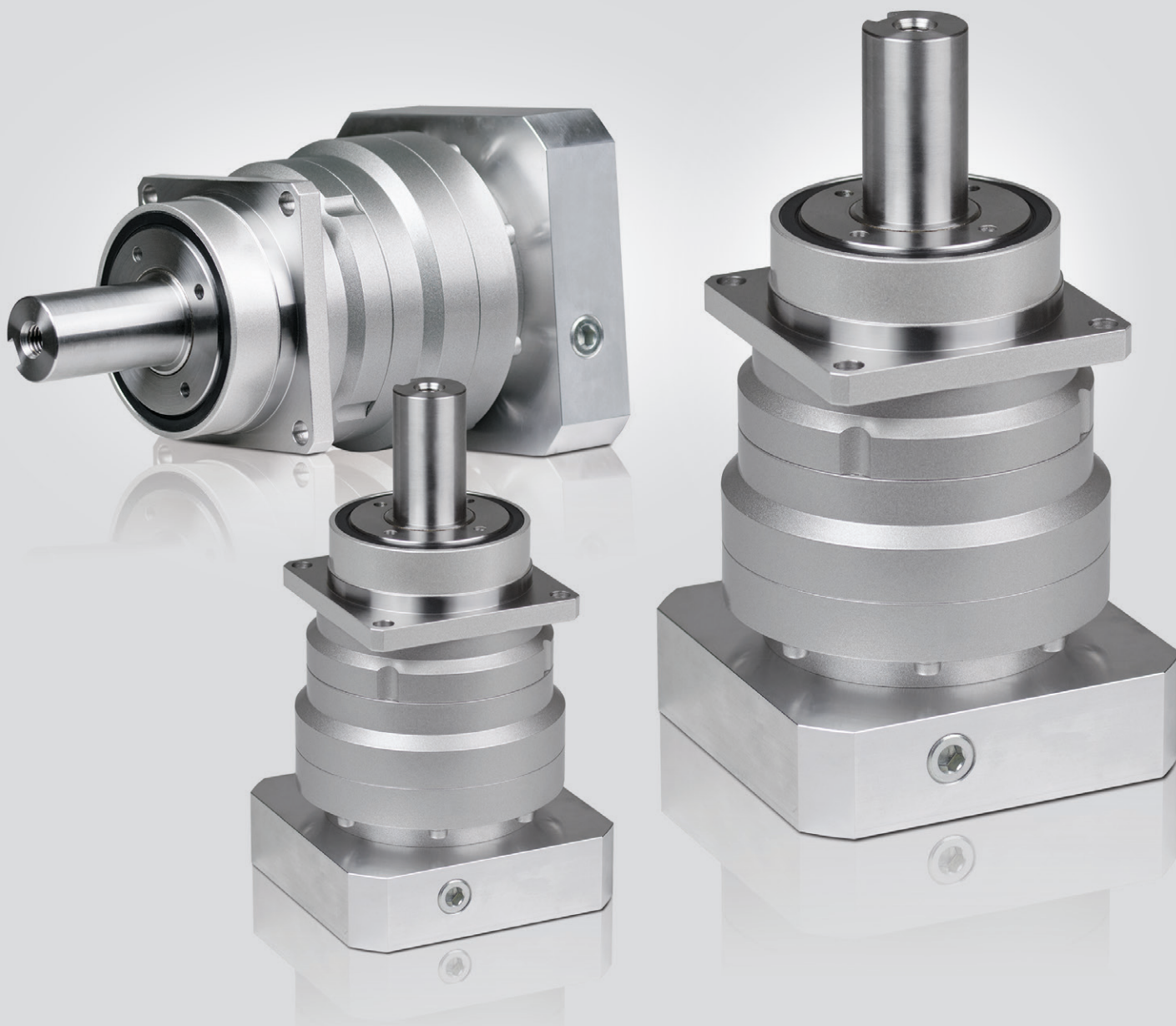


VRS SERIES

Compact and precise, the VRS is the ideal solution for demanding positioning accuracy and speed requirements. This product is a proven performer in higher speed, continuous duty applications where heat reduction is critical. Equipped with two rows of robust tapered roller bearings, the VRS runs smoothly and quietly even with the most challenging dynamic and static forces.

The VRS is available with reduced backlash, less than 2 arc-min, to handle dynamic machine tool and robotic applications with ease. With maximum acceleration torques up to 3700Nm, this product is an excellent partner to higher capacity servomotor models. Our customers specify this product when the industry standard is simply not good enough.



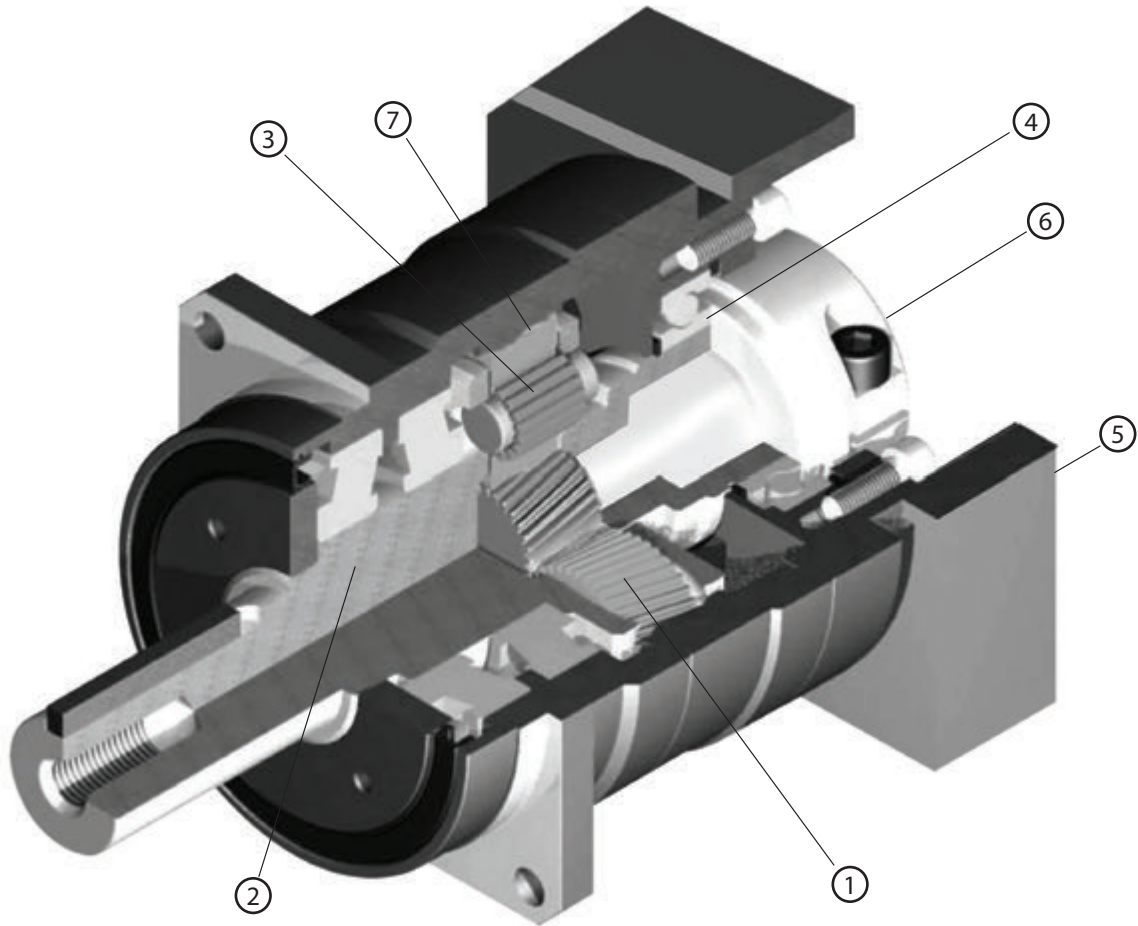


VRS SERIES

- ▶ Proven performer in high end motion control applications with demanding accuracy requirements
- ▶ Excellent fit for difficult overhung load situations or continuous duty cycles
- ▶ The widest range of frame sizes and ratios available in the market
- ▶ Best-In-class standard backlash (≤ 3 arc-min) with reduced backlash options available
- ▶ Broad range of mounting adapters offer a simple, precise attachment to any motor
- ▶ Maintenance-free solution that is lubricated for life. High performance grease allows flexible mounting in any orientation
- ▶ Industry standard through-bolt mounting style
- ▶ Assembled in the USA

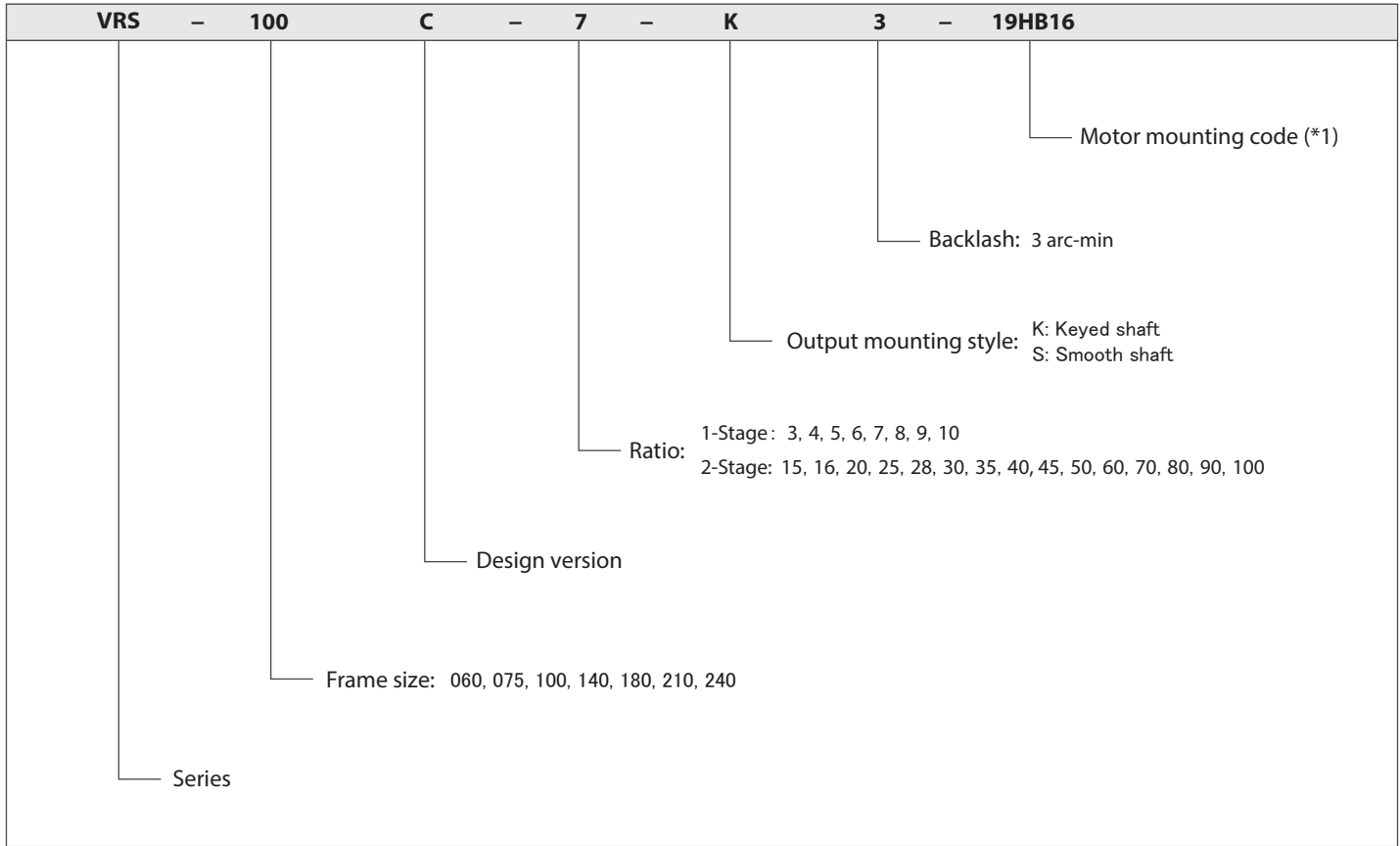
VRS SERIES Inline Planetary

VRS Series Features



- ① Carburized helical gears with proprietary secondary finishing process for higher accuracy and smooth, quiet operation
- ② One piece output shaft and planet carrier with two robust tapered bearings. Higher radial/axial load capacity, stiffness, torque density and safety factor, with guaranteed alignment of gearing
- ③ Uncaged needle roller bearings provide excellent torque density and torsional rigidity
- ④ Unique labyrinth input seal design greatly reduces heat and increases system efficiency. IP65 protection is available for wash down applications
- ⑤ Optimized mounting system with active centering on motor pilot diameter guarantees alignment of motor. Motor can be installed in any orientation
- ⑥ True concentric motor shaft clamping connection, optimized for your specific motor. Reduced inertia for dynamic performance and balanced for high speed operation
- ⑦ Ring gear machined directly into the housing, not welded or pressed in. Provides greater concentricity and elimination of speed fluctuation

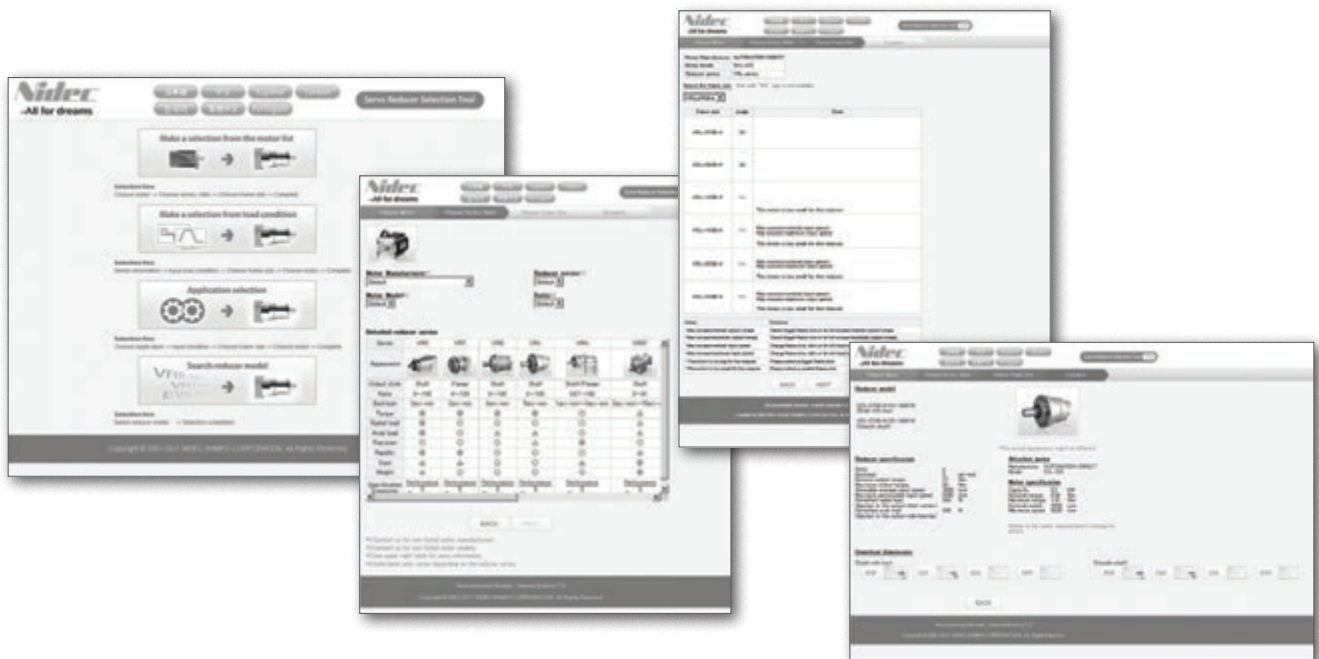
VRS Series Model Code



VRS

*1) Motor mounting code varies depending on the motor. Use the selection tool link below to configure the code.

Contact us for additional information or refer to our online gearhead selection tool.
Selection tool www.nidec-shimpo.co.jp/selection/eng



VRS SERIES Inline Planetary

VRS o60 1-Stage Specifications

Frame Size	060									
Ratio	Unit	Note	3	4	5	6	7	8	9	10
Nominal Output Torque	[Nm]	*1	19	27	28	28	28	28	28	28
Maximum Acceleration Torque	[Nm]	*2	46	66	66	66	66	66	46	46
Maximum Torque	[Nm]	*3	55	79	79	79	79	76	55	55
Emergency Stop Torque	[Nm]	*4	80	100	100	100	100	100	80	80
Nominal Input Speed	[rpm]	*5	3300	3300	4000	4000	4000	4000	4000	4000
Maximum Input Speed	[rpm]	*6	7500	7500	7500	7500	7500	7500	7500	7500
No Load Running Torque	[Nm]	*7	0.15							
Maximum Radial Load	[N]	*8	3000							
Maximum Axial Load	[N]	*9	2700							
Moment of Inertia ($\leq \emptyset 8$)	[kgcm ²]	--	0.15	0.10	0.080	0.070	0.064	0.060	0.058	0.056
Moment of Inertia ($\leq \emptyset 14$)	[kgcm ²]	--	0.26	0.21	0.19	0.18	0.18	0.17	0.17	0.17
Moment of Inertia ($\leq \emptyset 19$)	[kgcm ²]	--	0.54	0.49	0.47	0.46	0.45	0.45	0.45	0.44
Efficiency	[%]	*10	95							
Torsional Rigidity	[Nm/arc-min]	*11	3.5							
Maximum Torsional Backlash	[arc-min]	--	Standard ≤ 3 / Reduced ≤ 2							
Noise Level	dB [A]	*12	≤ 66							
Protection Class	--	*13	IP54 (IP65)							
Ambient Temperature	[°C]	--	0-40							
Permitted Housing Temperature	[°C]	--	90							
Weight	[kg]	*14	1.6							

VRS o60 2-Stage Specifications

Frame Size	060									
Ratio	Unit	Note	15	16	20	25	28	30	35	40
Nominal Output Torque	[Nm]	*1	25	32	32	43	45	32	45	45
Maximum Acceleration Torque	[Nm]	*2	46	66	66	66	66	46	66	66
Maximum Torque	[Nm]	*3	46	66	66	66	66	46	66	66
Emergency Stop Torque	[Nm]	*4	80	100	100	100	100	80	100	100
Nominal Input Speed	[rpm]	*5	4000	4000	4000	4000	4000	4000	4000	4000
Maximum Input Speed	[rpm]	*6	8500	8500	8500	8500	8500	8500	8500	8500
No Load Running Torque	[Nm]	*7	0.04							
Maximum Radial Load	[N]	*8	3000							
Maximum Axial Load	[N]	*9	2700							
Moment of Inertia ($\leq \emptyset 8$)	[kgcm ²]	--	0.064	0.070	0.062	0.062	0.068	0.052	0.061	0.051
Moment of Inertia ($\leq \emptyset 14$)	[kgcm ²]	--	0.18	0.18	0.17	0.17	0.18	0.16	0.17	0.16
Moment of Inertia ($\leq \emptyset 19$)	[kgcm ²]	--	0.45	0.46	0.45	0.45	0.46	0.44	0.45	0.44
Efficiency	[%]	*10	90							
Torsional Rigidity	[Nm/arc-min]	*11	3.5							
Maximum Torsional Backlash	[arc-min]	--	≤ 3							
Noise Level	dB [A]	*12	≤ 66							
Protection Class	--	*13	IP54 (IP65)							
Ambient Temperature	[°C]	--	0-40							
Permitted Housing Temperature	[°C]	--	90							
Weight	[kg]	*14	1.8							

VRS 060 2-Stage Specifications

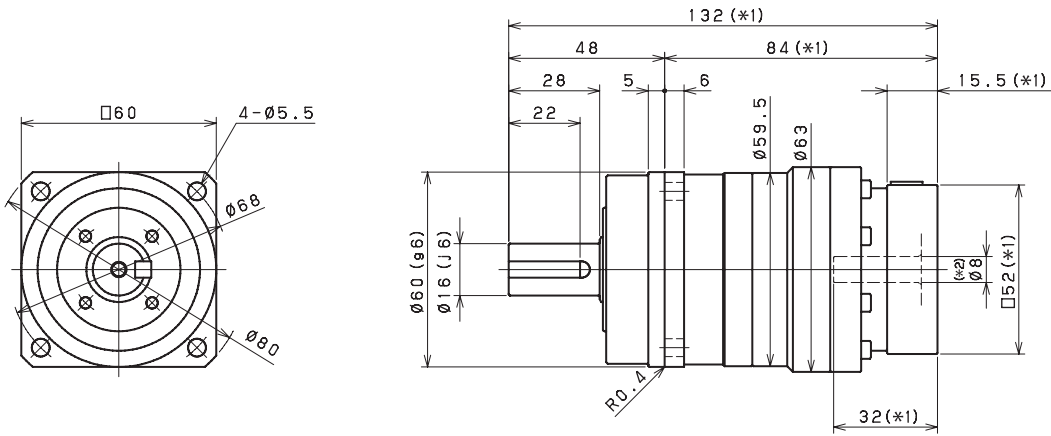
Frame Size	060										
Ratio	Unit	Note	45	50	60	70	80	90	100		
Nominal Output Torque	[Nm]	*1	32	45	45	45	45	32	32		
Maximum Acceleration Torque	[Nm]	*2	46	66	66	66	66	46	46		
Maximum Torque	[Nm]	*3	46	66	66	66	66	46	46		
Emergency Stop Torque	[Nm]	*4	80	100	100	100	100	80	80		
Nominal Input Speed	[rpm]	*5	4000	4800	4800	5500	5500	5500	5500		
Maximum Input Speed	[rpm]	*6	8500	8500	8500	8500	8500	8500	8500		
No Load Running Torque	[Nm]	*7	0.04								
Maximum Radial Load	[N]	*8	3000								
Maximum Axial Load	[N]	*9	2700								
Moment of Inertia (≤Ø 8)	[kgcm ²]	--	0.061	0.051	0.051	0.051	0.051	0.051	0.051		
Moment of Inertia (≤ Ø 14)	[kgcm ²]	--	0.17	0.16	0.16	0.16	0.16	0.16	0.16		
Moment of Inertia (≤ Ø 19)	[kgcm ²]	--	0.45	0.44	0.44	0.44	0.44	0.44	0.44		
Efficiency	[%]	*10	90								
Torsional Rigidity	[Nm/arc-min]	*11	3.5								
Maximum Torsional Backlash	[arc-min]	--	≤ 3								
Noise Level	dB [A]	*12	≤ 66								
Protection Class	--	*13	IP54 (IP65)								
Ambient Temperature	[°C]	--	0-40								
Permitted Housing Temperature	[°C]	--	90								
Weight	[kg]	*14	1.8								

- *1) At nominal input speed, service life is 20,000 hours
- *2) The maximum torque when starting or stopping operation. Permitted 100,000 times during service life
- *3) Permitted 10,000 times during service life. Based on 10% of maximum radial load and smooth output shaft
- *4) The maximum torque allowed under a stress situation. Permitted 1,000 times during service life
- *5) The average input speed at nominal input torque. Maintain housing temperature below permitted value
- *6) The maximum intermittent input speed
- *7) Torque at no load applied to the input shaft at nominal input speed
- *8) The maximum radial load that the gearbox can accept
- *9) The maximum axial load that the gearbox can accept
- *10) The efficiency at the nominal output torque rating
- *11) This does not include lost motion
- *12) Contact NIDEC-SHIMPO for the testing conditions and environment
- *13) IP65 (wash-down) is available as an option. Contact NIDEC-SHIMPO for more details
- *14) Weight may vary slightly between models

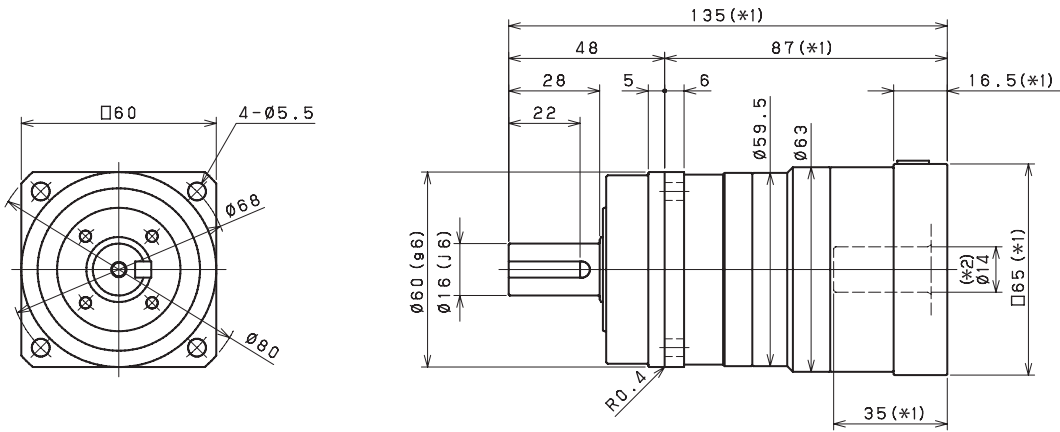
VRS SERIES Inline Planetary

VRS o60 1-Stage Dimensions

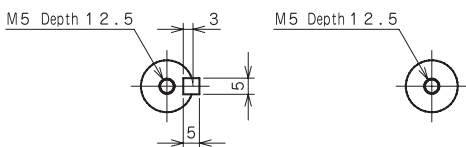
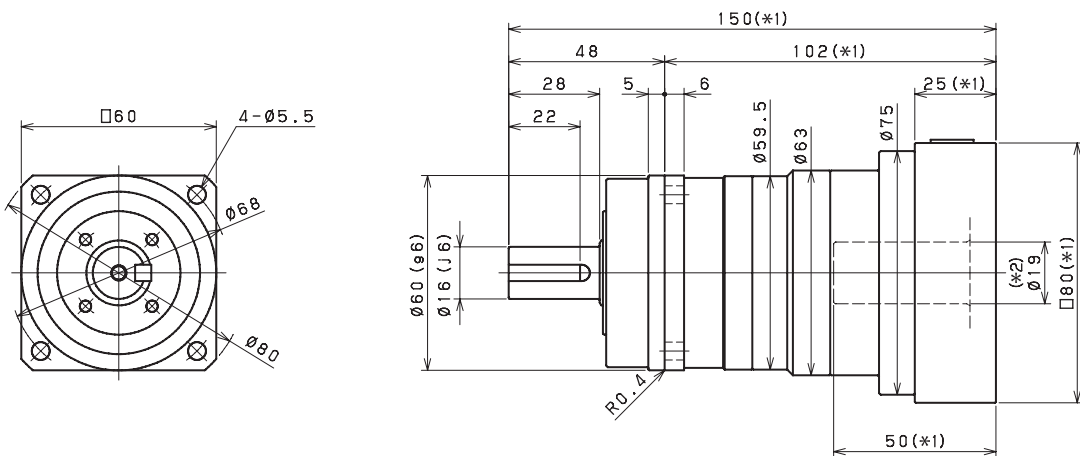
Input bore size $\leq \varnothing 8$ mm



Input bore size $\leq \varnothing 14$ mm



Input bore size $\leq \varnothing 19$ mm



Keyed shaft

Smooth shaft

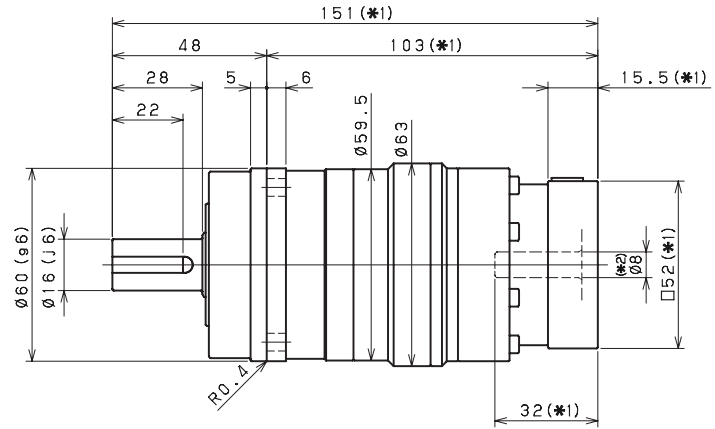
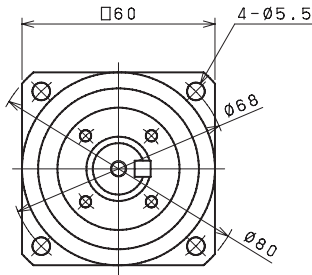
*1) Length will vary depending on motor

*2) Bushing will be inserted to adapt to motor shaft

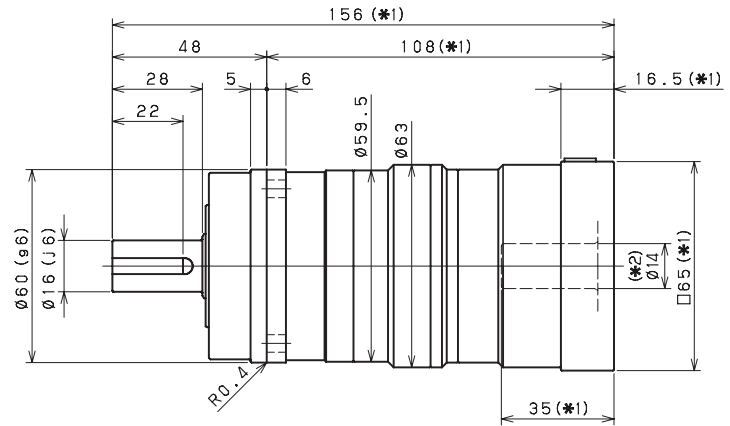
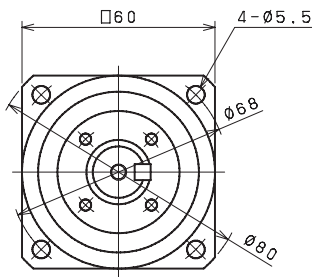
VRS o6o 2-Stage Dimensions

VRS

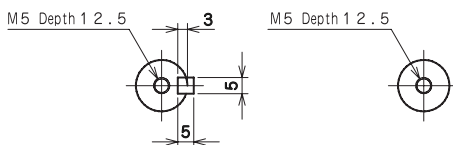
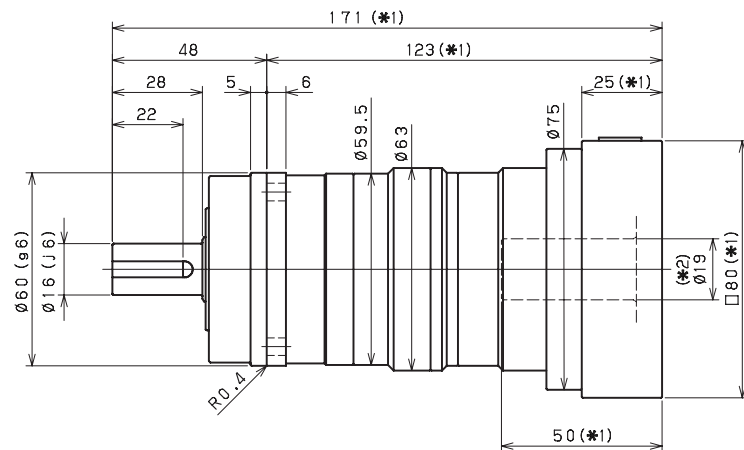
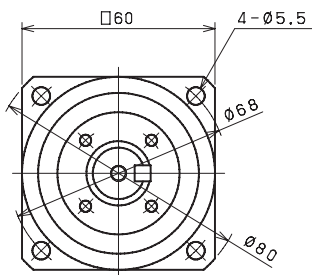
Input bore size $\leq \varnothing 8$ mm



Input bore size $\leq \varnothing 14$ mm



Input bore size $\leq \varnothing 19$ mm



Keyed shaft

Smooth shaft

*1) Length will vary depending on motor

*2) Bushing will be inserted to adapt to motor shaft

VRS SERIES Inline Planetary

VRS 075 1-Stage Specifications

Frame Size	075									
Ratio	Unit	Note	3	4	5	6	7	8	9	10
Nominal Output Torque	[Nm]	*1	53	77	84	84	84	84	84	84
Maximum Acceleration Torque	[Nm]	*2	108	165	165	165	165	165	112	112
Maximum Torque	[Nm]	*3	135	200	200	195	195	190	145	145
Emergency Stop Torque	[Nm]	*4	200	250	250	250	250	250	200	200
Nominal Input Speed	[rpm]	*5	2900	2900	2900	2900	3100	3100	3100	3100
Maximum Input Speed	[rpm]	*6	7500	7500	7500	7500	7500	7500	7500	7500
No Load Running Torque	[Nm]	*7	0.35							
Maximum Radial Load	[N]	*8	4300							
Maximum Axial Load	[N]	*9	3900							
Moment of Inertia ($\leq \varnothing 8$)	[kgcm ²]	--	--	--	--	--	--	--	--	--
Moment of Inertia ($\leq \varnothing 14$)	[kgcm ²]	--	0.68	0.48	0.39	0.34	0.32	0.31	0.30	0.29
Moment of Inertia ($\leq \varnothing 19$)	[kgcm ²]	--	1.1	0.87	0.79	0.74	0.72	0.71	0.70	0.69
Moment of Inertia ($\leq \varnothing 28$)	[kgcm ²]	--	2.9	2.6	2.6	2.5	2.5	2.5	2.5	2.4
Efficiency	[%]	*10	95							
Torsional Rigidity	[Nm/arc-min]	*11	10							
Maximum Torsional Backlash	[arc-min]	--	Standard ≤ 3 / Reduced ≤ 2							
Noise Level	dB [A]	*12	≤ 67							
Protection Class	--	*13	IP54 (IP65)							
Ambient Temperature	[°C]	--	0-40							
Permitted Housing Temperature	[°C]	--	90							
Weight	[kg]	*14	3.4							

VRS 075 2-Stage Specifications

Frame Size	075									
Ratio	Unit	Note	15	16	20	25	28	30	35	40
Nominal Output Torque	[Nm]	*1	65	80	86	106	118	88	118	118
Maximum Acceleration Torque	[Nm]	*2	108	165	165	165	165	108	165	165
Maximum Torque	[Nm]	*3	108	165	165	165	165	108	165	165
Emergency Stop Torque	[Nm]	*4	200	250	250	250	250	200	250	250
Nominal Input Speed	[rpm]	*5	3500	3500	3500	3500	3500	3500	3500	3500
Maximum Input Speed	[rpm]	*6	8500	8500	8500	8500	8500	8500	8500	8500
No Load Running Torque	[Nm]	*7	0.06							
Maximum Radial Load	[N]	*8	4300							
Maximum Axial Load	[N]	*9	3900							
Moment of Inertia ($\leq \varnothing 8$)	[kgcm ²]	--	0.20	0.25	0.19	0.19	0.24	0.12	0.18	0.11
Moment of Inertia ($\leq \varnothing 14$)	[kgcm ²]	--	0.36	0.41	0.35	0.35	0.40	0.28	0.34	0.27
Moment of Inertia ($\leq \varnothing 19$)	[kgcm ²]	--	0.75	0.79	0.74	0.73	0.78	0.67	0.73	0.67
Moment of Inertia ($\leq \varnothing 28$)	[kgcm ²]	--	2.5	2.5	2.5	2.5	2.5	2.4	2.5	2.4
Efficiency	[%]	*10	90							
Torsional Rigidity	[Nm/arc-min]	*11	10							
Maximum Torsional Backlash	[arc-min]	--	≤ 3							
Noise Level	dB [A]	*12	≤ 67							
Protection Class	--	*13	IP54 (IP65)							
Ambient Temperature	[°C]	--	0-40							
Permitted Housing Temperature	[°C]	--	90							
Weight	[kg]	*14	3.8							

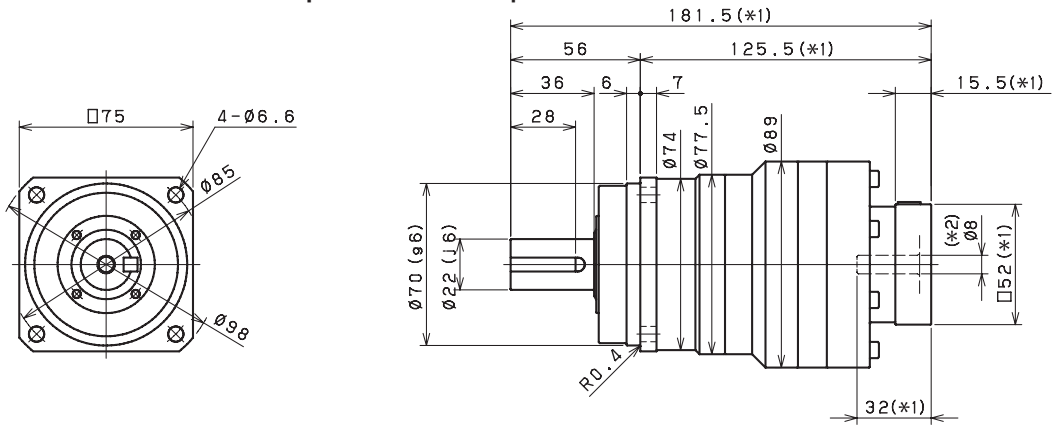
VRS 075 2-Stage Specifications

Frame Size	075										
Ratio	Unit	Note	45	50	60	70	80	90	100		
Nominal Output Torque	[Nm]	*1	88	118	118	118	118	88	88		
Maximum Acceleration Torque	[Nm]	*2	112	165	165	165	165	112	112		
Maximum Torque	[Nm]	*3	112	165	165	165	165	112	112		
Emergency Stop Torque	[Nm]	*4	200	250	250	250	250	200	200		
Nominal Input Speed	[rpm]	*5	3500	3800	3800	4500	4500	4500	4500		
Maximum Input Speed	[rpm]	*6	8500	8500	8500	8500	8500	8500	8500		
No Load Running Torque	[Nm]	*7	0.06								
Maximum Radial Load	[N]	*8	4300								
Maximum Axial Load	[N]	*9	3900								
Moment of Inertia (≤ Ø 8)	[kgcm ²]	--	0.18	0.11	0.11	0.11	0.11	0.11	0.11		
Moment of Inertia (≤ Ø 14)	[kgcm ²]	--	0.34	0.27	0.27	0.27	0.27	0.27	0.27		
Moment of Inertia (≤ Ø 19)	[kgcm ²]	--	0.73	0.67	0.67	0.67	0.67	0.67	0.67		
Moment of Inertia (≤ Ø 28)	[kgcm ²]	--	2.5	2.4	2.4	2.4	2.4	2.4	2.4		
Efficiency	[%]	*10	90								
Torsional Rigidity	[Nm/arc-min]	*11	10								
Maximum Torsional Backlash	[arc-min]	--	≤ 3								
Noise Level	dB [A]	*12	≤ 67								
Protection Class	--	*13	IP54 (IP65)								
Ambient Temperature	[°C]	--	0-40								
Permitted Housing Temperature	[°C]	--	90								
Weight	[kg]	*14	3.8								

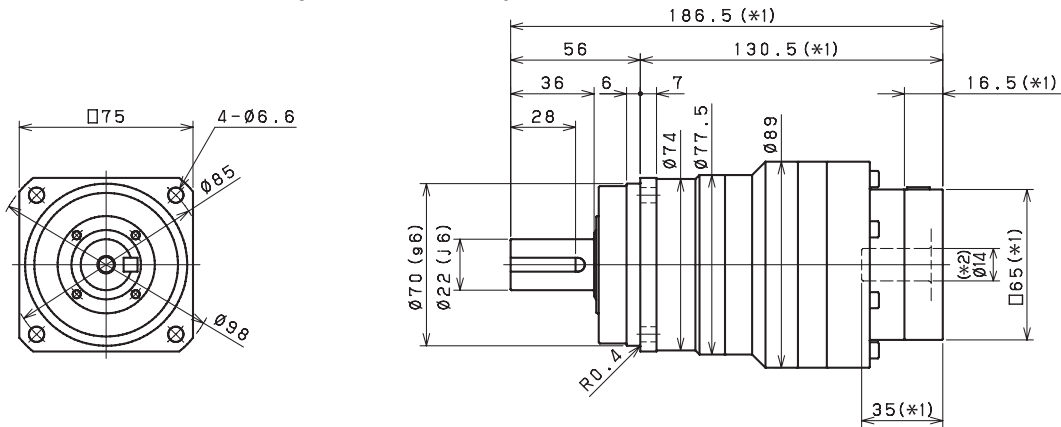
- *1) At nominal input speed, service life is 20,000 hours
- *2) The maximum torque when starting or stopping operation. Permitted 100,000 times during service life
- *3) Permitted 10,000 times during service life. Based on 10% of maximum radial load and smooth output shaft
- *4) The maximum torque allowed under a stress situation. Permitted 1,000 times during service life
- *5) The average input speed at nominal input torque. Maintain housing temperature below permitted value
- *6) The maximum intermittent input speed
- *7) Torque at no load applied to the input shaft at nominal input speed
- *8) The maximum radial load that the gearbox can accept
- *9) The maximum axial load that the gearbox can accept
- *10) The efficiency at the nominal output torque rating
- *11) This does not include lost motion
- *12) Contact NIDEC-SHIMPO for the testing conditions and environment
- *13) IP65 (wash-down) is available as an option. Contact NIDEC-SHIMPO for more details
- *14) Weight may vary slightly between models

VRS 075 2-Stage Dimensions

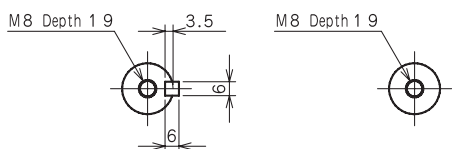
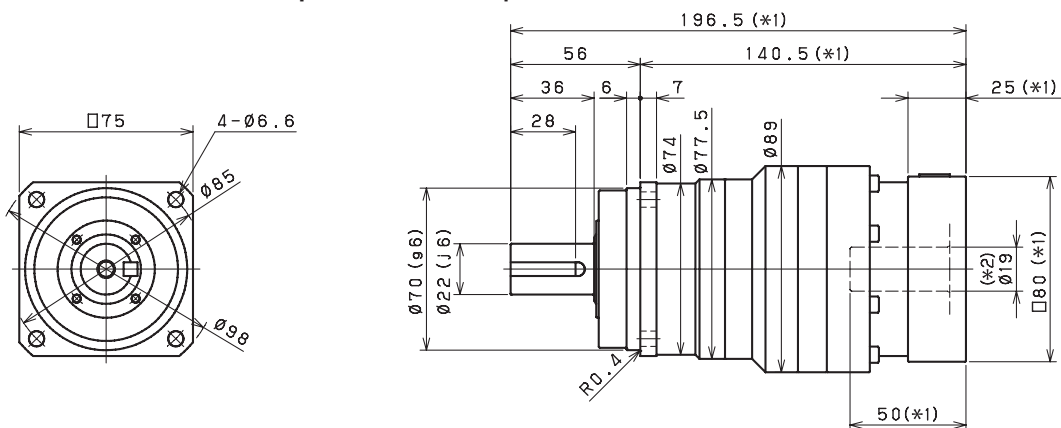
Input bore size $\leq \varnothing 8 \text{ mm}$



Input bore size $\leq \varnothing 14 \text{ mm}$



Input bore size $\leq \varnothing 19 \text{ mm}$ (*3)



Keyed shaft

Smooth shaft

*1) Length will vary depending on motor

*2) Bushing will be inserted to adapt to motor shaft

*3) 28mm input bore is available for this frame size. Use our online configurator to make your selection or contact us for assistance

VRS

VRS SERIES Inline Planetary

VRS 100 1-Stage Specifications

Frame Size	100									
Ratio	Unit	Note	3	4	5	6	7	8	9	10
Nominal Output Torque	[Nm]	*1	128	146	190	190	190	190	190	190
Maximum Acceleration Torque	[Nm]	*2	270	390	390	390	390	390	292	292
Maximum Torque	[Nm]	*3	340	490	490	480	480	480	370	370
Emergency Stop Torque	[Nm]	*4	500	625	625	625	625	625	500	500
Nominal Input Speed	[rpm]	*5	2800	2800	2800	2800	2800	2800	2800	2800
Maximum Input Speed	[rpm]	*6	5500	5500	5500	5500	5500	5500	5500	5500
No Load Running Torque	[Nm]	*7	1.30							
Maximum Radial Load	[N]	*8	7000							
Maximum Axial Load	[N]	*9	6300							
Moment of Inertia ($\leq \emptyset 8$)	[kgcm ²]	--	--	--	--	--	--	--	--	--
Moment of Inertia ($\leq \emptyset 14$)	[kgcm ²]	--	--	--	--	--	--	--	--	--
Moment of Inertia ($\leq \emptyset 19$)	[kgcm ²]	--	3.1	1.9	1.4	1.1	1.0	0.91	0.85	0.82
Moment of Inertia ($\leq \emptyset 28$)	[kgcm ²]	--	5.0	3.7	3.1	2.8	2.7	2.6	2.6	2.5
Moment of Inertia ($\leq \emptyset 38$)	[kgcm ²]	--	12	10	9.5	9.2	9.1	8.9	8.9	8.8
Efficiency	[%]	*10	95							
Torsional Rigidity	[Nm/arc-min]	*11	31							
Maximum Torsional Backlash	[arc-min]	--	Standard ≤ 3 / Reduced ≤ 1							
Noise Level	dB [A]	*12	≤ 71							
Protection Class	--	*13	IP54 (IP65)							
Ambient Temperature	[°C]	--	0-40							
Permitted Housing Temperature	[°C]	--	90							
Weight	[kg]	*14	8.1							

VRS 100 2-Stage Specifications

Frame Size	100									
Ratio	Unit	Note	15	16	20	25	28	30	35	40
Nominal Output Torque	[Nm]	*1	174	200	220	280	280	220	280	270
Maximum Acceleration Torque	[Nm]	*2	270	390	390	390	390	270	390	390
Maximum Torque	[Nm]	*3	270	390	390	390	390	270	390	390
Emergency Stop Torque	[Nm]	*4	500	625	625	625	625	500	625	625
Nominal Input Speed	[rpm]	*5	3100	3100	3100	3100	3100	3100	3100	3100
Maximum Input Speed	[rpm]	*6	6500	6500	6500	6500	6500	6500	6500	6500
No Load Running Torque	[Nm]	*7	0.42							
Maximum Radial Load	[N]	*8	7000							
Maximum Axial Load	[N]	*9	6300							
Moment of Inertia ($\leq \emptyset 8$)	[kgcm ²]	--	--	--	--	--	--	--	--	--
Moment of Inertia ($\leq \emptyset 14$)	[kgcm ²]	--	0.76	0.97	0.72	0.70	0.92	0.38	0.68	0.37
Moment of Inertia ($\leq \emptyset 19$)	[kgcm ²]	--	1.1	1.4	1.1	1.1	1.3	0.78	1.1	0.77
Moment of Inertia ($\leq \emptyset 28$)	[kgcm ²]	--	2.9	3.1	2.8	2.8	3	2.5	2.8	2.5
Moment of Inertia ($\leq \emptyset 38$)	[kgcm ²]	--	9.2	9.4	9.1	9.1	9.3	8.8	9.1	8.8
Efficiency	[%]	*10	90							
Torsional Rigidity	[Nm/arc-min]	*11	31							
Maximum Torsional Backlash	[arc-min]	--	≤ 3							
Noise Level	dB [A]	*12	≤ 71							
Protection Class	--	*13	IP54 (IP65)							
Ambient Temperature	[°C]	--	0-40							
Permitted Housing Temperature	[°C]	--	90							
Weight	[kg]	*14	8.8							

VRS 100 2-Stage Specifications

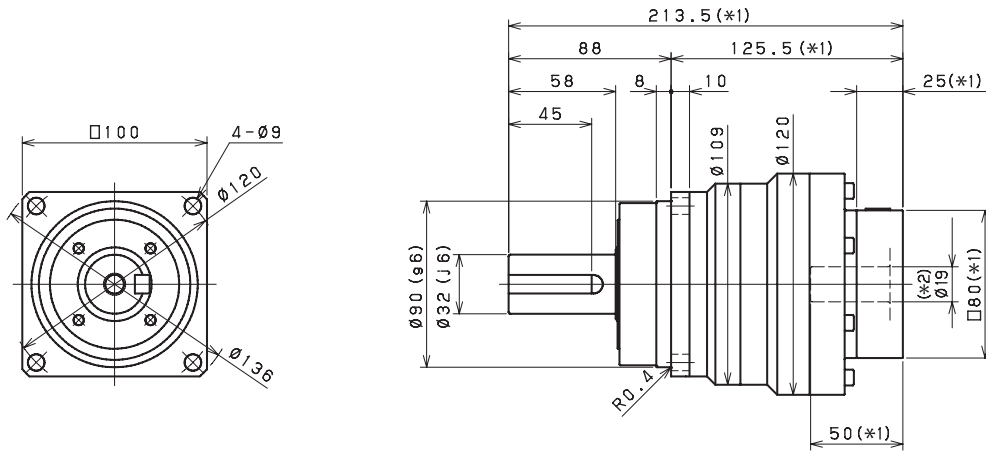
Frame Size	100										
Ratio	Unit	Note	45	50	60	70	80	90	100		
Nominal Output Torque	[Nm]	*1	220	280	280	280	280	220	220		
Maximum Acceleration Torque	[Nm]	*2	292	390	390	390	390	292	292		
Maximum Torque	[Nm]	*3	292	390	390	390	390	292	292		
Emergency Stop Torque	[Nm]	*4	500	625	625	625	625	500	500		
Nominal Input Speed	[rpm]	*5	3100	3500	3500	4200	4200	4200	4200		
Maximum Input Speed	[rpm]	*6	6500	6500	6500	6500	6500	6500	6500		
No Load Running Torque	[Nm]	*7	0.42								
Maximum Radial Load	[N]	*8	7000								
Maximum Axial Load	[N]	*9	6300								
Moment of Inertia (≤ Ø 8)	[kgcm ²]	--	--	0.19	0.19	0.19	0.19	0.19	0.19		
Moment of Inertia (≤ Ø 14)	[kgcm ²]	--	0.68	0.36	0.36	0.36	0.36	0.36	0.36		
Moment of Inertia (≤ Ø 19)	[kgcm ²]	--	1.1	0.76	0.76	0.76	0.76	0.76	0.76		
Moment of Inertia (≤ Ø 28)	[kgcm ²]	--	2.8	2.5	2.5	2.5	2.5	2.5	2.5		
Moment of Inertia (≤ Ø 38)	[kgcm ²]	--	9.1	8.8	8.8	8.8	8.8	8.8	8.8		
Efficiency	[%]	*10	90								
Torsional Rigidity	[Nm/arc-min]	*11	31								
Maximum Torsional Backlash	[arc-min]	--	≤ 3								
Noise Level	dB [A]	*12	≤ 71								
Protection Class	--	*13	IP54 (IP65)								
Ambient Temperature	[°C]	--	0-40								
Permitted Housing Temperature	[°C]	--	90								
Weight	[kg]	*14	8.8								

- *1) At nominal input speed, service life is 20,000 hours
- *2) The maximum torque when starting or stopping operation. Permitted 100,000 times during service life
- *3) Permitted 10,000 times during service life. Based on 10% of maximum radial load and smooth output shaft
- *4) The maximum torque allowed under a stress situation. Permitted 1,000 times during service life
- *5) The average input speed at nominal input torque. Maintain housing temperature below permitted value
- *6) The maximum intermittent input speed
- *7) Torque at no load applied to the input shaft at nominal input speed
- *8) The maximum radial load that the gearbox can accept
- *9) The maximum axial load that the gearbox can accept
- *10) The efficiency at the nominal output torque rating
- *11) This does not include lost motion
- *12) Contact NIDEC-SHIMPO for the testing conditions and environment
- *13) IP65 (wash-down) is available as an option. Contact NIDEC-SHIMPO for more details
- *14) Weight may vary slightly between models

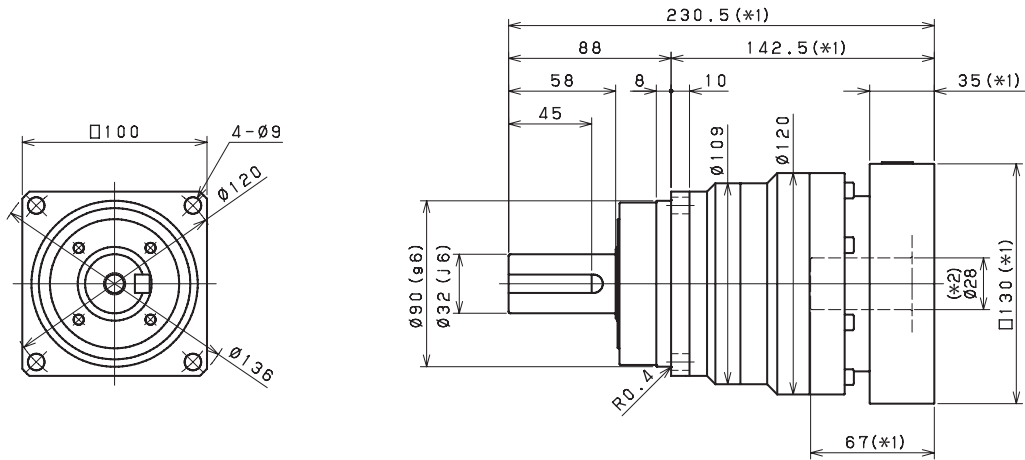
VRS SERIES Inline Planetary

VRS 100 1-Stage Dimensions

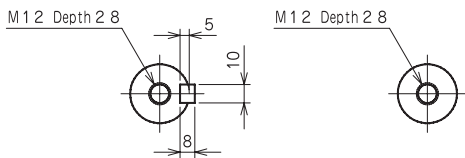
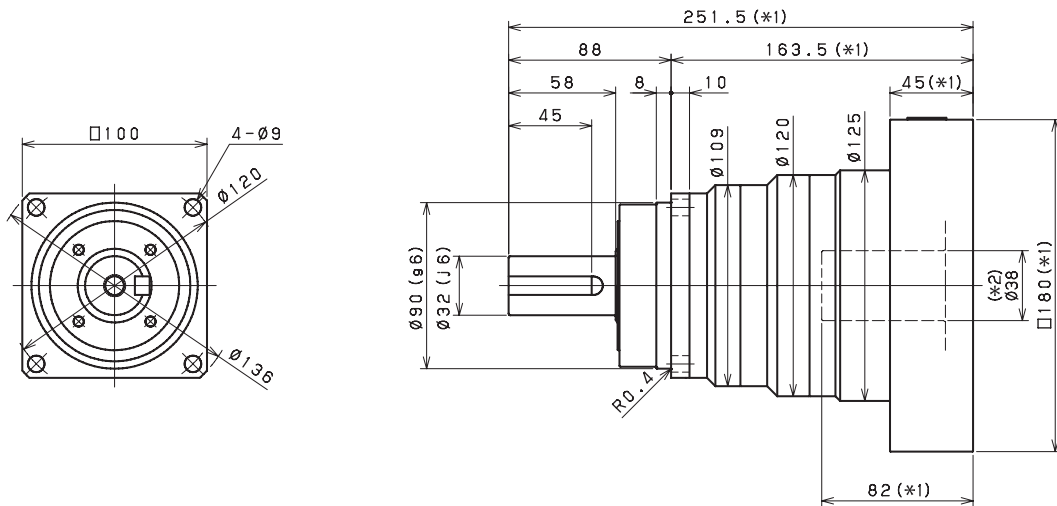
Input bore size $\leq \phi 19$ mm



Input bore size $\leq \phi 28$ mm



Input bore size $\leq \phi 38$ mm



Keyed shaft

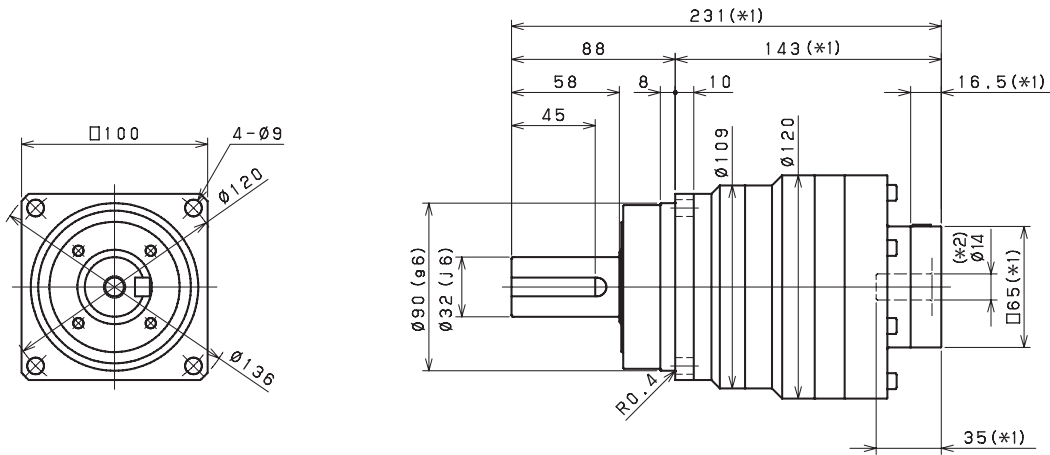
Smooth shaft

*1) Length will vary depending on motor

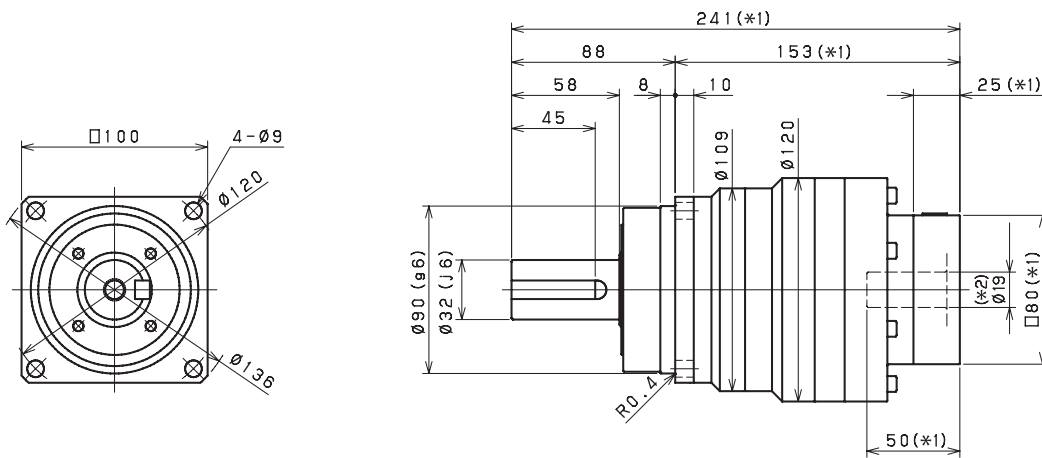
*2) Bushing will be inserted to adapt to motor shaft

VRS 100 2-Stage Dimensions

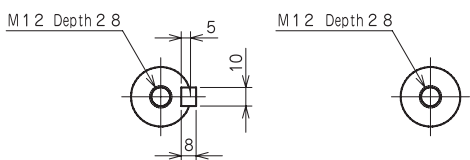
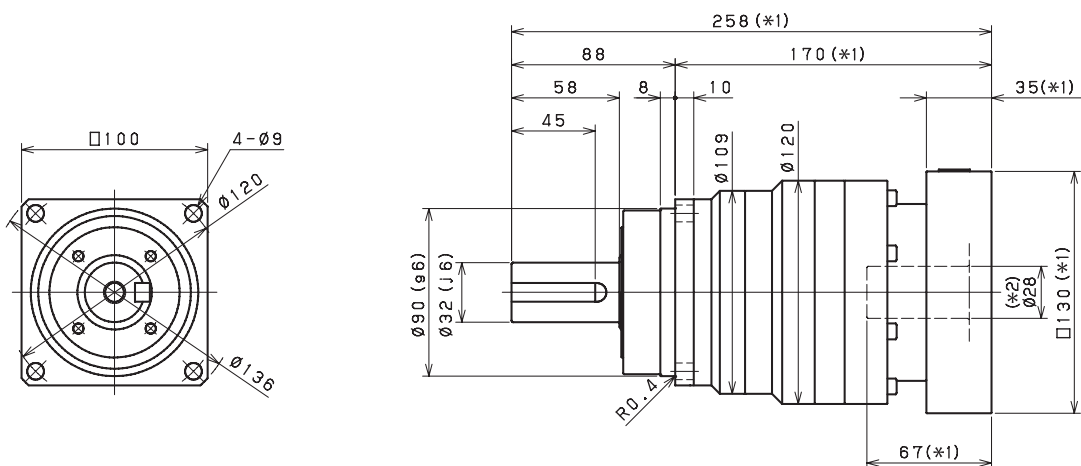
Input bore size $\leq \varnothing 14$ mm



Input bore size $\leq \varnothing 19$ mm



Input bore size $\leq \varnothing 28$ mm ^(*3)



Keyed shaft

Smooth shaft

*1) Length will vary depending on motor

*2) Bushing will be inserted to adapt to motor shaft

*3) 38mm input bore is available for this frame size. Use our online configurator to make your selection or contact us for assistance

VRS SERIES Inline Planetary

VRS 140 1-Stage Specifications

Frame Size	140									
Ratio	Unit	Note	3	4	5	6	7	8	9	10
Nominal Output Torque	[Nm]	*1	248	280	380	380	380	380	380	380
Maximum Acceleration Torque	[Nm]	*2	560	840	840	840	840	840	610	610
Maximum Torque	[Nm]	*3	630	1000	1000	950	950	950	730	730
Emergency Stop Torque	[Nm]	*4	1000	1250	1250	1250	1250	1250	1000	1000
Nominal Input Speed	[rpm]	*5	2100	2100	2100	2100	2600	2600	2600	2600
Maximum Input Speed	[rpm]	*6	5000	5000	5000	5000	5000	5000	5000	5000
No Load Running Torque	[Nm]	*7	1.63							
Maximum Radial Load	[N]	*8	10000							
Maximum Axial Load	[N]	*9	9000							
Moment of Inertia ($\leq \varnothing 14$)	[kgcm ²]	--	--	--	--	--	--	--	--	--
Moment of Inertia ($\leq \varnothing 19$)	[kgcm ²]	--	--	--	--	--	--	--	--	--
Moment of Inertia ($\leq \varnothing 28$)	[kgcm ²]	--	12	7.2	5.2	4.3	3.8	3.5	3.3	3.2
Moment of Inertia ($\leq \varnothing 38$)	[kgcm ²]	--	18	14	12	11	10	9.9	9.7	9.6
Moment of Inertia ($\leq \varnothing 48$)	[kgcm ²]	--	35	29	27	26	25	25	25	25
Efficiency	[%]	*10	95							
Torsional Rigidity	[Nm/arc-min]	*11	60							
Maximum Torsional Backlash	[arc-min]	--	Standard ≤ 3 / Reduced ≤ 1							
Noise Level	dB [A]	*12	≤ 67							
Protection Class	--	*13	IP54 (IP65)							
Ambient Temperature	[°C]	--	0-40							
Permitted Housing Temperature	[°C]	--	90							
Weight	[kg]	*14	17							

VRS 140 2-Stage Specifications

Frame Size	140									
Ratio	Unit	Note	15	16	20	25	28	30	35	40
Nominal Output Torque	[Nm]	*1	360	380	410	590	590	440	590	500
Maximum Acceleration Torque	[Nm]	*2	560	840	840	840	840	560	840	840
Maximum Torque	[Nm]	*3	560	840	840	840	840	560	840	840
Emergency Stop Torque	[Nm]	*4	1000	1250	1250	1250	1250	1000	1250	1250
Nominal Input Speed	[rpm]	*5	2900	2900	2900	2900	2900	2900	2900	2900
Maximum Input Speed	[rpm]	*6	6000	6000	6000	6000	6000	6000	6000	6000
No Load Running Torque	[Nm]	*7	0.56							
Maximum Radial Load	[N]	*8	10000							
Maximum Axial Load	[N]	*9	9000							
Moment of Inertia ($\leq \varnothing 14$)	[kgcm ²]	--	--	--	--	--	--	--	--	--
Moment of Inertia ($\leq \varnothing 19$)	[kgcm ²]	--	2.6	3.5	2.4	2.4	3.3	1.1	2.3	1.1
Moment of Inertia ($\leq \varnothing 28$)	[kgcm ²]	--	4.4	5.3	4.2	4.1	5.1	2.9	4.1	2.8
Moment of Inertia ($\leq \varnothing 38$)	[kgcm ²]	--	11	12	10	10	11	9.2	10	9.1
Moment of Inertia ($\leq \varnothing 48$)	[kgcm ²]	--	26	27	25	25	26	24	25	24
Efficiency	[%]	*10	90							
Torsional Rigidity	[Nm/arc-min]	*11	60							
Maximum Torsional Backlash	[arc-min]	--	≤ 3							
Noise Level	dB [A]	*12	≤ 67							
Protection Class	--	*13	IP54 (IP65)							
Ambient Temperature	[°C]	--	0-40							
Permitted Housing Temperature	[°C]	--	90							
Weight	[kg]	*14	19							

VRS 140 2-Stage Specifications

Frame Size	140										
Ratio	Unit	Note	45	50	60	70	80	90	100		
Nominal Output Torque	[Nm]	*1	440	590	590	590	590	440	440		
Maximum Acceleration Torque	[Nm]	*2	610	840	840	840	840	610	610		
Maximum Torque	[Nm]	*3	610	840	840	840	840	610	610		
Emergency Stop Torque	[Nm]	*4	1000	1250	1250	1250	1250	1000	1000		
Nominal Input Speed	[rpm]	*5	2900	3200	3200	3900	3900	3900	3900		
Maximum Input Speed	[rpm]	*6	6000	6000	6000	6000	6000	6000	6000		
No Load Running Torque	[Nm]	*7	0.56								
Maximum Radial Load	[N]	*8	10000								
Maximum Axial Load	[N]	*9	9000								
Moment of Inertia (≤ Ø 14)	[kgcm ²]	--	--	0.65	0.64	0.64	0.63	0.63	0.63		
Moment of Inertia (≤ Ø 19)	[kgcm ²]	--	2.3	1.1	1.1	1.1	1.1	1.1	1.1		
Moment of Inertia (≤ Ø 28)	[kgcm ²]	--	4.0	2.8	2.8	2.8	2.8	2.8	2.8		
Moment of Inertia (≤ Ø 38)	[kgcm ²]	--	10	9.1	9.1	9.1	9.1	9.1	9.1		
Moment of Inertia (≤ Ø 48)	[kgcm ²]	--	25	24	24	24	24	24	24		
Efficiency	[%]	*10	90								
Torsional Rigidity	[Nm/arc-min]	*11	60								
Maximum Torsional Backlash	[arc-min]	--	≤ 3								
Noise Level	dB [A]	*12	≤ 67								
Protection Class	--	*13	IP54 (IP65)								
Ambient Temperature	[°C]	--	0-40								
Permitted Housing Temperature	[°C]	--	90								
Weight	[kg]	*14	19								

*1) At nominal input speed, service life is 20,000 hours

*2) The maximum torque when starting or stopping operation. Permitted 100,000 times during service life

*3) Permitted 10,000 times during service life. Based on 10% of maximum radial load and smooth output shaft

*4) The maximum torque allowed under a stress situation. Permitted 1,000 times during service life

*5) The average input speed at nominal input torque. Maintain housing temperature below permitted value

*6) The maximum intermittent input speed

*7) Torque at no load applied to the input shaft at nominal input speed

*8) The maximum radial load that the gearbox can accept

*9) The maximum axial load that the gearbox can accept

*10) The efficiency at the nominal output torque rating

*11) This does not include lost motion

*12) Contact NIDEC-SHIMPO for the testing conditions and environment

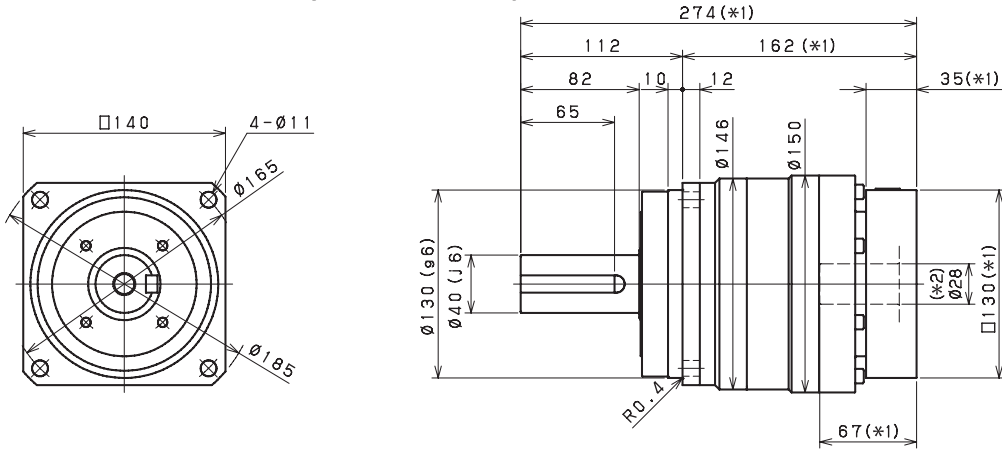
*13) IP65 (wash-down) is available as an option. Contact NIDEC-SHIMPO for more details

*14) Weight may vary slightly between models

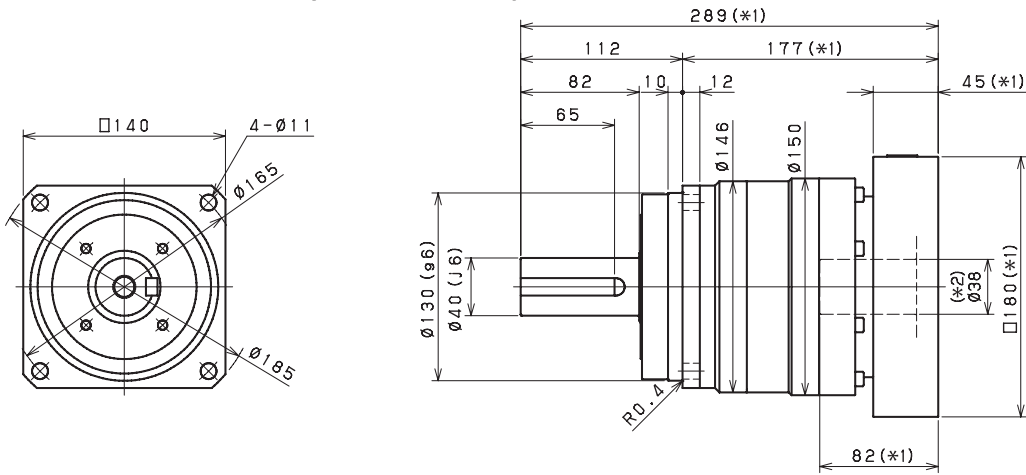
VRS SERIES Inline Planetary

VRS 140 1-Stage Dimensions

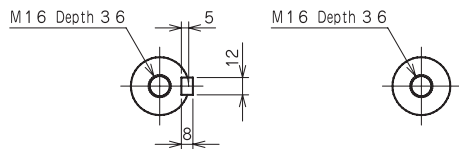
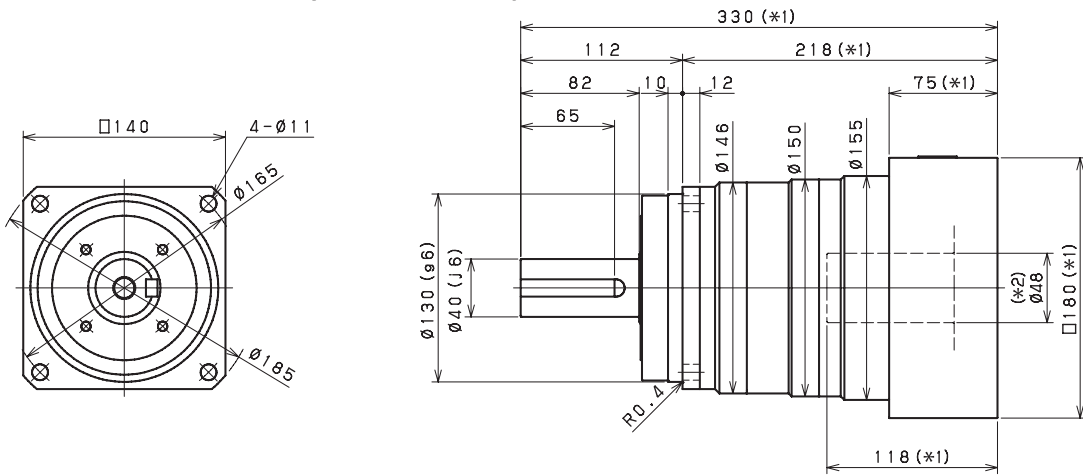
Input bore size $\leq \phi 28$ mm



Input bore size $\leq \phi 38$ mm



Input bore size $\leq \phi 48$ mm



Keyed shaft

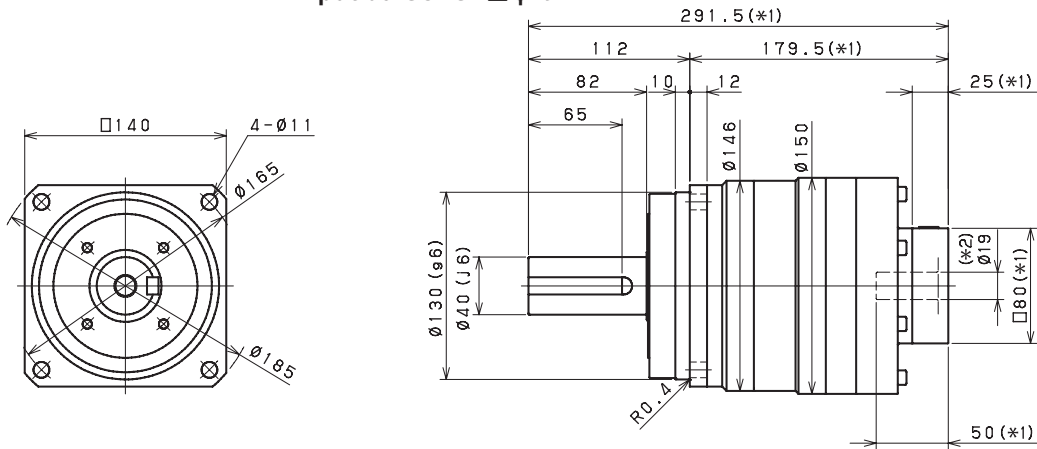
Smooth shaft

*1) Length will vary depending on motor

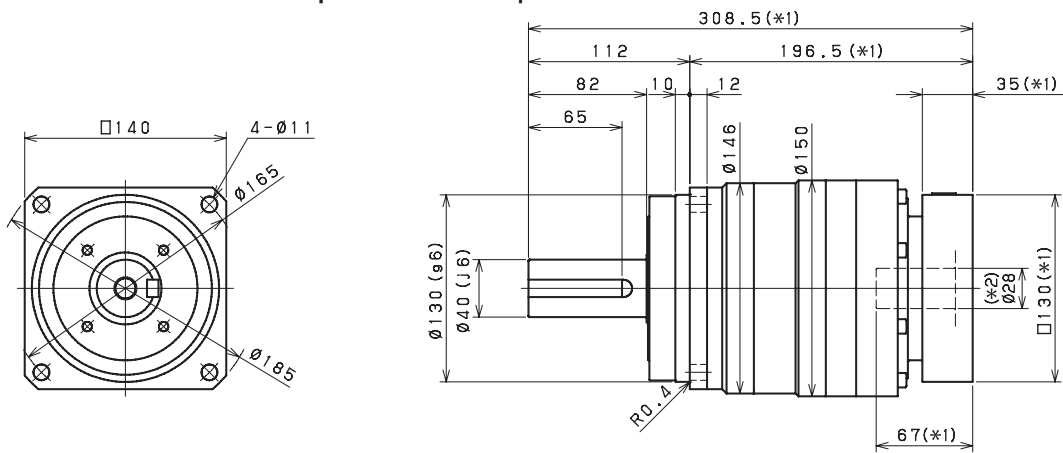
*2) Bushing will be inserted to adapt to motor shaft

VRS 140 2-Stage Dimensions

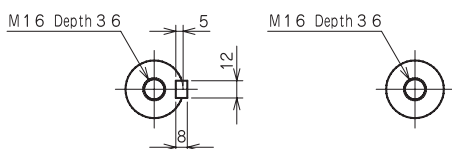
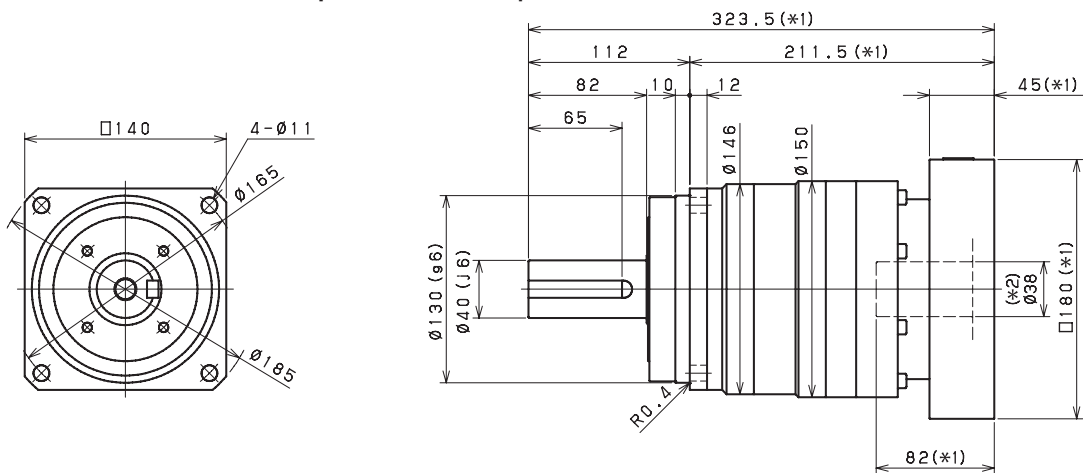
Input bore size $\leq \varnothing 19$ mm



Input bore size $\leq \varnothing 28$ mm



Input bore size $\leq \varnothing 38$ mm (*3)



Keyed shaft

Smooth shaft

*1) Length will vary depending on motor

*2) Bushing will be inserted to adapt to motor shaft

*3) 48mm input bore is available for this frame size. Use our online configurator to make your selection or contact us for assistance

VRS SERIES Inline Planetary

VRS 180 1-Stage Specifications

Frame Size	180									
Ratio	Unit	Note	3	4	5	6	7	8	9	10
Nominal Output Torque	[Nm]	*1	570	850	910	910	910	910	910	910
Maximum Acceleration Torque	[Nm]	*2	1300	1850	1850	1850	1850	1850	1350	1350
Maximum Torque	[Nm]	*3	1450	2250	2250	2150	2150	2150	1750	1750
Emergency Stop Torque	[Nm]	*4	2200	2750	2750	2750	2750	2750	2200	2200
Nominal Input Speed	[rpm]	*5	1500	1500	1500	1500	2300	2300	2300	2300
Maximum Input Speed	[rpm]	*6	4500	4500	4500	4500	4500	4500	4500	4500
No Load Running Torque	[Nm]	*7	2.68							
Maximum Radial Load	[N]	*8	19000							
Maximum Axial Load	[N]	*9	17000							
Moment of Inertia ($\leq \varnothing 19$)	[kgcm ²]	--	--	--	--	--	--	--	--	--
Moment of Inertia ($\leq \varnothing 28$)	[kgcm ²]	--	--	--	--	--	--	--	--	--
Moment of Inertia ($\leq \varnothing 38$)	[kgcm ²]	--	41	25	18	15	13	12	12	11
Moment of Inertia ($\leq \varnothing 48$)	[kgcm ²]	--	55	40	33	30	29	27	27	26
Moment of Inertia ($\leq \varnothing 65$)	[kgcm ²]	--	110	84	78	74	73	71	71	70
Efficiency	[%]	*10	95							
Torsional Rigidity	[Nm/arc-min]	*11	175							
Maximum Torsional Backlash	[arc-min]	--	Standard ≤ 3 / Reduced ≤ 1							
Noise Level	dB [A]	*12	≤ 67							
Protection Class	--	*13	IP54 (IP65)							
Ambient Temperature	[°C]	--	0-40							
Permitted Housing Temperature	[°C]	--	90							
Weight	[kg]	*14	39							

VRS 180 2-Stage Specifications

Frame Size	180									
Ratio	Unit	Note	15	16	20	25	28	30	35	40
Nominal Output Torque	[Nm]	*1	660	850	910	1100	1300	930	1300	1200
Maximum Acceleration Torque	[Nm]	*2	1300	1850	1850	1850	1850	1300	1850	1850
Maximum Torque	[Nm]	*3	1300	1850	1850	1850	1850	1300	1850	1850
Emergency Stop Torque	[Nm]	*4	2200	2750	2750	2750	2750	2200	2750	2750
Nominal Input Speed	[rpm]	*5	2700	2700	2700	2700	2700	2700	2700	2700
Maximum Input Speed	[rpm]	*6	5000	5000	5000	5000	5000	5000	5000	5000
No Load Running Torque	[Nm]	*7	1.39							
Maximum Radial Load	[N]	*8	19000							
Maximum Axial Load	[N]	*9	17000							
Moment of Inertia ($\leq \varnothing 19$)	[kgcm ²]	--	--	--	--	--	--	--	--	--
Moment of Inertia ($\leq \varnothing 28$)	[kgcm ²]	--	8.7	11	8.1	7.8	11	4	7.6	3.9
Moment of Inertia ($\leq \varnothing 38$)	[kgcm ²]	--	15	18	14	14	17	10	14	10
Moment of Inertia ($\leq \varnothing 48$)	[kgcm ²]	--	30	32	29	29	32	25	29	25
Moment of Inertia ($\leq \varnothing 65$)	[kgcm ²]	--	34	39	33	33	38	26	32	26
Efficiency	[%]	*10	90							
Torsional Rigidity	[Nm/arc-min]	*11	175							
Maximum Torsional Backlash	[arc-min]	--	≤ 3							
Noise Level	dB [A]	*12	≤ 67							
Protection Class	--	*13	IP54 (IP65)							
Ambient Temperature	[°C]	--	0-40							
Permitted Housing Temperature	[°C]	--	90							
Weight	[kg]	*14	40							

VRS 180 2-Stage Specifications

Frame Size	180										
Ratio	Unit	Note	45	50	60	70	80	90	100		
Nominal Output Torque	[Nm]	*1	930	1300	1300	1300	1300	930	930		
Maximum Acceleration Torque	[Nm]	*2	1350	1850	1850	1850	1850	1350	1350		
Maximum Torque	[Nm]	*3	1350	1850	1850	1850	1850	1350	1350		
Emergency Stop Torque	[Nm]	*4	2200	2750	2750	2750	2750	2200	2200		
Nominal Input Speed	[rpm]	*5	2700	2900	2900	3400	3400	3400	3400		
Maximum Input Speed	[rpm]	*6	5000	5000	5000	5000	5000	5000	5000		
No Load Running Torque	[Nm]	*7	1.39								
Maximum Radial Load	[N]	*8	19000								
Maximum Axial Load	[N]	*9	17000								
Moment of Inertia (≤ Ø 19)	[kgcm ²]	--	--	1.9	1.9	1.8	1.8	1.8	1.8		
Moment of Inertia (≤ Ø 28)	[kgcm ²]	--	7.6	3.8	3.8	3.8	3.7	3.7	3.7		
Moment of Inertia (≤ Ø 38)	[kgcm ²]	--	14	10	10	10	10	10	10		
Moment of Inertia (≤ Ø 48)	[kgcm ²]	--	29	25	25	25	25	25	25		
Moment of Inertia (≤ Ø 65)	[kgcm ²]	--	32	26	26	26	26	26	26		
Efficiency	[%]	*10	90								
Torsional Rigidity	[Nm/arc-min]	*11	175								
Maximum Torsional Backlash	[arc-min]	--	≤ 3								
Noise Level	dB [A]	*12	≤ 67								
Protection Class	--	*13	IP54 (IP65)								
Ambient Temperature	[°C]	--	0-40								
Permitted Housing Temperature	[°C]	--	90								
Weight	[kg]	*14	40								

*1) At nominal input speed, service life is 20,000 hours

*2) The maximum torque when starting or stopping operation. Permitted 100,000 times during service life

*3) Permitted 10,000 times during service life. Based on 10% of maximum radial load and smooth output shaft

*4) The maximum torque allowed under a stress situation. Permitted 1,000 times during service life

*5) The average input speed at nominal input torque. Maintain housing temperature below permitted value

*6) The maximum intermittent input speed

*7) Torque at no load applied to the input shaft at nominal input speed

*8) The maximum radial load that the gearbox can accept

*9) The maximum axial load that the gearbox can accept

*10) The efficiency at the nominal output torque rating

*11) This does not include lost motion

*12) Contact NIDEC-SHIMPO for the testing conditions and environment

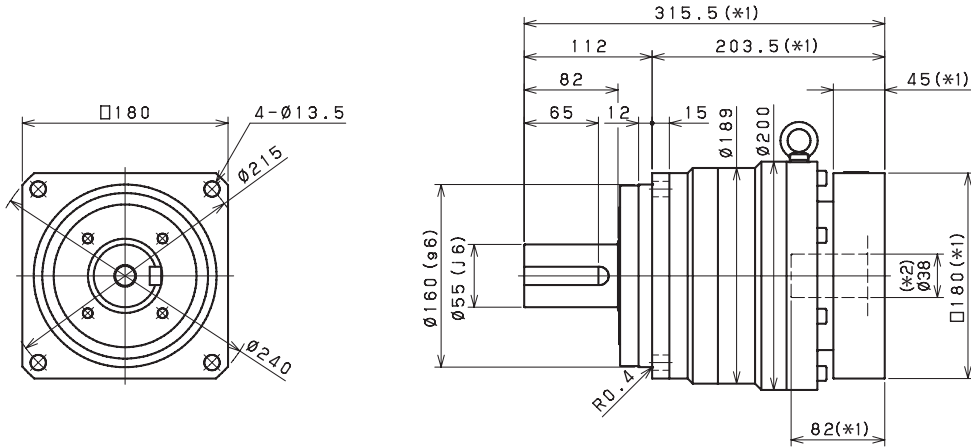
*13) IP65 (wash-down) is available as an option. Contact NIDEC-SHIMPO for more details

*14) Weight may vary slightly between models

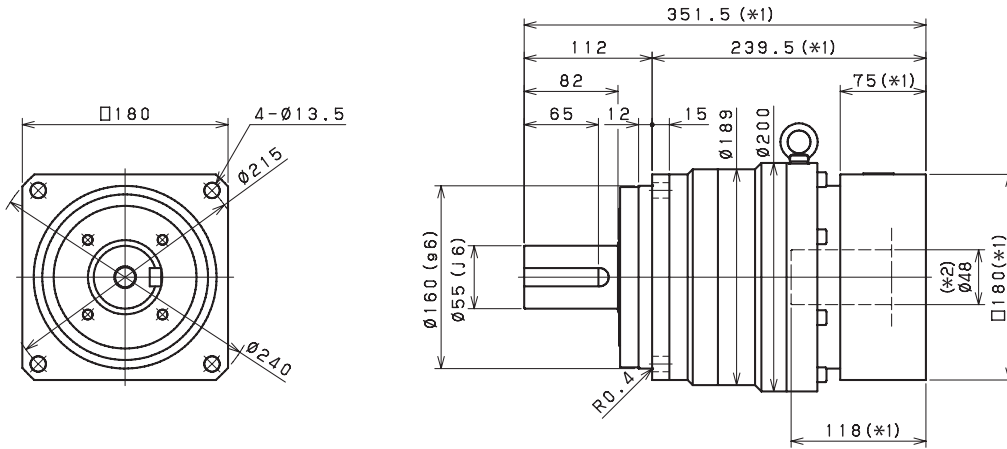
VRS SERIES Inline Planetary

VRS 180 1-Stage Dimensions

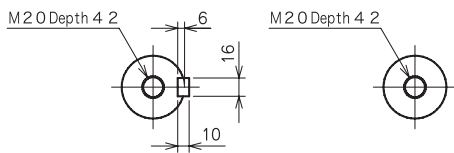
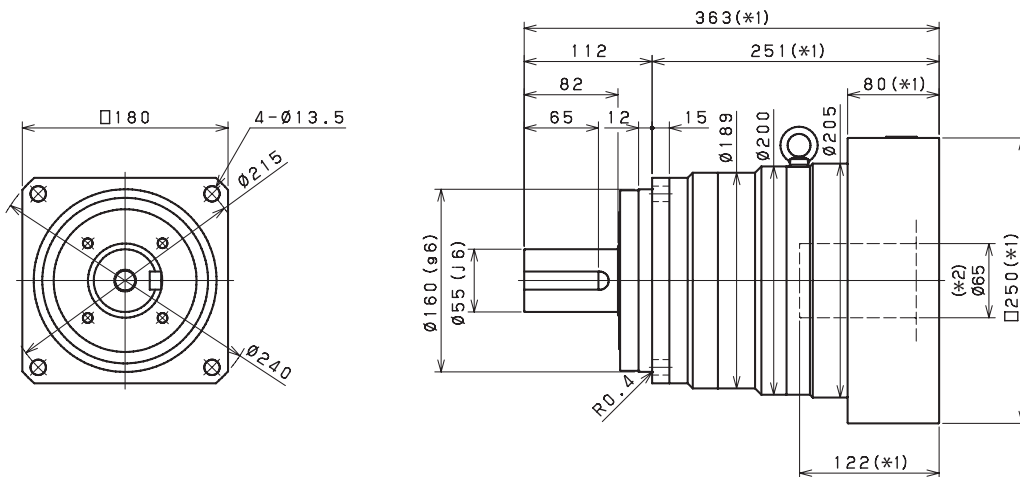
Input bore size $\leq \varnothing 38$ mm



Input bore size $\leq \varnothing 48$ mm



Input bore size $\leq \varnothing 65$ mm



Keyed shaft

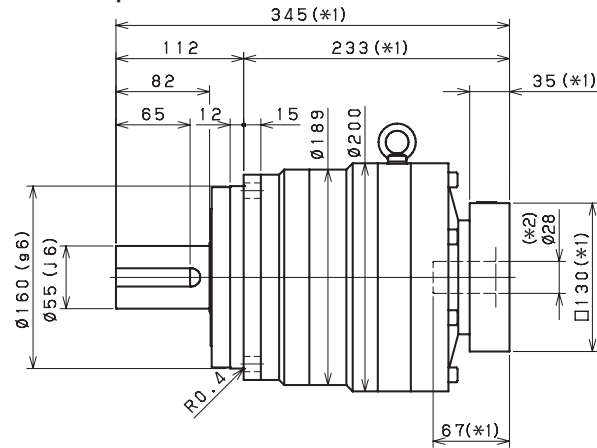
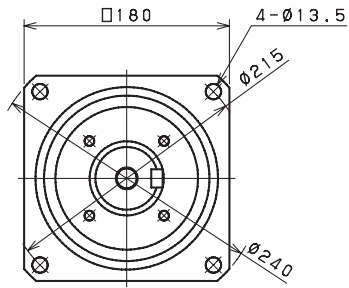
Smooth shaft

*1) Length will vary depending on motor

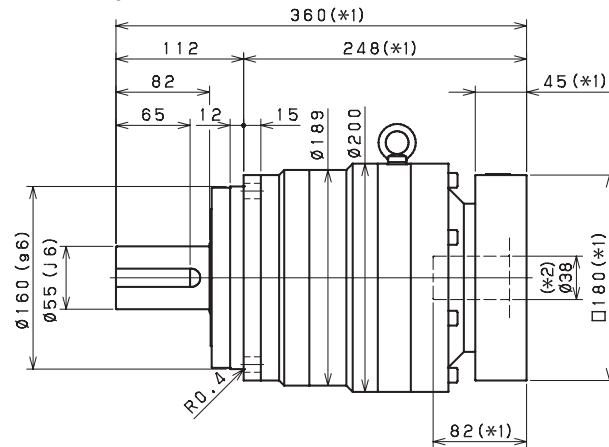
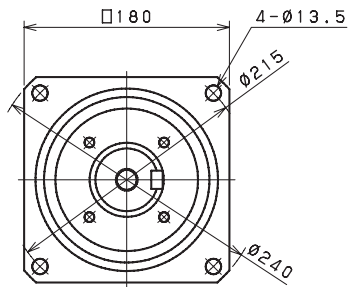
*2) Bushing will be inserted to adapt to motor shaft

VRS 180 2-Stage Dimensions

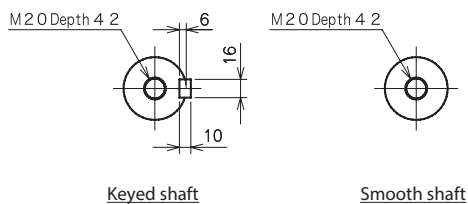
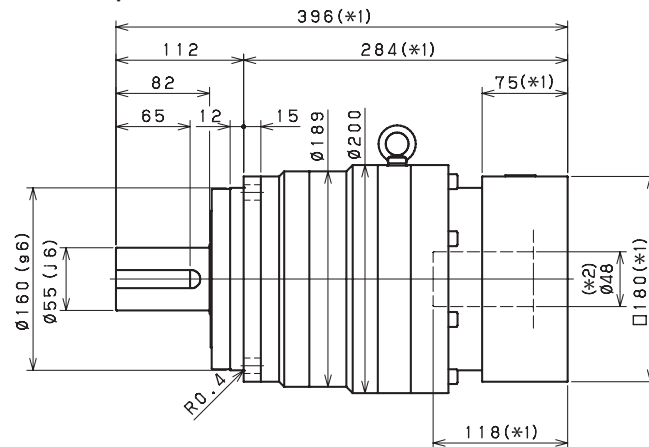
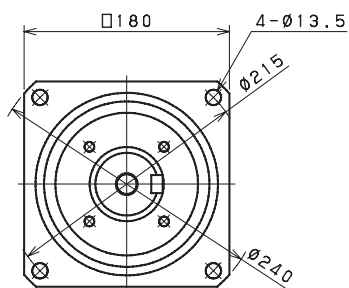
Input bore size $\leq \phi 28$ mm



Input bore size $\leq \phi 38$ mm



Input bore size $\leq \phi 48$ mm



- *1) Length will vary depending on motor
- *2) Bushing will be inserted to adapt to motor shaft

VRS SERIES Inline Planetary

VRS 210 1-Stage Specifications

Frame Size	210									
Ratio	Unit	Note	3	4	5	6	7	8	9	10
Nominal Output Torque	[Nm]	*1	980	1400	1400	1600	1700	1700	1700	1700
Maximum Acceleration Torque	[Nm]	*2	2000	2900	2900	2900	2900	2900	2600	2200
Maximum Torque	[Nm]	*3	2400	3700	3700	3500	3500	3400	3000	2700
Emergency Stop Torque	[Nm]	*4	4000	5000	5000	5000	5000	5000	4000	4000
Nominal Input Speed	[rpm]	*5	1200	1200	1500	1500	1700	1700	2000	2000
Maximum Input Speed	[rpm]	*6	3000	3000	3000	3000	3000	3000	3000	3000
No Load Running Torque	[Nm]	*7	2.92							
Maximum Radial Load	[N]	*8	24000							
Maximum Axial Load	[N]	*9	22000							
Moment of Inertia ($\leq \varnothing 28$)	[kgcm ²]	--	--	--	--	--	--	--	--	--
Moment of Inertia ($\leq \varnothing 38$)	[kgcm ²]	--	--	--	--	--	--	--	--	--
Moment of Inertia ($\leq \varnothing 48$)	[kgcm ²]	--	110	55	42	36	33	31	29	28
Moment of Inertia ($\leq \varnothing 65$)	[kgcm ²]	--	160	99	86	80	77	74	73	72
Efficiency	[%]	*10	95							
Torsional Rigidity	[Nm/arc-min]	*11	400							
Maximum Torsional Backlash	[arc-min]	--	≤ 3							
Noise Level	dB [A]	*12	≤ 61							
Protection Class	--	*13	IP54 (IP65)							
Ambient Temperature	[°C]	--	0-40							
Permitted Housing Temperature	[°C]	--	90							
Weight	[kg]	*14	59							

VRS 210 2-Stage Specifications

Frame Size	210									
Ratio	Unit	Note	15	16	20	25	28	30	35	40
Nominal Output Torque	[Nm]	*1	1100	1400	1500	1800	2000	1300	2000	2000
Maximum Acceleration Torque	[Nm]	*2	2000	2900	2900	2900	2900	2000	2900	2900
Maximum Torque	[Nm]	*3	2000	2900	2900	2900	2900	2000	2900	2900
Emergency Stop Torque	[Nm]	*4	4000	5000	5000	5000	5000	4000	5000	5000
Nominal Input Speed	[rpm]	*5	2200	2200	2200	2200	2200	2200	2200	2200
Maximum Input Speed	[rpm]	*6	4500	4500	4500	4500	4500	4500	4500	4500
No Load Running Torque	[Nm]	*7	1.14							
Maximum Radial Load	[N]	*8	24000							
Maximum Axial Load	[N]	*9	22000							
Moment of Inertia ($\leq \varnothing 28$)	[kgcm ²]	--	--	--	--	--	--	--	--	--
Moment of Inertia ($\leq \varnothing 38$)	[kgcm ²]	--	20	24	19	18	23	12	18	12
Moment of Inertia ($\leq \varnothing 48$)	[kgcm ²]	--	34	39	33	33	38	26	32	26
Moment of Inertia ($\leq \varnothing 65$)	[kgcm ²]	--	--	--	--	--	--	--	--	--
Efficiency	[%]	*10	90							
Torsional Rigidity	[Nm/arc-min]	*11	400							
Maximum Torsional Backlash	[arc-min]	--	≤ 3							
Noise Level	dB [A]	*12	≤ 61							
Protection Class	--	*13	IP54 (IP65)							
Ambient Temperature	[°C]	--	0-40							
Permitted Housing Temperature	[°C]	--	90							
Weight	[kg]	*14	60							

VRS 210 2-Stage Specifications

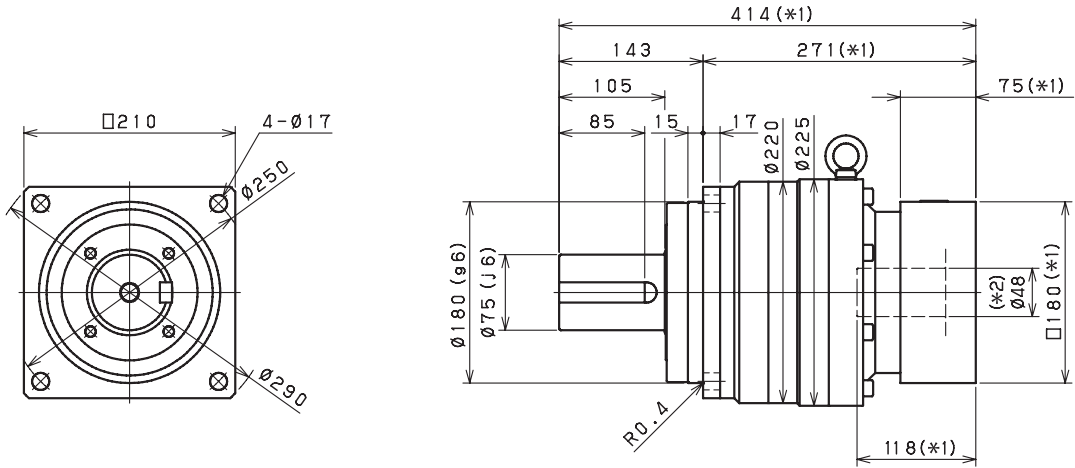
Frame Size	210										
Ratio	Unit	Note	45	50	60	70	80	90	100		
Nominal Output Torque	[Nm]	*1	1300	2000	2000	2000	2000	1300	1300		
Maximum Acceleration Torque	[Nm]	*2	1800	2900	2900	2900	2500	1800	1600		
Maximum Torque	[Nm]	*3	1800	2900	2900	2900	2500	1800	1600		
Emergency Stop Torque	[Nm]	*4	4000	5000	5000	5000	5000	4000	4000		
Nominal Input Speed	[rpm]	*5	2200	2500	2500	3000	3000	3000	3000		
Maximum Input Speed	[rpm]	*6	4500	4500	4500	4500	4500	4500	4500		
No Load Running Torque	[Nm]	*7	1.14								
Maximum Radial Load	[N]	*8	24000								
Maximum Axial Load	[N]	*9	22000								
Moment of Inertia (≤ Ø 28)	[kgcm ²]	--		4.7	4.7	4.6	4.6	4.6	4.6		
Moment of Inertia (≤ Ø 38)	[kgcm ²]	--	18	12	11	11	11	11	11		
Moment of Inertia (≤ Ø 48)	[kgcm ²]	--	32	26	26	26	26	26	26		
Moment of Inertia (≤ Ø 65)	[kgcm ²]	--	--	--	--	--	--	--	--		
Efficiency	[%]	*10	90								
Torsional Rigidity	[Nm/arc-min]	*11	400								
Maximum Torsional Backlash	[arc-min]	--	≤ 3								
Noise Level	dB [A]	*12	≤ 61								
Protection Class	--	*13	IP54 (IP65)								
Ambient Temperature	[°C]	--	0-40								
Permitted Housing Temperature	[°C]	--	90								
Weight	[kg]	*14	60								

- *1) At nominal input speed, service life is 20,000 hours
- *2) The maximum torque when starting or stopping operation. Permitted 100,000 times during service life
- *3) Permitted 10,000 times during service life. Based on 10% of maximum radial load and smooth output shaft
- *4) The maximum torque allowed under a stress situation. Permitted 1,000 times during service life
- *5) The average input speed at nominal input torque. Maintain housing temperature below permitted value
- *6) The maximum intermittent input speed
- *7) Torque at no load applied to the input shaft at nominal input speed
- *8) The maximum radial load that the gearbox can accept
- *9) The maximum axial load that the gearbox can accept
- *10) The efficiency at the nominal output torque rating
- *11) This does not include lost motion
- *12) Contact NIDEC-SHIMPO for the testing conditions and environment
- *13) IP65 (wash-down) is available as an option. Contact NIDEC-SHIMPO for more details
- *14) Weight may vary slightly between models

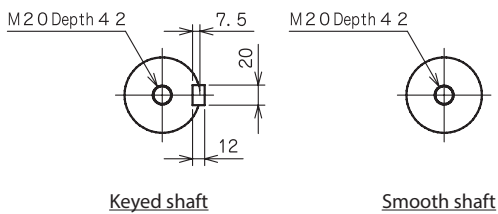
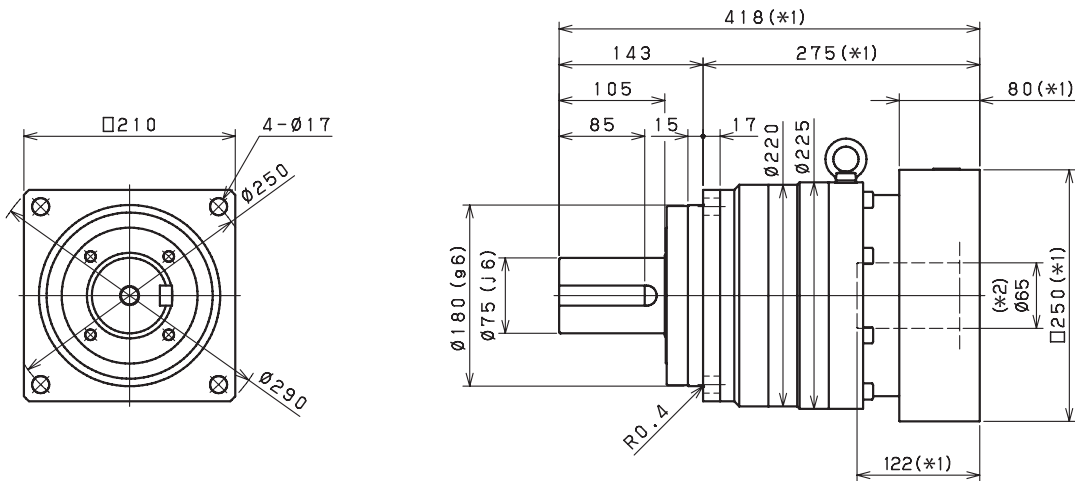
VRS SERIES Inline Planetary

VRS 210 1-Stage Dimensions

Input bore size $\leq \varnothing 48$ mm



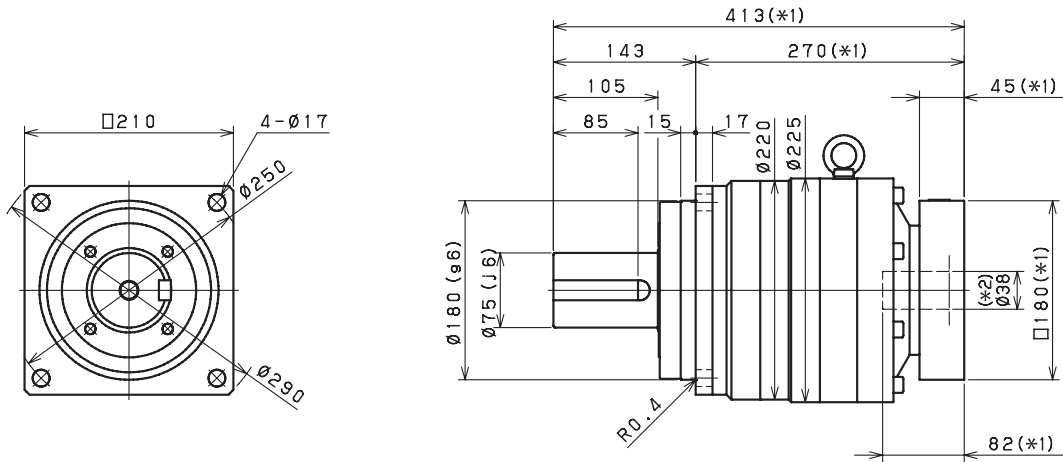
Input bore size $\leq \varnothing 65$ mm



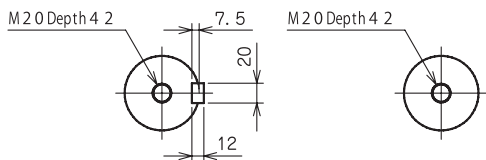
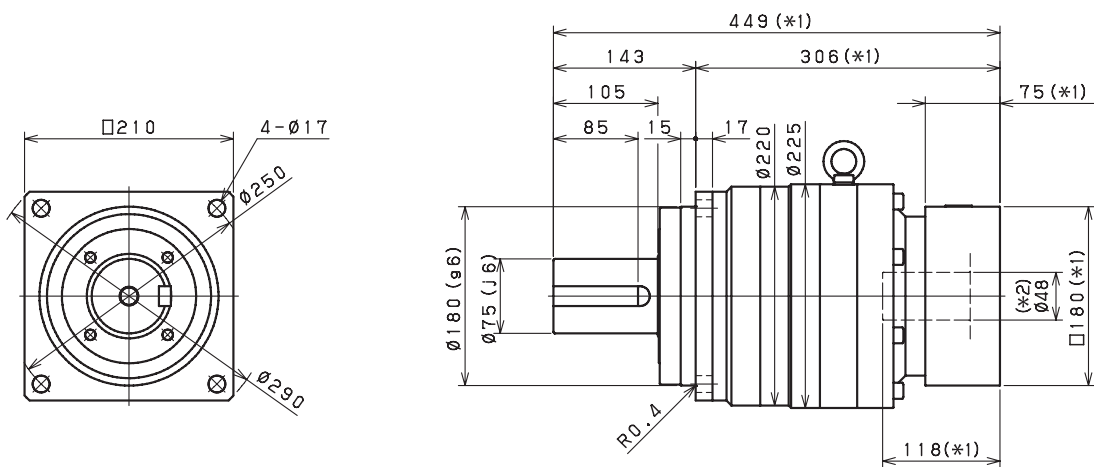
- *1) Length will vary depending on motor.
- *2) Bushing will be inserted to adapt to motor shaft

VRS 210 2-Stage Dimensions

Input bore size $\leq \phi 38$ mm



Input bore size $\leq \phi 48$ mm



Keyed shaft

Smooth shaft

*1) Length will vary depending on motor.

*2) Bushing will be inserted to adapt to motor shaft

VRS

VRS SERIES Inline Planetary

VRS 240 1-Stage Specifications

Frame Size	240									
Ratio	Unit	Note	3	4	5	6	7	8	9	10
Nominal Output Torque	[Nm]	*1	1600	2400	2400	2600	2700	2700	2700	2700
Maximum Acceleration Torque	[Nm]	*2	3300	5100	5100	4800	4800	4700	4200	3600
Maximum Torque	[Nm]	*3	3800	5700	5700	5400	5400	5300	4700	4100
Emergency Stop Torque	[Nm]	*4	6000	8000	8000	8000	8000	8000	6000	6000
Nominal Input Speed	[rpm]	*5	1000	1000	1200	1200	1500	1500	1700	1700
Maximum Input Speed	[rpm]	*6	3000	3000	3000	3000	3000	3000	3000	3000
No Load Running Torque	[Nm]	*7	5.96							
Maximum Radial Load	[N]	*8	30000							
Maximum Axial Load	[N]	*9	27000							
Moment of Inertia ($\leq \varnothing 38$)	[kgcm ²]	--	--	--	--	--	--	--	--	--
Moment of Inertia ($\leq \varnothing 48$)	[kgcm ²]	--	--	--	--	--	--	--	--	--
Moment of Inertia ($\leq \varnothing 65$)	[kgcm ²]	--	230	130	110	92	86	81	78	77
Efficiency	[%]	*10	95							
Torsional Rigidity	[Nm/arc-min]	*11	550							
Maximum Torsional Backlash	[arc-min]	--	≤ 3							
Noise Level	dB [A]	*12	≤ 62							
Protection Class	--	*13	IP54 (IP65)							
Ambient Temperature	[°C]	--	0-40							
Permitted Housing Temperature	[°C]	--	90							
Weight	[kg]	*14	85							

VRS 240 2-Stage Specifications

Frame Size	240									
Ratio	Unit	Note	15	16	20	25	28	30	35	40
Nominal Output Torque	[Nm]	*1	2000	2400	2600	3200	3400	2000	3400	3400
Maximum Acceleration Torque	[Nm]	*2	3300	5100	5100	5100	4900	3300	4900	5100
Maximum Torque	[Nm]	*3	3300	5100	5100	5100	4900	3300	4900	5100
Emergency Stop Torque	[Nm]	*4	6000	8000	8000	8000	8000	6000	8000	8000
Nominal Input Speed	[rpm]	*5	2000	2000	2000	2000	2000	2000	2000	2000
Maximum Input Speed	[rpm]	*6	4500	4500	4500	4500	4500	4500	4500	4500
No Load Running Torque	[Nm]	*7	1.28							
Maximum Radial Load	[N]	*8	30000							
Maximum Axial Load	[N]	*9	27000							
Moment of Inertia ($\leq \varnothing 38$)	[kgcm ²]	--	--	--	--	--	--	--	--	--
Moment of Inertia ($\leq \varnothing 48$)	[kgcm ²]	--	47	55	45	44	52	32	43	31
Moment of Inertia ($\leq \varnothing 65$)	[kgcm ²]	--	--	--	--	--	--	--	--	--
Efficiency	[%]	*10	90							
Torsional Rigidity	[Nm/arc-min]	*11	550							
Maximum Torsional Backlash	[arc-min]	--	≤ 3							
Noise Level	dB [A]	*12	≤ 62							
Protection Class	--	*13	IP54 (IP65)							
Ambient Temperature	[°C]	--	0-40							
Permitted Housing Temperature	[°C]	--	90							
Weight	[kg]	*14	89							

VRS 240 2-Stage Specifications

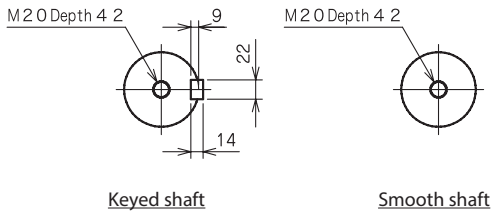
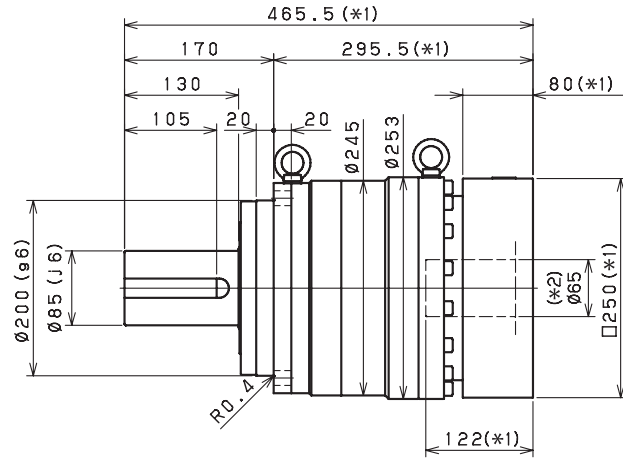
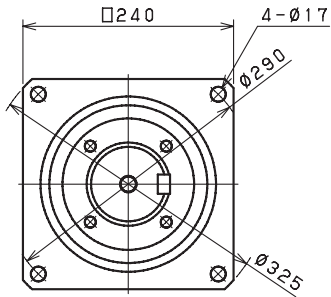
Frame Size	240										
Ratio	Unit	Note	45	50	60	70	80	90	100		
Nominal Output Torque	[Nm]	*1	2000	3400	3400	3400	3400	2000	2000		
Maximum Acceleration Torque	[Nm]	*2	2900	5100	4800	4900	3700	2900	2500		
Maximum Torque	[Nm]	*3	2900	5100	4800	4900	3700	2900	2500		
Emergency Stop Torque	[Nm]	*4	6000	8000	8000	8000	8000	6000	6000		
Nominal Input Speed	[rpm]	*5	2000	2200	2200	2800	2800	2800	2800		
Maximum Input Speed	[rpm]	*6	4500	4500	4500	4500	4500	4500	4500		
No Load Running Torque	[Nm]	*7	1.28								
Maximum Radial Load	[N]	*8	30000								
Maximum Axial Load	[N]	*9	27000								
Moment of Inertia (≤ Ø 38)	[kgcm ²]	--	--	14	13	13	13	13	13		
Moment of Inertia (≤ Ø 48)	[kgcm ²]	--	43	31	31	31	31	31	31		
Moment of Inertia (≤ Ø 65)	[kgcm ²]	--	--	--	--	--	--	--	--		
Efficiency	[%]	*10	90								
Torsional Rigidity	[Nm/arc-min]	*11	550								
Maximum Torsional Backlash	[arc-min]	--	≤ 3								
Noise Level	dB [A]	*12	≤ 62								
Protection Class	--	*13	IP54 (IP65)								
Ambient Temperature	[°C]	--	0-40								
Permitted Housing Temperature	[°C]	--	90								
Weight	[kg]	*14	89								

- *1) At nominal input speed, service life is 20,000 hours
- *2) The maximum torque when starting or stopping operation. Permitted 100,000 times during service life
- *3) Permitted 10,000 times during service life. Based on 10% of maximum radial load and smooth output shaft
- *4) The maximum torque allowed under a stress situation. Permitted 1,000 times during service life
- *5) The average input speed at nominal input torque. Maintain housing temperature below permitted value
- *6) The maximum intermittent input speed
- *7) Torque at no load applied to the input shaft at nominal input speed
- *8) The maximum radial load that the gearbox can accept
- *9) The maximum axial load that the gearbox can accept
- *10) The efficiency at the nominal output torque rating
- *11) This does not include lost motion
- *12) Contact NIDEC-SHIMPO for the testing conditions and environment
- *13) IP65 (wash-down) is available as an option. Contact NIDEC-SHIMPO for more details
- *14) Weight may vary slightly between models

VRS SERIES Inline Planetary

VRS 240 1-Stage Dimensions

Input bore size $\leq \phi 65$ mm

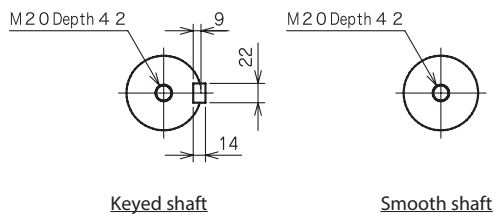
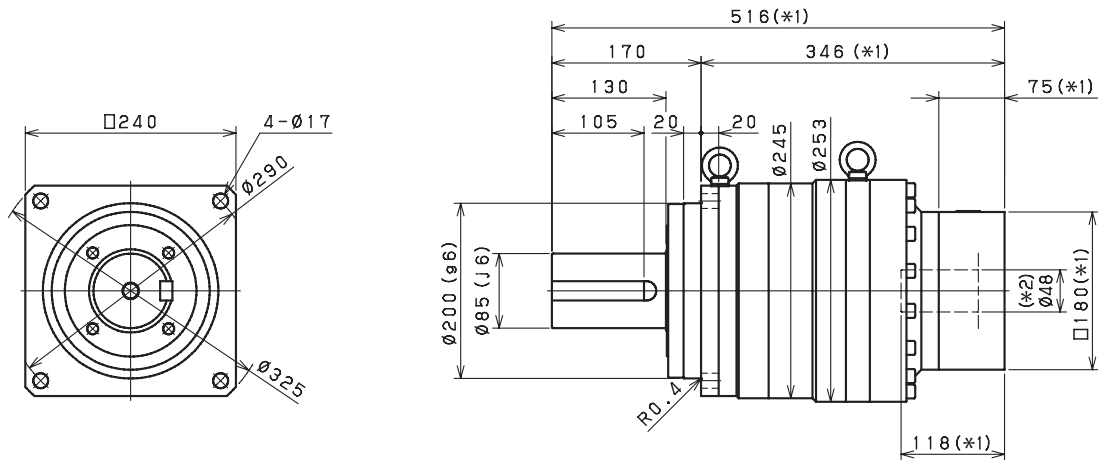


*1) Length will vary depending on motor

*2) Bushing will be inserted to adapt to motor shaft

VRS 240 2-Stage Dimensions

Input bore size $\leq \phi 48$ mm



- *1) Length will vary depending on motor
- *2) Bushing will be inserted to adapt to motor shaft