

Bevel Gearboxes KEK Version B

Angular drives with high torques at very low dimensions.
Suitable in a wide variety of applications
8 Sizes. Ratio 1:1.

Housing: Aluminium, silver anodized. Sealed against lubricant leaks, protected against dust. Can be mounted in any position.

Gearing: Bevel gears from steel, surface hardened.

Bearing: Ball bearings with rubber seal RS.

Lubrication: Maintenance free grease lubrication.

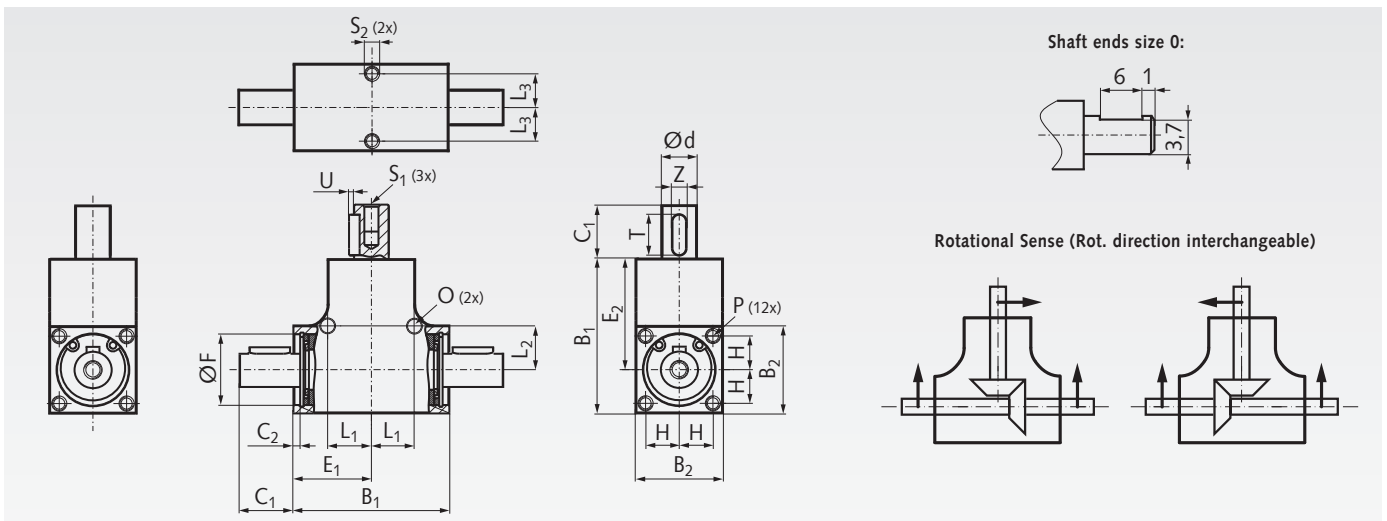
Angular backlash: $3^{\circ} \pm 1^{\circ}$.

Operating time: 20% at 5 min.

Life time: 1,000 hours at max. performance at speed 500 min^{-1} and operating time 20%.

Permiss. operating temperature: -20° to $+60^{\circ}\text{C}$.

Ordering Details: e.g.: Product No. 410001200 Bevel Gearbox KEK, Version B, Size 0



Performance Data

Product No.	Size	Shafts $\varnothing d_j^{16}$ mm	Ratio i	Permittable Torque at Speed			Permittable Power at Speed			Shaft Load		Weight g
				100 min^{-1} Nm	500 min^{-1} Nm	1.000 min^{-1} Nm	100 min^{-1} W	500 min^{-1} W	1.000 min^{-1} W	F_R^* N	F_A^{**} N	
410 002 00	0	4	1 : 1	0,28	0,08	0,04	2,96	4,16	4,16	48	48	30
410 002 01	1	6	1 : 1	0,35	0,1	0,05	3,7	5,2	5,2	60	60	60
410 002 02	2	6	1 : 1	0,75	0,3	0,15	7,9	15,7	15,7	100	100	70
410 002 03	3	8	1 : 1	2,5	1	0,5	26,2	52,4	52,4	120	120	130
410 002 04	4	8	1 : 1	4	1,5	0,75	41,9	78,5	78,5	140	140	170
410 002 05	5	8	1 : 1	5	2	1	52	105	105	240	240	190
410 002 06	6	10	1 : 1	8	3	1,5	84	157	157	550	550	240
410 002 07	7	12	1 : 1	10	4	2	105	209	209	550	550	400

* Radial load F_R max. (on middle of the Output Shaft) for $F_A = 0$. ** Axial load F_A max. for $F_R = 0$.

Dimensions

Size	B_1 mm	B_2 mm	C_1 mm	C_2 mm	d_j^{16} mm	E_1 mm	E_2 mm	F mm	H mm	L_1 mm	L_2 mm	L_3 mm	O mm	P mm	S_1 mm	S_2 mm	T mm	U mm	Z mm
0	26	15	10	1,1	4	13	18,5	11	5,5	8	8	5,5	2,6	M2,5 x 4	M2,5 x 5	M2,5 x 4	-	-	-
1	32	18	12	3,1	6	16	23	13	6,5	8,5	8,5	6,5	3,1	M3 x 4	M3 x 6	M3 x 4	8	0,8	2 ¹⁾
2	35	20	12	2,25	6	17,5	25	16	7,5	10	10	7,5	3,1	M3 x 6	M3 x 6	M3 x 6	8	0,8	2 ¹⁾
3	42	24	16	2	8	21	30	19	9	12	12	9	4,1	M4 x 6	M4 x 8	M4 x 6	10	1,2	3 ¹⁾
4	46	26	16	2	8	23	33	22	10	13	14	10	4,1	M4 x 8	M4 x 8	M4 x 8	10	1,2	3 ¹⁾
5	53	30	16	2,3	8	26,5	38	24	11	15	15	11	4,1	M4 x 8	M4 x 8	M4 x 8	10	1,2	3 ¹⁾
6	56	32	16	2,8	10	28	40	28	12	17	17	12	4,1	M4 x 10	M4 x 8	M4 x 8	10	1,2	3
7	60	35	16	3,2	12	30	42,5	30	13	17,5	17,5	13	4,1	M4 x 10	M5 x 8	M4 x 8	12	1,5	4

¹⁾ Not according to DIN 6885.

Connecting Shafts Page 982

