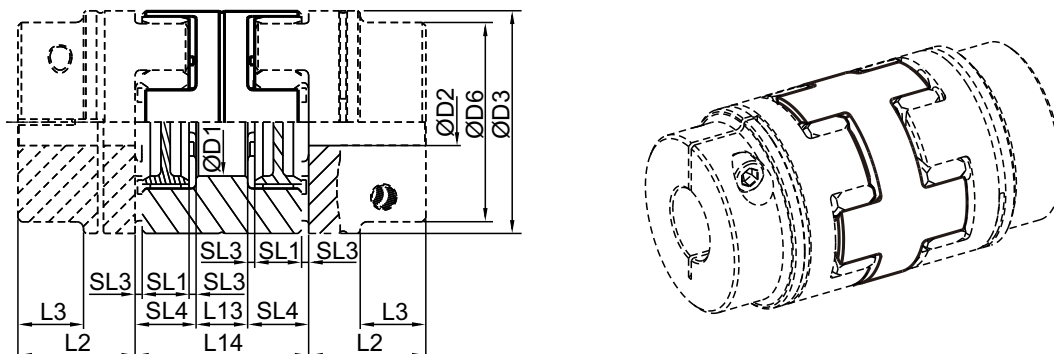


Q Type Double-Cardanic



Hub Material - Aluminum.

Size	Max. Speed [rpm]	D1	L13	L14	SL1	SL3	SL4	Inertia ⁽³⁾ J [kg.cm ²]
07	40900	4	4	20	6	1	8	0.001
09	28600	6	5	25	8	1	10	0.004
12	22900	8	6	30	10	1	12	0.014
14	19100	10	8	34	10	1.5	13	0.028
19	14300	15	10	42	12	2	16	0.125
24	10400	24	16	52	14	2	18	0.556
28	8800	30	18	58	15	2.5	20	1.198
38	7150	38	20	68	18	3	24	3.137
42	6000	46	22	74	20	3	26	6.842
48	5450	51	24	80	21	3.5	28	10.985
55	4750	60	28	88	22	4	30	21.196

(1) Elastomers with different hardnesses can be found on page 6.

(2) Can be connected to other types of hubs. Please refer to the pages of each type for hub dimensions.

(3) Moment of inertia of the connecting ring.