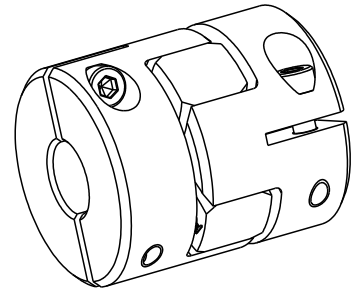
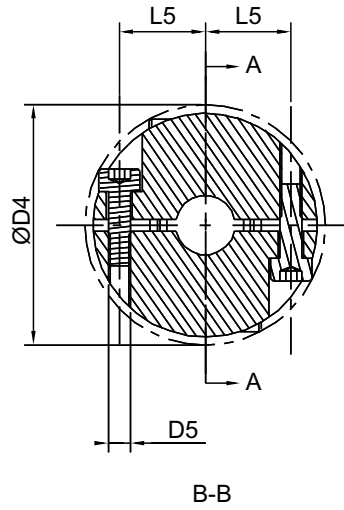
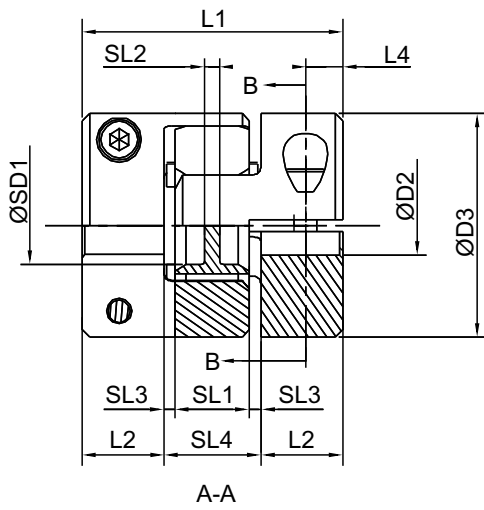
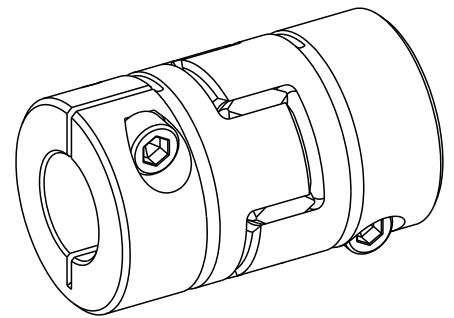
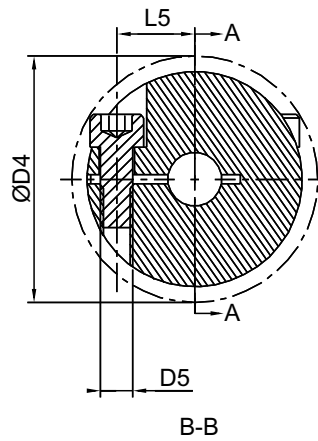
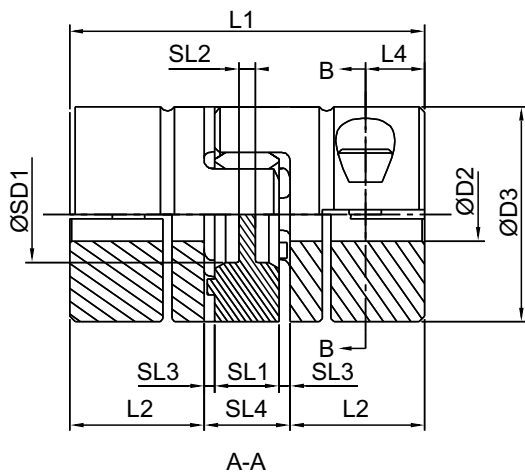


B / BK Type Hub

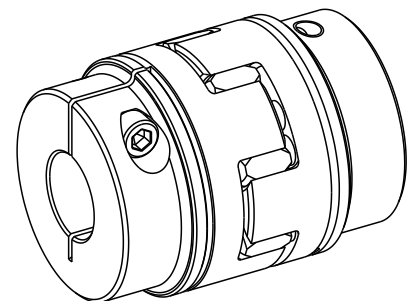
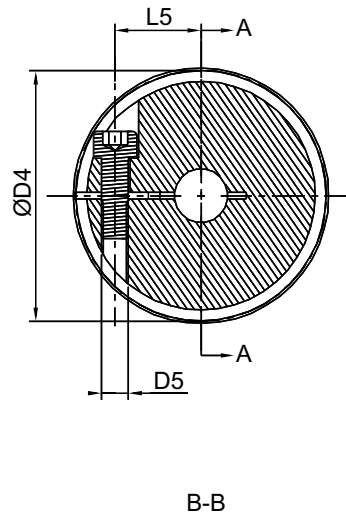
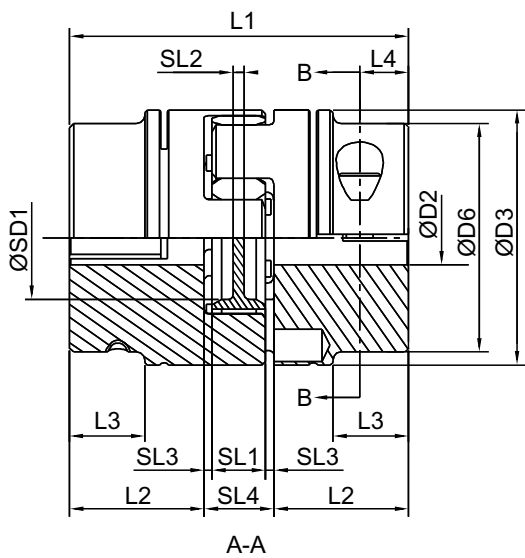
B Type, Size 07-14



B Type, Size 19-38



B Type, Size 42-90



B / BK Type Hub

Spec 07-38 Hub Material - Aluminum.

Spec 42-90 Hub Material - Steel.

Size	Max. Speed [rpm]	D2 max		D3	D6	L1	L2	L3	SD1	SL1	SL2	SL3	SL4	Screw Tightening Torque T_A [Nm]	D4	D5 ⁽²⁾	L4	L5	Inertia ⁽³⁾ J [kg.cm ²]
		B	BK																
07	27000	7	7	14	-	22	7	-	-	6	-	1	8	0.37	16.5	M2	3.5	5	0.001
09	19000	11	11	20	-	30	10	-	7.2	8	1.5	1	10	0.76	23.5	M2.5	5	7.5	0.005
12	15200	12	12	25	-	34	11	-	8.5	10	3.5	1	12	1.34	27.5	M3	5	9	0.015
14	12700	16	16	30	-	35	11	-	8.3	10	2	1.5	13	1.34	32.5	M3	5	11.5	0.028
19	9550	24	24	40	-	66	25	-	18	12	3	2	16	10.5	46	M6	11	14.5	0.193
24	6950	28	28	55	-	78	30	-	27	14	3	2	18	10.5	57.5	M6	10.5	20	0.185
28	5850	38	38	65	-	90	35	-	30	15	4	2.5	20	25	73	M8	11.5	25	0.754
38	4750	45	45	80	-	114	45	-	38	18	4	3	24	25	83.5	M8	15.5	30	1.661
42	4000	50	50	95	85	126	50	28	46	20	4	3	26	69	93.5	M10	18	32	4.866
48	3600	55	55	105	95	140	56	32	48	21	5	3.5	28	120	105	M12	21	36	22.511
55	3150	68	68 ⁽⁴⁾	120	110	160	65	37	60	22	4.5	4	30	120	119.5	M12	26	42.5	38.118
65	2800	70	70 ⁽⁴⁾	135	115	185	75	47	65	26	5.5	4.5	35	120	124	M12	33	45	74.944
75	2350	80	80	160	135	210	85	53	80	30	5	5	40	295	147.5	M16	36	51	121.975
90	1900	90	90	200	160	245	100	62	100	34	9.5	5.5	45	580	176	M20	40	60	266.829

(1) Elastomers with different hardnesses can be found on page 6.

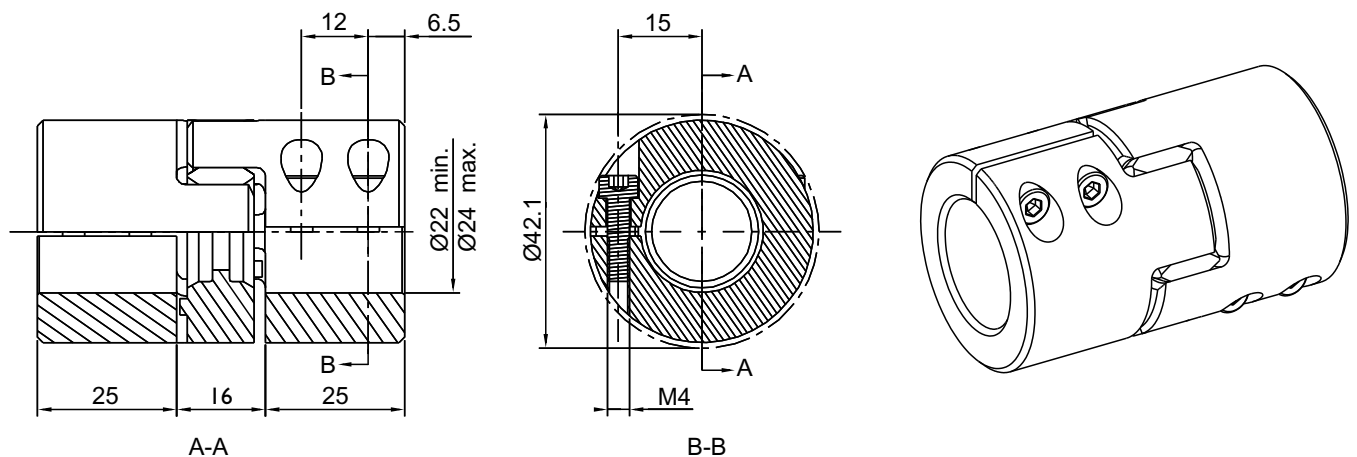
(2) Clamping screws DIN EN ISO 4762.

(3) The moment of inertia of the maximum bore diameter of a single hub.

(4) When the bore diameter >Ø60, the position of the keyway will be in the opposite direction to the clamping screw.

(5) Finished bore diameter tolerance is H7, bore diameter >Ø6 keyway, according to DIN 6885/1, dimensional tolerance is JS9. Please refer to page 6 for keyway dimensions corresponding to each bore diameter.

B Type, Size 19, Bore Ø22-Ø24, M4X2 Clamping Screws L5=15 / $T_A=2.9\text{Nm}$



B / BK Type Hub

Bore and Transmittable Torques T _R [Nm]														
Size	Ø3	Ø4	Ø5	Ø6	Ø7	Ø8	Ø9	Ø10	Ø11	Ø12	Ø13	Ø14	Ø15	Ø16
07	0.8	1.0	1.3	1.5	1.8									
09		1.6	2.1	2.5	2.8	3.3	3.7	4.1	4.5					
12		2.4	3.0	3.6	4.2	4.8	5.5	6.0	6.6	7.2				
14			3.0	3.6	4.2	4.8	5.5	6.0	6.6	7.2	7.8	8.5	9.1	9.7

Bore and Transmittable Torques T _R [Nm]																				
Size	Ø8	Ø10	Ø11	Ø14	Ø15	Ø16	Ø18	Ø19	Ø20	Ø22	Ø24	Ø25	Ø28	Ø30	Ø32	Ø35	Ø38	Ø40	Ø42	Ø45
19	19	23	25	31	33	35	38	40	41	43	44									
24		26	28	35	37	39	43	45	46	50	54	55	61							
28				65	69	73	80	84	88	95	102	105	115	122	128	137	146			
38					67	71	79	83	87	94	101	105	115	122	128	138	148	154	160	169

Bore and Transmittable Torques T _R [Nm]																	
Size	Ø18	Ø19	Ø20	Ø22	Ø24	Ø25	Ø28	Ø30	Ø32	Ø35	Ø38	Ø40	Ø42	Ø45	48	50	Ø55
42	188	199	208	225	242	249	274	289	304	326	348	362	374	395	415	428	
48						398	436	416	484	518	552	574	595	625	656	676	723

Bore and Transmittable Torques T _R [Nm]																
Size	Ø32	Ø35	Ø38	Ø40	Ø42	Ø45	Ø48	Ø50	Ø55	Ø60	Ø65	Ø70	Ø75	Ø80	Ø85	Ø90
55	468	504	538	561	583	616	647	668	719	768	816					
65		465	499	521	543	574	606	627	677	727	774	822				
75					1154	1218	1283	1325	1427	1527	1622	1717	1807	1897		
90					1845	1952	2059	2128	2296	2463	2621	2778	2928	3079	3222	3366