

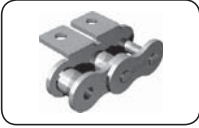



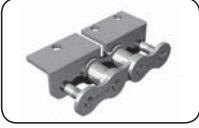















Chains

	Roller chains	78		Double pitch chains Transmission attachments.	91
	Roller chain attachments A-1, K-1.	80		Conveyor chains C series	92
	Roller chain attachments SA-1/M1, SK-1/M1.	81		Conveyor chain C series attachments.	93
	Roller chain attachments WA-1, WA-2, WK-1, WK-2	82		Conveyor chains M series.	95
	Roller chain attachments WSA-1, WSA-2, WSK-1, WSK-2	83		Conveyor chains Lumber mill series, 3939 series	96
	SKF Xtra Strength Chains.	84		Silent chains	97
	SKF Xtra Corrosion Resistant Chains	86		Leaf chains.	98
	Roller chains Side bow, SKF Xtra Performance SLR Chains	87			
	Oil field chains	88			
	Straight side plate chains.	89			
	Double pitch chains	90			

SKF Chains

SKF chain range nomenclature has a defined prefix of PHC. All standardized chains we produce conform to conventional basic part number format – ISO, BS, or DIN.

Roller Chains

The Roller chains designation format is constant through the range, with the following example to indicate set up.

SKF Designation prefix

PHC 80 - 1 C X10FT

Chain type

ANSI – 25 -240
BS – 05B- 72B

No of strands

Simplex– single (-1), Duplex - double (-2)
Triplex – triple (-3)

Supplementary

Many different supplementary designations, examples
C- cottered type
SS – stainless steel
C/L – connector link

Note

See SKF product training for full supplementary notations

Chain length

Standard box – 10FT or 5MTR
Non standard example – 164LINKS

SKF Chains

SKF chain range nomenclature has a defined prefix of PHC. All standardized chains we produce conform to conventional basic part number format – ISO, BS, or DIN.

Special chains – Leaf, Conveyor

The special and conveyor chains designation format is constant through the range, but there are very many combinations of materials, attachments and special considerations, the following is an example to indicate set up.

SKF Designation prefix

PHC C2080H - L1A2 X10FT

Chain type

Leaf – BL, AL, FL, LL
Conveyor – C, M, FV, Z – variations based on hollow shafts, rollers and side plates heights
*note more chain types available. Check catalogue

Supplementary

Many different supplementary designations, examples
C – cottered type
SS – stainless steel
C/L – connector link

Note

See SKF product training for full supplementary notations

Chain length

Standard length – 10FT or 5MTR
Non standard example – 164LINKS

Chains (PHC Product Group)

SKF chains completely conform to international standards (ISO) and other advanced industrial standards (i.e. ANSI and DIN) as shown below:

- Short pitch transmission precision roller chains are manufactured according to ISO 606-1994, ASME B29.1M-1993 and DIN 8187/DIN 8188
- Double pitch precision roller chains for transmission and conveyors are manufactured according to ISO 1275-1995, ASME B29.3M-1994/AMSE B29.4M-1994 and DIN 8181-2000
- Short pitch transmission precision bush chains are manufactured according to ISO 1395-1997, ASME B29.12M-1997 and DIN 8154/DIN 8164
- Steel roller chains/attachments (types S and C) are manufactured according to ISO 487-1998, ASME B29.19M-1996 and DIN 8169-1997
- Conveyor chains/attachments are manufactured according to ISO 1977-2000, ASME B29.15M-1997 and DIN 8165/DIN 8166/DIN 8167
- Heavy duty cranked link transmission chains are manufactured according to ISO 3512, ASME B29.10M-1997 and DIN 8182

- Leaf chains are manufactured according to ISO 4347-1992, ASME B29.8M-1983 and DIN 8152
- Welded steel type cranked link drag chains are manufactured according to ISO 6971-2002 and ASME B29.200-2001
- Welded steel type cranked link mill chains are manufactured according to ISO 6972-2002 and ASME B29.200-2001
- Silent chains are manufactured according to ASME B29.2M-1982 and DIN 8190
- Open barrel steel pintle type conveyor chains/attachments are manufactured according to ASME B29.25M-1994
- Oil field chains are manufactured according to API SPEC 7F-1993
- Hollow pin chains are manufactured according to ASME B29.27M-2001 and DIN 8168

Depending on the type and style, SKF conveyor chains comply with international standards such as DIN 8187, ISO 1977 and BS 4116 (Part IV).

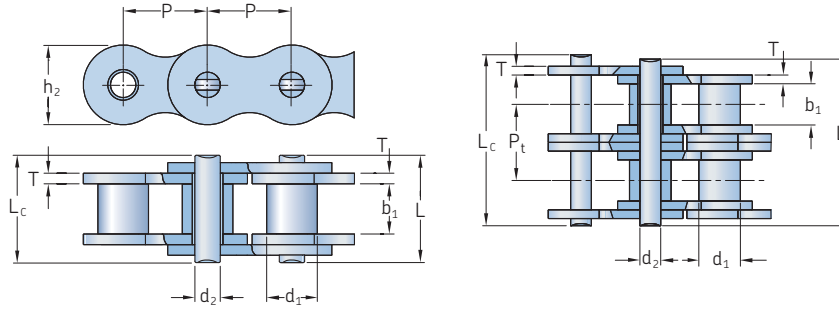
Other cast and steel chains comply with the relevant industry accepted standards for performance and dimensions.

Main materials used in the chain construction

Side Plate	45Mn, 40Cr, 35CrMo, Premium carbon steel no. 45
Roller	Premium carbon steel no. 10, Premium carbon steel no. 45
Bush	20Mn Premium carbon steel no. 20
Pin	35CrMo, GCr15, 30CrMnTi, 40Cr, 20CrMnMo

Roller chains

ANSI

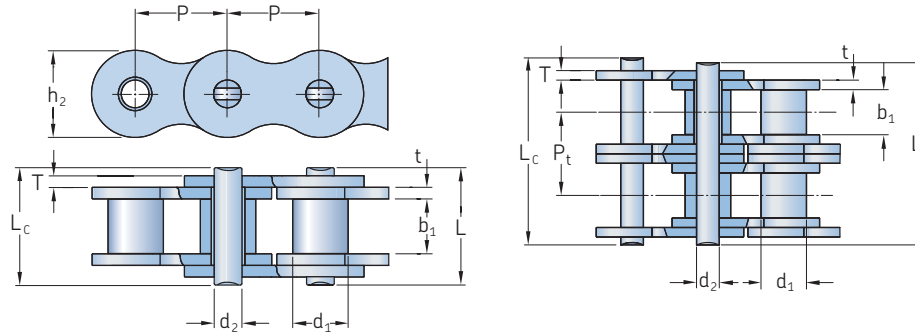


ANSI Chain number	BS/ISO Chain number	Dimensions		Width between inner plates b ₁ Min.	Pin diameter d ₂ Max.	Pin length		Pin length cottered L _c Max.	Inner plate height h ₂ Max.	Plate thickness T Max.	Transverse pitch P _t	Ultimate tensile strength Q Min.	Average tensile strength Q ₀	Mass per meter	Designation
		Pitch P	Roller diameter d ₁ Max.			L Max.	L _c Max.								
mm															
15-1 ¹⁾	03C ¹⁾	4,76	2,48	2,38	1,62	6,10	6,90	-	4,30	0,60	-	1,8	2,0	0,08	PHC 15-1...
25-1 ¹⁾	04C-1 ¹⁾	6,35	3,30	3,18	2,31	7,90	8,40	-	6,00	0,80	-	3,5	4,6	0,15	PHC 25-1...
35-1 ¹⁾	06C-1 ¹⁾	9,53	5,08	4,77	3,58	12,40	13,17	-	9,00	1,30	-	7,9	10,8	0,33	PHC 35-1...
41-1	085-1	12,70	7,77	6,25	3,58	13,75	15,00	-	9,91	1,30	-	6,7	12,6	0,41	PHC 41-1...
40-1	08A-1	12,70	7,95	7,85	3,96	16,60	17,80	-	12,00	1,50	-	14,1	17,5	0,62	PHC 40-1...
50-1	10A-1	15,88	10,16	9,40	5,08	20,70	22,20	23,3	15,09	2,03	-	22,2	29,4	1,02	PHC 50-1...
60-1	12A-1	19,05	11,91	12,57	5,94	25,90	27,70	28,3	18,00	2,42	-	31,8	41,5	1,50	PHC 60-1...
80-1	16A-1	25,40	15,88	15,75	7,92	32,70	35,00	36,5	24,00	3,25	-	56,7	69,4	2,60	PHC 80-1...
100-1	20A-1	31,75	19,05	18,90	9,53	40,40	44,70	44,7	30,00	4,00	-	88,5	109,2	3,91	PHC 100-1...
120-1	24A-1	38,10	22,23	25,22	11,10	50,30	54,30	54,3	35,70	4,80	-	127,0	156,3	5,62	PHC 120-1...
140-1	28A-1	44,45	25,40	25,22	12,70	54,40	59,00	59,0	41,00	5,60	-	172,4	212,0	7,50	PHC 140-1...
160-1	32A-1	50,80	28,58	31,55	14,27	64,80	69,60	69,6	47,80	6,40	-	226,8	278,9	10,10	PHC 160-1...
180-1	36A-1	57,15	35,71	35,48	17,46	72,80	78,60	78,6	53,60	7,20	-	280,2	341,8	13,45	PHC 180-1...
200-1	40A-1	63,50	39,68	37,85	19,85	80,30	87,20	87,2	60,00	8,00	-	353,8	431,6	16,15	PHC 200-1...
240-1	48A-1	76,20	47,63	47,35	23,81	95,50	103,00	103,0	72,39	9,50	-	510,3	622,5	23,20	PHC 240-1...
25-2 ¹⁾	04C-2 ¹⁾	6,35	3,30	3,18	2,31	14,50	15,00	-	6,00	0,80	6,40	7,0	8,6	0,28	PHC 25-2...
35-2 ¹⁾	06C-2 ¹⁾	9,53	5,08	4,77	3,58	22,50	23,30	-	9,00	1,30	10,13	15,8	19,7	0,63	PHC 35-2...
41-2	085-2	12,70	7,77	6,25	3,58	25,70	26,90	-	9,91	1,30	11,95	13,3	16,9	0,81	PHC 41-2...
40-2	08A-2	12,70	7,95	7,85	3,96	31,00	32,20	-	12,00	1,50	14,38	28,2	35,9	1,12	PHC 40-2...
50-2	10A-2	15,88	10,16	9,40	5,08	38,90	40,40	41,2	15,09	2,03	18,11	44,4	58,1	2,00	PHC 50-2...
60-2	12A-2	19,05	11,91	12,57	5,94	48,80	50,50	51,1	18,00	2,42	22,78	63,6	82,1	2,92	PHC 60-2...
80-2	16A-2	25,40	15,88	15,75	7,92	62,70	64,30	65,8	24,00	3,25	29,29	113,4	141,8	5,15	PHC 80-2...
100-2	20A-2	31,75	19,05	18,90	9,53	76,40	80,50	80,5	30,00	4,00	35,76	177,0	219,4	7,80	PHC 100-2...
120-2	24A-2	38,10	22,23	25,22	11,10	95,80	99,70	99,7	35,70	4,80	45,44	254,0	314,9	11,70	PHC 120-2...
140-2	28A-2	44,45	25,40	25,22	12,70	103,30	107,90	107,9	41,00	5,60	48,87	344,8	427,5	15,14	PHC 140-2...
160-2	32A-2	50,80	28,58	31,55	14,27	123,30	128,10	128,1	47,80	6,40	58,55	453,6	562,4	20,14	PHC 160-2...
180-2	36A-2	57,15	35,71	35,48	17,46	138,60	144,40	144,4	53,60	7,20	65,84	560,5	695,0	29,22	PHC 180-2...
200-2	40A-2	63,50	39,68	37,85	19,85	151,90	158,80	158,8	60,00	8,00	71,55	707,6	877,4	32,24	PHC 200-2...
240-2	48A-2	76,20	47,63	47,35	23,81	183,40	190,80	190,8	72,39	9,50	87,83	1 020,6	1 255,3	45,23	PHC 240-2...
25-3 ¹⁾	04C-3 ¹⁾	6,35	3,30	3,18	2,31	21,00	21,50	-	6,00	0,80	6,40	10,5	12,6	0,44	PHC 25-3...
35-3 ¹⁾	06C-3 ¹⁾	9,53	5,08	4,77	3,58	32,70	33,50	-	9,00	1,30	10,13	23,7	28,6	1,05	PHC 35-3...
40-3	08A-3	12,70	7,95	7,85	3,96	45,40	46,60	-	12,00	1,50	14,38	42,3	50,0	1,90	PHC 40-3...
50-3	10A-3	15,88	10,16	9,40	5,08	57,00	58,50	59,3	15,09	2,03	18,11	66,6	77,8	3,09	PHC 50-3...
60-3	12A-3	19,05	11,91	12,57	5,94	71,50	73,30	73,9	18,00	2,42	22,78	95,4	111,1	4,54	PHC 60-3...
80-3	16A-3	25,40	15,88	15,75	7,92	91,70	93,60	95,1	24,00	3,25	29,29	170,1	198,4	7,89	PHC 80-3...
100-3	20A-3	31,75	19,05	18,90	9,53	112,20	116,30	116,3	30,00	4,00	35,76	265,5	309,6	11,77	PHC 100-3...
120-3	24A-3	38,10	22,23	25,22	11,10	141,40	145,20	145,2	35,70	4,80	45,44	381,0	437,2	17,53	PHC 120-3...
140-3	28A-3	44,45	25,40	25,22	12,70	152,20	156,80	156,8	41,00	5,60	48,87	517,2	593,3	22,20	PHC 140-3...
160-3	32A-3	50,80	28,58	31,55	14,27	181,80	186,60	186,6	47,80	6,40	58,55	680,4	780,6	30,02	PHC 160-3...
180-3	36A-3	57,15	35,71	35,48	17,46	204,40	210,20	210,2	53,60	7,20	65,84	840,7	983,6	38,22	PHC 180-3...
200-3	40A-3	63,50	39,68	37,85	19,85	223,50	230,40	230,4	60,00	8,00	71,55	1 061,4	1 217,8	49,03	PHC 200-3...
240-3	48A-3	76,20	47,63	47,35	23,81	271,30	278,60	278,6	72,39	9,50	87,83	1 530,9	1 756,5	71,60	PHC 240-3...

¹⁾ Bushing chain: d₁ indicates external diameter of bushing.
Standard lengths are 10 ft. and 5 m. To complete designation, add chain length. For example, a 10 ft. box of 140-1 is PHC 140-1X10FT.
One connecting link is contained per chain. For additional links, add "C/L" for connecting and "O/L" for "offset" to the designation.
For cottered, add a "C" after the number of strands. For example, 140-1 with a cottered pin is designated PHC 140-1C...

Roller chains

BS/ISO



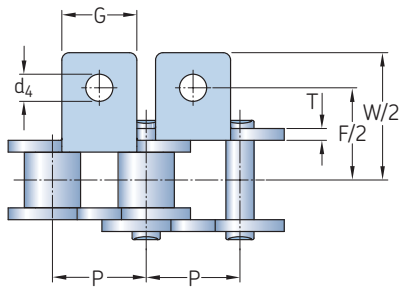
BS/ISO Chain number	Dimensions		Width between inner plates b_1 Min.	Pin diameter d_2 Max.	Pin length L Max.	L_c Max.	Inner plate height h_2 Max.	Plate thickness t Max.	T Max.	Transverse pitch P_t	Ultimate tensile strength Q Min.	Average tensile strength Q_0	Mass per meter	Designation
	Pitch P	Roller diameter d_1 Max.												
mm														
04B-1	6,00	4,00	2,80	1,85	6,80	7,8	5,00	0,60	0,60	–	3,0	3,2	0,11	PHC 04B-1...
05B-1	8,00	5,00	3,00	2,31	8,20	8,9	7,10	0,80	0,80	–	5,0	5,9	0,20	PHC 05B-1...
06B-1 ¹⁾	9,53	6,35	5,72	3,28	13,15	14,1	8,20	1,30	1,30	–	9,0	10,4	0,41	PHC 06B-1...
08B-1	12,70	8,51	7,75	4,45	16,70	18,2	11,80	1,60	1,60	–	18,0	19,4	0,69	PHC 08B-1...
10B-1	15,88	10,16	9,65	5,08	19,50	20,9	14,70	1,70	1,70	–	22,4	27,5	0,93	PHC 10B-1...
12B-1	19,05	12,07	11,68	5,72	22,50	24,2	16,00	1,85	1,85	–	29,0	32,2	1,15	PHC 12B-1...
16B-1	25,40	15,88	17,02	8,28	36,10	37,4	21,00	4,15	3,10	–	60,0	72,8	2,71	PHC 16B-1...
20B-1	31,75	19,05	19,56	10,19	41,30	45,0	26,40	4,50	3,50	–	95,0	106,7	3,70	PHC 20B-1...
24B-1	38,10	25,40	25,40	14,63	53,40	57,8	33,20	6,00	4,80	–	160,0	178,0	7,10	PHC 24B-1...
28B-1	44,45	27,94	30,99	15,90	65,10	69,5	36,70	7,50	6,00	–	200,0	222,0	8,50	PHC 28B-1...
32B-1	50,80	29,21	30,99	17,81	66,00	71,0	42,00	7,00	6,00	–	250,0	277,5	10,25	PHC 32B-1...
40B-1	63,50	39,37	38,10	22,89	82,20	89,2	52,96	8,50	8,00	–	355,0	394,0	16,35	PHC 40B-1...
48B-1	76,20	48,26	45,72	29,24	99,10	107,0	63,80	12,00	10,00	–	560,0	621,6	25,00	PHC 48B-1...
56B-1	88,90	53,98	53,34	34,32	114,60	123,0	77,80	13,50	12,00	–	850,0	940,0	35,78	PHC 56B-1...
64B-1	101,60	63,50	60,96	39,40	130,00	138,5	90,17	15,00	13,00	–	1 120,0	1 240,0	46,00	PHC 64B-1...
72B-1	114,30	72,39	68,58	44,48	147,40	156,4	103,60	17,00	15,00	–	1 400,0	1 550,0	60,80	PHC 72B-1...
05B-2	8,00	5,00	3,00	2,31	13,90	14,5	7,10	0,80	0,80	5,64	7,8	10,2	0,33	PHC 05B-2...
06B-2 ¹⁾	9,53	6,35	5,72	3,28	23,40	24,4	8,20	1,30	1,30	10,24	16,9	18,7	0,77	PHC 06B-2...
08B-2	12,70	8,51	7,75	4,45	31,20	32,2	11,80	1,60	1,60	13,92	32,0	38,7	1,34	PHC 08B-2...
10B-2	15,88	10,16	9,65	5,08	36,10	37,5	14,70	1,70	1,70	16,59	44,5	56,2	1,84	PHC 10B-2...
12B-2	19,05	12,07	11,68	5,72	42,00	43,6	16,00	1,85	1,85	19,46	57,8	66,1	2,31	PHC 12B-2...
16B-2	25,40	15,88	17,02	8,28	68,00	69,3	21,00	4,15	3,10	31,88	106,0	133,0	5,42	PHC 16B-2...
20B-2	31,75	19,05	19,56	10,19	77,80	81,5	26,40	4,50	3,50	36,45	170,0	211,2	7,20	PHC 20B-2...
24B-2	38,10	25,40	25,40	14,63	101,70	106,2	33,20	6,00	4,80	48,36	280,0	319,2	13,40	PHC 24B-2...
28B-2	44,45	27,94	30,99	15,90	124,60	129,1	36,70	7,50	6,00	59,56	360,0	406,8	16,60	PHC 28B-2...
32B-2	50,80	29,21	30,99	17,81	124,60	129,6	42,00	7,00	6,00	58,55	450,0	508,5	21,00	PHC 32B-2...
40B-2	63,50	39,37	38,10	22,89	154,50	161,5	52,96	8,50	8,00	72,29	630,0	711,9	32,00	PHC 40B-2...
48B-2	76,20	48,26	45,72	29,24	190,40	198,2	63,80	12,00	10,00	91,21	1 000,0	1 130,0	50,00	PHC 48B-2...
56B-2	88,90	53,98	53,34	34,32	221,20	229,6	77,80	13,50	12,00	106,60	1 600,0	1 760,0	71,48	PHC 56B-2...
64B-2	101,60	63,50	60,96	39,40	249,90	258,4	90,17	15,00	13,00	119,89	2 000,0	2 200,0	91,00	PHC 64B-2...
72B-2	114,30	72,39	68,58	44,48	283,70	292,7	103,60	17,00	15,00	136,27	2 500,0	2 750,0	120,40	PHC 72B-2...
05B-3	8,00	5,00	3,00	2,31	19,50	20,2	7,10	0,80	0,80	5,64	11,1	13,8	0,48	PHC 05B-3...
06B-3 ¹⁾	9,53	6,35	5,72	3,28	33,50	34,6	8,20	1,30	1,30	10,24	24,9	30,1	1,16	PHC 06B-3...
08B-3	12,70	8,51	7,75	4,45	45,10	46,1	11,80	1,60	1,60	13,92	47,5	57,8	2,03	PHC 08B-3...
10B-3	15,88	10,16	9,65	5,08	52,70	54,1	14,70	1,70	1,70	16,59	66,7	84,5	2,77	PHC 10B-3...
12B-3	19,05	12,07	11,68	5,72	61,50	63,1	16,00	1,85	1,85	19,46	86,7	101,8	3,46	PHC 12B-3...
16B-3	25,40	15,88	17,02	8,28	99,80	101,2	21,00	4,15	3,10	31,88	160,0	203,7	8,13	PHC 16B-3...
20B-3	31,75	19,05	19,56	10,19	114,20	117,9	26,40	4,50	3,50	36,45	250,0	290,0	10,82	PHC 20B-3...
24B-3	38,10	25,40	25,40	14,63	150,10	154,6	33,20	6,00	4,80	48,36	425,0	493,0	20,10	PHC 24B-3...
28B-3	44,45	27,94	30,99	15,90	184,20	188,7	36,70	7,50	6,00	59,56	530,0	609,5	24,92	PHC 28B-3...
32B-3	50,80	29,21	30,99	17,81	183,20	188,2	42,00	7,00	6,00	58,55	670,0	770,5	31,56	PHC 32B-3...
40B-3	63,50	39,37	38,10	22,89	226,80	233,8	52,96	8,50	8,00	72,29	950,0	1 092,5	48,10	PHC 40B-3...
48B-3	76,20	48,26	45,72	29,24	281,60	289,4	63,80	12,00	10,00	91,21	1 500,0	1 710,0	75,00	PHC 48B-3...
56B-3	88,90	53,98	53,34	34,32	327,80	336,2	77,80	13,50	12,00	106,60	2 240,0	2 240,0	107,18	PHC 56B-3...
64B-3	101,60	63,50	60,96	39,40	369,80	378,3	90,17	15,00	13,00	119,89	3 000,0	3 300,0	136,00	PHC 64B-3...
72B-3	114,30	72,39	68,58	44,48	420,00	429,0	103,60	17,00	15,00	136,27	3 750,0	4 125,0	180,00	PHC 72B-3...

¹⁾ Straight side plates.

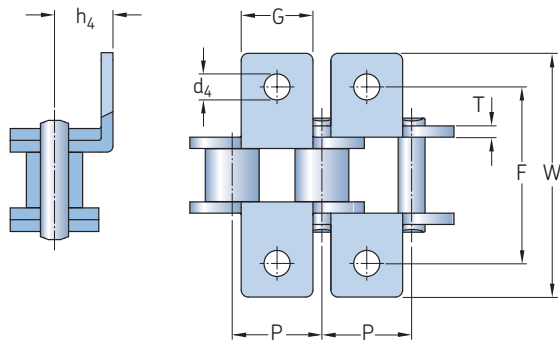
Standard lengths are 10 ft. and 5 m. To complete designation, add chain length. For example, a 5 m box of 08B-1 is PHC 08B-1X5MTR. One connecting link is contained per chain. For additional links, add "C/L" for "connecting" and "O/L" for "offset" to the designation.

Roller chain attachments

A-1 | K-1



A-1



K-1

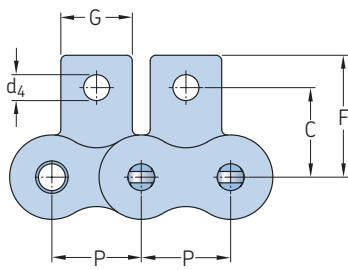
ANSI Chain number	BS/ISO Chain number	Dimensions							Designation
		P	G	F	W	T	h ₄	d ₄	
-		mm							-
35-1	06C-1	9,53	7,9	19,00	28,6	1,30	6,35	3,4	PHC 35-1...
40-1	08A-1	12,70	9,5	25,40	35,2	1,50	7,90	3,4	PHC 40-1...
41-1	08S-1	12,70	9,5	24,00	33,4	1,30	6,90	3,6	PHC 41-1...
50-1	10A-1	15,88	12,7	31,75	46,2	2,03	10,30	5,5	PHC 50-1...
60-1	12A-1	19,05	15,9	38,10	55,6	2,42	11,90	5,5	PHC 60-1...
80-1	16A-1	25,40	19,1	50,80	64,8	3,25	15,90	6,8	PHC 80-1...
100-1	20A-1	31,75	25,4	63,50	87,3	4,00	19,80	9,2	PHC 100-1...
120-1	24A-1	38,10	28,6	76,20	108,5	4,80	23,00	9,8	PHC 120-1...
140-1	28A-1	44,45	34,9	88,90	123,0	5,60	28,60	11,4	PHC 140-1...
160-1	32A-1	50,80	38,1	101,60	142,8	6,40	31,75	13,1	PHC 160-1...
200-1	40A-1	63,50	50,8	127,00	179,0	8,00	42,88	16,3	PHC 200-1...
-	06B-1 ¹⁾	9,53	8,0	19,04	27,0	1,30	6,50	3,5	PHC 06B-1...
-	08B-1	12,70	9,5	25,40	36,4	1,60	8,90	4,5	PHC 08B-1...
-	10B-1	15,88	14,3	31,75	44,6	1,70	10,31	5,3	PHC 10B-1...
-	12B-1	19,05	16,0	38,10	52,4	1,85	13,46	6,4	PHC 12B-1...
-	16B-1	25,40	19,1	50,80	72,6	3,10	15,88	6,4	PHC 16B-1...
-	20B-1	31,75	35,0	63,50	100,5	3,50	19,80	9,0	PHC 20B-1...
-	24B-1	38,10	30,0	76,20	108,4	4,80	26,67	10,5	PHC 24B-1...
-	28B-1	44,45	35,0	88,90	123,0	6,00	28,58	13,1	PHC 28B-1...
-	32B-1	50,80	38,1	101,60	142,8	6,00	31,75	13,1	PHC 32B-1...

¹⁾ Straight side plates

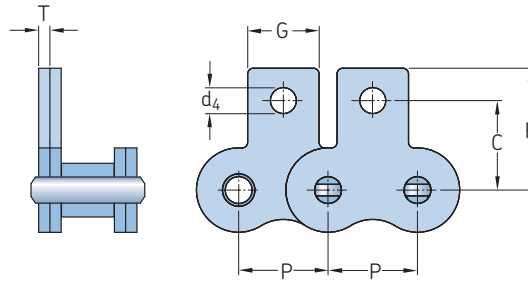
To complete designation, add attachment spacing and type followed by chain length. For example, PHC 40-1-L2A1X10FT (ANSI 40-1 with A-1 attachment on every second link, 10 ft. length). Note: Also available in stainless steel. When ordering, add SS after the chain number. For example, PHC 40-1SS-L1A1X10FT.

Roller chain attachments

SA-1/M1 | SK-1/M1



SA-1/M1



SK-1/M1

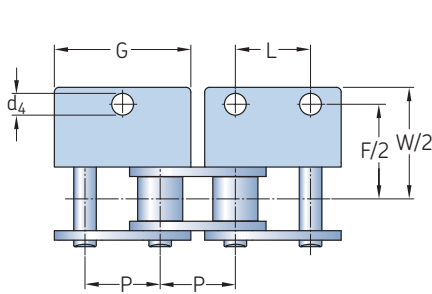
ANSI Chain number	BS/ISO Chain number	Dimensions						Designation
		P	G	C	F	T	d ₄	
		mm						
35-1	06C-1	9,53	7,9	9,50	14,55	1,30	3,4	PHC 35-1...
40-1	08A-1	12,70	9,5	12,70	19,05	1,50	3,4	PHC 40-1...
41-1	085-1	12,70	9,5	11,85	16,55	1,30	3,6	PHC 41-1...
50-1	10A-1	15,88	12,7	15,90	25,25	2,03	5,5	PHC 50-1...
60-1	12A-1	19,05	15,9	18,30	29,33	2,42	5,5	PHC 60-1...
80-1	16A-1	25,40	19,1	24,60	34,70	3,25	6,8	PHC 80-1...
100-1	20A-1	31,75	25,4	31,80	43,30	4,00	9,2	PHC 100-1...
120-1	24A-1	38,10	28,6	36,50	51,60	4,80	9,8	PHC 120-1...
140-1	28A-1	44,45	34,9	44,50	62,00	5,60	11,4	PHC 140-1...
160-1	32A-1	50,80	38,1	50,80	69,85	6,40	13,1	PHC 160-1...
200-1	40A-1	63,50	50,8	63,50	88,90	8,00	16,3	PHC 200-1...
-	06B-1 ¹⁾	9,53	8,0	9,52	13,50	1,30	3,5	PHC 06B-1...
-	08B-1	12,70	9,5	13,35	18,90	1,60	4,3	PHC 08B-1...
-	10B-1	15,88	14,3	16,50	22,95	1,70	5,3	PHC 10B-1...
-	12B-1	19,05	16,0	21,45	28,60	1,85	6,4	PHC 12B-1...
-	16B-1	25,40	19,1	23,15	34,00	3,10	6,4	PHC 16B-1...
-	20B-1	31,75	35,0	30,50	45,70	3,50	9,0	PHC 20B-1...

¹⁾ Straight side plates

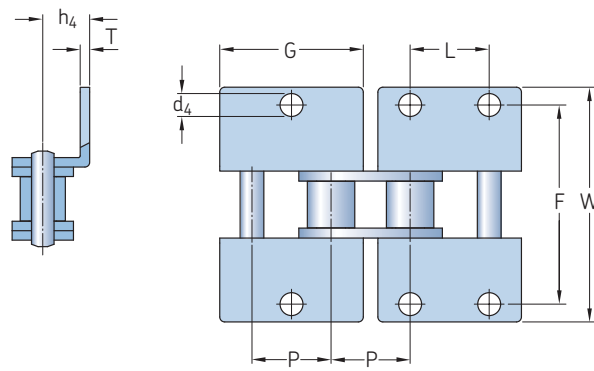
To complete designation, add attachment spacing and type followed by chain length. For example, PHC 80-1-L1SK1X10FT (ANSI 80-1 with SK-1 attachment on every link, 10 ft. length). Note: Also available in stainless steel. When ordering, add SS after the chain number. For example, PHC 80-1SS-L1SK1X10FT.

Roller chain attachments

WA-1 · WA-2 | WK-1 · WK-2



WA-1,WA-2



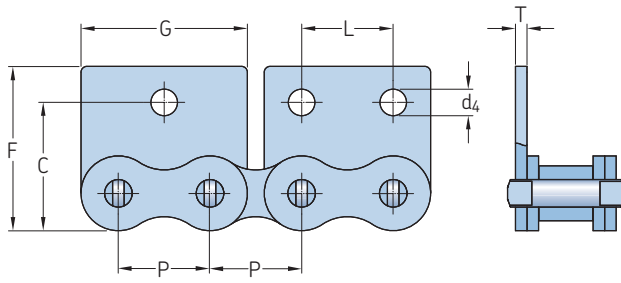
WK-1,WK-2

ANSI Chain number	BS/ISO Chain number	Dimensions								Designation
		P	G	L	F	W	T	h_4	d_4	
-		mm								-
35-1	06C-1	9,53	17,32	9,53	19,00	28,6	1,30	6,35	2,80	PHC 35-1...
40-1	08A-1	12,70	23,00	12,70	25,40	35,6	1,50	7,90	3,40	PHC 40-1...
41-1	085-1	12,70	22,30	12,70	24,00	35,0	1,30	7,20	4,85	PHC 41-1...
50-1	10A-1	15,88	28,80	15,88	31,75	46,8	2,03	10,30	5,50	PHC 50-1...
60-1	12A-1	19,05	34,65	19,05	38,10	56,4	2,42	11,90	5,50	PHC 60-1...
80-1	16A-1	25,40	45,90	25,40	50,80	73,2	3,25	15,90	6,80	PHC 80-1...
100-1	20A-1	31,75	57,65	31,75	63,50	89,8	4,00	19,80	9,20	PHC 100-1...
120-1	24A-1	38,10	69,30	38,10	76,20	108,8	4,80	23,00	9,80	PHC 120-1...
140-1	28A-1	44,45	80,45	44,45	88,90	123,0	5,60	28,60	11,40	PHC 140-1...
160-1	32A-1	50,80	92,00	50,80	101,60	142,8	6,40	31,75	13,10	PHC 160-1...
200-1	40A-1	63,50	115,50	63,50	127,00	179,0	8,00	42,88	16,30	PHC 200-1...
-	08B-1	12,70	24,00	12,70	25,40	36,4	1,60	8,90	4,30	PHC 08B-1...
-	10B-1	15,88	29,58	15,88	31,80	44,6	1,70	10,31	5,30	PHC 10B-1...
-	12B-1	19,05	34,05	19,05	38,10	52,0	1,85	13,46	6,40	PHC 12B-1...
-	16B-1	25,40	46,40	25,40	50,80	72,6	3,10	15,88	6,40	PHC 16B-1...
-	20B-1	31,75	58,10	31,75	63,00	100,5	3,50	19,80	9,00	PHC 20B-1...
-	24B-1	38,10	71,30	38,10	76,20	108,4	4,80	26,67	10,50	PHC 24B-1...
-	28B-1	44,45	81,10	44,45	88,90	123,0	6,00	28,58	13,10	PHC 28B-1...
-	32B-1	50,80	92,80	50,80	101,60	142,8	6,00	31,75	13,10	PHC 32B-1...

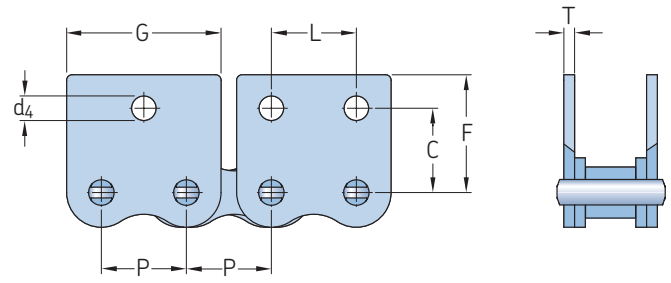
To complete designation, add attachment spacing and type followed by chain length. For example, PHC 80-1-L2WA2X10FT (ANSI 80-1 with WA-2 attachment on every second link, 10 ft. length). Note: Also available in stainless steel. When ordering, add SS after the chain number. For example, PHC 80-1SS-L2WA2X10FT.

Roller chain attachments

WSA-1 · WSA-2 | WSK-1 · WSK-2



WSA-1, WSA-2



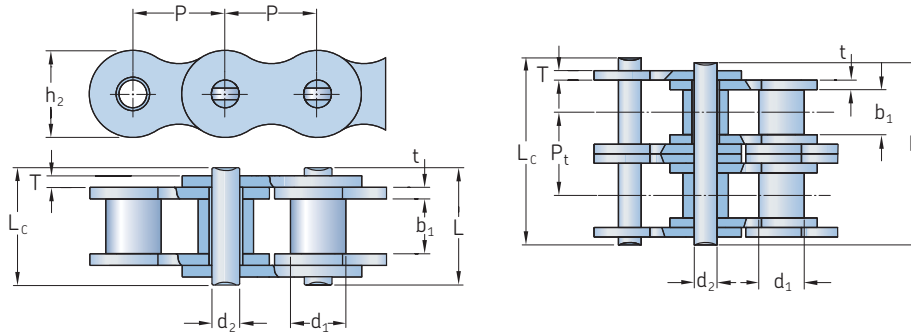
WSK-1, WSK-2

ANSI Chain number	BS/ISO Chain number	Dimensions							Designation
		P	G	L	C	F	T	d ₄	
		mm							
35-1	06C-1	9,53	17,32	9,53	9,50	14,55	1,30	2,8	PHC 35-1...
40-1	08A-1	12,70	23,00	12,70	12,70	17,40	1,50	3,4	PHC 40-1...
41-1	085-1	12,70	21,20	12,70	11,85	16,55	1,30	3,6	PHC 41-1...
50-1	10A-1	15,88	28,80	15,88	15,90	23,05	2,03	5,5	PHC 50-1...
60-1	12A-1	19,05	34,65	19,05	18,30	26,86	2,42	5,5	PHC 60-1...
80-1	16A-1	25,40	45,90	25,40	24,60	35,45	3,25	6,8	PHC 80-1...
100-1	20A-1	31,75	57,65	31,75	31,80	44,00	4,00	9,2	PHC 100-1...
120-1	24A-1	38,10	69,30	38,10	36,50	51,60	4,80	9,8	PHC 120-1...
140-1	28A-1	44,45	80,45	44,45	44,50	62,00	5,60	11,4	PHC 140-1...
160-1	32A-1	50,80	92,00	50,80	50,80	69,85	6,40	13,1	PHC 160-1...
200-1	40A-1	63,50	115,50	63,50	63,50	88,90	8,00	16,3	PHC 200-1...
-	08B-1	12,70	23,30	12,70	13,35	18,90	1,60	4,3	PHC 08B-1...
-	10B-1	15,88	29,58	15,88	16,50	22,95	1,70	5,3	PHC 10B-1...
-	12B-1	19,05	34,05	19,05	21,45	28,60	1,85	6,4	PHC 12B-1...
-	16B-1	25,40	46,40	25,40	23,15	34,00	3,10	6,4	PHC 16B-1...
-	20B-1	31,75	58,10	31,75	30,50	45,70	3,50	9,0	PHC 20B-1...

To complete designation, add attachment spacing and type followed by chain length. For example, PHC 80-1-L4WSA1X10FT (ANSI 80-1 with WSA-1 attachment on every fourth link, 10 ft. length). Note: Also available in stainless steel. When ordering, add SS after the chain number. For example, PHC 80-1SS L4WSA1X10FT.

SKF Xtra Strength Chains

H Chains | SH Chains | SPH Chains



Xtra Strength type	ANSI Chain number	Dimensions						Pin length cotted L _c Max.	Inner plate height h ₂ Max.	Plate thickness T Max.	Transverse pitch P _t	Ultimate tensile strength Q Min.	Average tensile strength Q ₀	Mass per meter	Designation	
		Pitch P	Roller diameter d ₂ Max.	Width between inner plates b ₁ Min.	Pin diameter d ₁ Max.	Pin length L Max.	L _c Max.									
mm																
H	35H-1 ¹⁾	9,53	5,08	4,77	3,58	13,3	14,3	-	9,00	1,50	-	7,9	10,8	0,41	PHC 35H-1...	
	40H-1	12,70	7,95	7,85	3,96	18,8	19,9	-	12,00	2,03	-	14,1	19,1	0,82	PHC 40H-1...	
	50H-1	15,88	10,16	9,40	5,08	22,1	23,4	24,4	15,09	2,42	-	22,2	30,2	1,25	PHC 50H-1...	
	60H-1	19,05	11,91	12,57	5,94	29,2	31,0	31,6	18,00	3,25	-	31,8	42,7	1,87	PHC 60H-1...	
	80H-1	25,40	15,88	15,75	7,92	36,2	37,7	39,4	24,00	4,00	-	56,7	71,4	3,10	PHC 80H-1...	
	100H-1	31,75	19,05	18,90	9,53	43,6	46,9	46,9	30,00	4,80	-	88,5	112,4	4,52	PHC 100H-1...	
	120H-1	38,10	22,23	25,22	11,10	53,5	57,5	57,5	35,70	5,60	-	127,0	160,9	6,60	PHC 120H-1...	
	140H-1	44,45	25,40	25,22	12,70	57,6	62,2	62,2	41,00	6,40	-	172,4	217,3	8,30	PHC 140H-1...	
	160H-1	50,80	28,58	31,55	14,27	68,2	73,0	73,0	47,80	7,20	-	226,8	285,8	10,30	PHC 160H-1...	
	180H-1	57,15	35,71	35,48	17,46	75,9	81,6	-	53,60	8,00	-	281,0	341,8	14,83	PHC 180H-1...	
	200H-1	63,50	39,68	37,85	19,85	86,6	93,5	93,5	60,00	9,50	-	353,8	444,5	19,16	PHC 200H-1...	
	240H-1	76,20	47,63	47,35	23,81	109,6	115,9	-	72,30	12,70	-	510,3	622,5	30,40	PHC 240H-1...	
	60H-2	19,05	11,91	12,57	5,94	55,3	57,1	57,7	18,00	3,25	26,11	63,6	84,5	3,71	PHC 60H-2...	
	80H-2	25,40	15,88	15,75	7,92	68,8	70,3	72,0	24,00	4,00	32,59	113,4	145,3	6,15	PHC 80H-2...	
	100H-2	31,75	19,05	18,90	9,53	82,7	86,0	86,0	30,00	4,80	39,09	177,0	225,9	9,03	PHC 100H-2...	
	120H-2	38,10	22,23	25,22	11,10	102,4	106,4	106,4	35,70	5,60	48,87	254,0	322,7	13,13	PHC 120H-2...	
	140H-2	44,45	25,40	25,22	12,70	109,8	114,4	114,4	41,00	6,40	52,20	344,8	437,7	16,60	PHC 140H-2...	
	160H-2	50,80	28,58	31,55	14,27	130,1	134,9	134,9	47,80	7,20	61,90	453,6	571,6	20,20	PHC 160H-2...	
	200H-2	63,50	39,68	37,85	19,85	164,9	171,8	171,8	60,00	9,50	78,31	707,6	894,9	38,11	PHC 200H-2...	
	60H-3	19,05	11,91	12,57	5,94	81,4	83,2	83,8	18,00	3,25	26,11	95,4	113,9	5,54	PHC 60H-3...	
	80H-3	25,40	15,88	15,75	7,92	101,4	102,9	104,6	24,00	4,00	32,59	170,1	203,5	9,42	PHC 80H-3...	
	100H-3	31,75	19,05	18,90	9,53	121,8	125,1	125,1	30,00	4,80	39,09	265,5	314,8	12,96	PHC 100H-3...	
	120H-3	38,10	22,23	25,22	11,10	151,2	155,2	155,2	35,70	5,60	48,87	381,0	444,7	19,64	PHC 120H-3...	
	140H-3	44,45	25,40	25,22	12,70	162,0	166,6	166,6	41,00	6,40	52,20	517,2	598,4	24,90	PHC 140H-3...	
	160H-3	50,80	28,58	31,55	14,27	192,0	196,8	196,8	47,80	7,20	61,90	680,4	787,3	30,10	PHC 160H-3...	
	200H-3	63,50	39,68	37,85	19,85	243,2	250,1	250,1	60,00	9,50	78,31	1 061,4	1 228,2	57,06	PHC 200H-3...	
	SH	25SH-1 ¹⁾	6,35	3,30	3,18	2,01	9,0	-	6,00	2,01	-	5,1	5,6	2,17	PHC 25SH-1X...	
		35SH-1 ¹⁾	9,53	5,08	4,77	3,58	13,3	14,3	9,00	1,50	-	11,0	13,6	0,41	PHC 35SH-1X...	
		40SH-1	12,70	7,95	7,85	3,96	18,8	19,9	-	12,00	2,03	-	22,4	24,8	0,82	PHC 40SH-1X...
		50SH-1	15,88	10,16	9,40	5,08	22,1	23,4	-	15,09	2,42	-	30,4	36,2	1,25	PHC 50SH-1X...
60SH-1		19,05	11,91	12,57	5,94	29,2	31,6	-	18,00	3,25	-	44,1	50,4	1,87	PHC 60SH-1X...	
80SH-1		25,40	15,88	15,75	7,92	36,2	37,7	-	24,00	4,00	-	88,2	93,0	3,10	PHC 80SH-1X...	
100SH-1		31,75	19,05	18,90	9,53	43,6	46,9	-	30,00	4,80	-	116,6	129,1	4,52	PHC 100SH-1X...	
120SH-1		38,10	22,23	25,22	11,10	53,5	57,5	-	35,70	5,60	-	158,2	175,3	6,60	PHC 120SH-1X...	
140SH-1		44,45	25,40	25,22	12,70	57,6	62,2	-	41,00	6,40	-	206,0	266,5	8,30	PHC 140SH-1X...	
160SH-1		50,80	28,58	31,55	14,27	68,2	73,0	-	47,80	7,20	-	274,0	293,0	10,30	PHC 160SH-1X...	
200SH-1		63,50	39,68	37,85	19,85	86,6	93,5	-	60,00	9,50	-	506,1	562,3	19,16	PHC 200SH-1X...	
SPH		80SPH-1	25,40	15,88	15,75	7,94	32,7	36,5	-	24,10	3,20	-	77,5	85,3	2,86	PHC80SPH-1X...
		100SPH-1	31,75	19,05	18,95	9,54	40,4	44,7	-	30,10	4,00	-	115,5	127,0	4,21	PHC100SPH-1X...
		120SPH-1	38,10	22,23	25,22	11,11	50,3	54,3	-	36,20	4,80	-	165,0	186,0	6,36	PHC120SPH-1X...
		140SPH-1	44,45	25,40	25,22	12,71	54,4	59,0	-	42,20	5,60	-	222,7	245,0	8,04	PHC140SPH-1X...
	160SPH-1	50,80	28,58	31,55	14,29	64,8	69,6	-	48,20	6,40	-	285,5	314,0	10,80	PHC160SPH-1X...	
	200SPH-1	63,50	39,68	37,85	19,85	80,3	87,2	-	60,30	8,00	-	445,5	490,0	18,00	PHC200SPH-1X...	
	80SPH-2	25,40	15,88	15,75	7,94	62,7	65,8	-	24,10	3,20	29,29	155,0	170,6	5,68	PHC80SPH-2X...	
	100SPH-2	31,75	19,05	18,95	9,54	76,4	80,5	-	30,10	4,00	35,76	231,0	255,0	8,34	PHC100SPH-2X...	
	120SPH-2	38,10	22,23	25,22	11,11	95,8	99,7	-	36,20	4,80	45,44	339,0	373,0	12,63	PHC120SPH-2X...	
	140SPH-2	44,45	25,40	25,22	12,71	103,3	107,9	-	42,20	5,60	48,87	445,5	490,0	15,92	PHC140SPH-2X...	
	160SPH-2	50,80	28,58	31,55	14,29	123,3	128,1	-	48,20	6,40	58,55	571,0	628,0	21,43	PHC160SPH-2X...	
	200SPH-2	63,50	39,68	37,85	19,85	151,9	158,8	-	60,30	8,00	71,55	892,0	981,0	35,00	PHC200SPH-2X...	
	80SPH-3	25,40	15,88	15,75	7,94	91,7	95,1	-	24,10	3,20	29,29	232,5	255,9	8,18	PHC80SPH-3X...	
	100SPH-3	31,75	19,05	18,95	9,54	112,2	116,3	-	30,10	4,00	35,76	347,3	382,0	12,47	PHC100SPH-3X...	
	120SPH-3	38,10	22,23	25,22	11,11	141,4	145,2	-	36,20	4,80	45,44	508,0	559,0	18,90	PHC120SPH-3X...	

¹⁾ Bushing chain: d₁ indicates external diameter of bushing.
 Standard lengths are 10 ft. and 5 m. To complete designation, add chain length. For example, a 5 m box of 160H-1 is PHC 160H-1X5MTR.
 One connecting link is contained per chain. For additional links, add "C/L" for connecting and "O/L" for "offset" to the designation.
 For cotted, add a "C" after the number of strands. For example, 160H-1 with a cotted pin is designated PHC 160H-1C...
 For heavy duty multistrand chain drives with H, SH or SHH chains, special sprockets are needed due to differences in transverse pitch.

SKF Xtra Strength Chains
SPH Chains | SHH Chains

Xtra Strength type	ANSI Chain number	Dimensions		Width between inner plates b ₁ Min.	Pin diameter d ₂ Max.	Pin length		Pin length cotted L _c Max.	Inner plate height h ₂ Max.	Plate thickness T Max.	Transverse pitch P _t	Ultimate tensile strength Q Min.	Average tensile strength Q ₀	Mass per meter	Designation
		Pitch P	Roller diameter d ₁ Max.			L Max.	L _c Max.								
–	–	mm										kN		kg/m	–
SPH	140SPH-3	44,45	25,40	25,22	12,71	152,2	156,8	–	42,20	5,60	48,87	668,0	735,0	23,84	PHC140SPH-3X...
	160SPH-3	50,80	28,58	31,55	14,29	181,8	186,6	–	48,20	6,40	58,55	855,5	941,0	32,10	PHC160SPH-3X...
	200SPH-3	63,50	39,68	37,85	19,85	223,5	230,4	–	60,30	8,00	71,55	1 336,4	1 470,0	52,50	PHC200SPH-3X...
SHH	80SHH-1	25,40	15,88	15,75	7,94	36,2	38,9	–	24,10	4,00	–	89,2	98,1	3,36	PHC 80SHH-1X...
	100SHH-1	31,75	19,05	18,90	9,54	43,6	46,9	–	30,10	4,80	–	131,8	145,0	4,90	PHC 100SHH-1X...
	120SHH-1	38,10	22,23	25,22	11,11	53,5	57,5	–	36,20	5,60	–	176,0	196,0	7,12	PHC 120SHH-1X...
	140SHH-1	44,45	25,40	25,22	12,71	57,6	62,2	–	42,20	6,40	–	231,9	255,0	8,88	PHC 140SHH-1X...
	160SHH-1	50,80	28,58	31,55	14,29	68,2	73,0	–	48,20	7,20	–	294,5	324,0	11,72	PHC 160SHH-1X...
	200SHH-1	63,50	39,68	37,85	19,85	86,6	93,5	–	60,30	9,50	–	543,6	598,0	19,80	PHC 200SHH-1X...
	80SHH-2	25,40	15,88	15,75	7,94	68,8	72,0	–	24,10	4,00	32,59	178,4	196,2	6,65	PHC 80SHH-2X...
	100SHH-2	31,75	19,05	18,90	9,54	82,7	86,0	–	30,10	4,80	39,09	263,6	290,0	9,71	PHC 100SHH-2X...
	120SHH-2	38,10	22,23	25,22	11,11	102,4	106,4	–	36,20	5,60	48,87	356,4	392,0	14,12	PHC 120SHH-2X...
	140SHH-2	44,45	25,40	25,22	12,71	109,8	114,4	–	42,20	6,40	52,20	463,6	510,0	17,38	PHC 140SHH-2X...
	160SHH-2	50,80	28,58	31,55	14,29	130,1	134,9	–	48,20	7,20	61,90	588,0	647,0	23,00	PHC 160SHH-2X...
	200SHH-2	63,50	39,68	37,85	19,85	164,9	171,8	–	60,30	9,50	78,31	1 091,0	1 200,0	38,50	PHC 200SHH-2X...
	80SHH-3	25,40	15,88	15,75	7,94	101,4	104,6	–	24,10	4,00	32,59	267,6	294,3	9,95	PHC 80SHH-3X...
	100SHH-3	31,75	19,05	18,90	9,54	121,8	125,1	–	30,10	4,80	39,09	395,4	435,0	14,53	PHC 100SHH-3X...
	120SHH-3	38,10	22,23	25,22	11,11	151,2	155,2	–	36,20	5,60	48,87	534,5	588,0	21,12	PHC 120SHH-3X...
	140SHH-3	44,45	25,40	25,22	12,71	162,0	166,6	–	42,20	6,40	52,20	695,5	765,0	25,88	PHC 140SHH-3X...
	160SHH-3	50,80	28,58	31,55	14,29	192,0	196,8	–	48,20	7,20	61,90	882,7	971,0	34,22	PHC 160SHH-3X...
	200SHH-3	63,50	39,68	37,85	19,85	243,2	250,1	–	60,30	9,50	78,31	1 627,3	1 790,0	57,29	PHC 200SHH-3X...

¹⁾ Bushing chain: d₃ indicates external diameter of bushing.

Standard lengths are 10 ft. and 5 m. To complete designation, add chain length. For example, a 5 m box of 160H-1 is PHC 160H-1X5MTR.

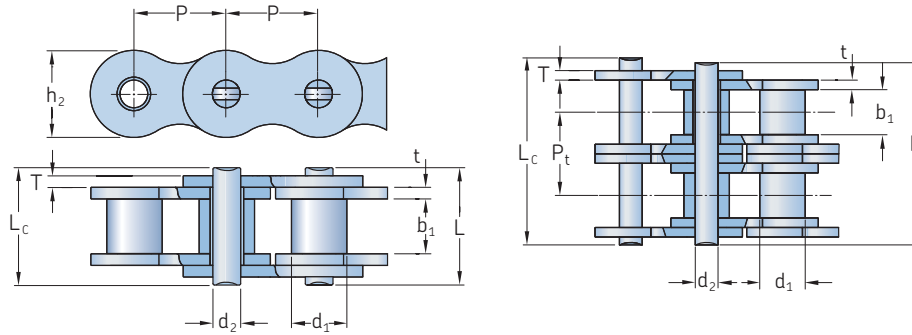
One connecting link is contained per chain. For additional links, add "C/L" for connecting and "O/L" for "offset" to the designation.

For cotted, add a "C" after the number of strands. For example, 160H-1 with a cotted pin is designated PHC 160H-1C...

For heavy duty multistrand chain drives with H, SH or SHH chains, special sprockets are needed due to differences in transverse pitch.

SKF Xtra Corrosion Resistant Chains

Stainless steel chains | Nickel-plated, zinc-plated and dacrotized chains



Corrosion resistance type	Chain number	Dimensions					Pin length	Inner plate height	Plate thickness	Ultimate tensile strength	Mass per meter	Designation			
		Pitch	Roller diameter	Width between inner plates	Pin diameter	Pin length									
		P	d ₁ Max.	b ₁ Min.	d ₂ Max.	L	L _c	h ₂ Max.	t Max.	T Max.	Q Min.				
		mm											kN	kg/m	-
SS	25-1SS ¹⁾	6,35	3,30	3,18	2,31	7,90	8,40	6,00	0,80	0,80	2,5	0,15	PHC 25-1SS...		
Plated	25-1 ¹⁾	6,35	3,30	3,18	2,31	7,90	8,40	6,00	0,80	0,80	3,5	0,15	PHC 25-1...		
SS	35-1SS ¹⁾	9,53	5,08	4,77	3,58	12,40	13,17	9,00	1,30	1,30	5,5	0,33	PHC 35-1SS...		
Plated	35-1 ¹⁾	9,53	5,08	4,77	3,58	12,40	13,17	9,00	1,30	1,30	7,9	0,33	PHC 35-1...		
SS	40-1SS	12,70	7,95	7,85	3,96	16,60	17,80	12,00	1,50	1,50	9,6	0,63	PHC 40-1SS...		
Plated	40-1	12,70	7,95	7,85	3,96	16,60	17,80	12,00	1,50	1,50	14,1	0,62	PHC 40-1...		
SS	41-1SS	12,70	7,77	6,25	3,58	13,75	15,00	9,91	1,30	1,30	6,0	0,46	PHC 41-1SS...		
Plated	41-1	12,70	7,77	6,25	3,58	13,75	15,00	9,91	1,30	1,30	6,7	0,41	PHC 41-1...		
SS	50-1SS	15,88	10,16	9,40	5,08	20,70	22,20	15,09	2,03	2,03	15,2	1,03	PHC 50-1SS...		
Plated	50-1	15,88	10,16	9,40	5,08	20,70	22,20	15,09	2,03	2,03	22,2	1,02	PHC 50-1...		
SS	60-1SS	19,05	11,91	12,57	5,94	25,90	27,70	18,00	2,42	2,42	21,7	1,51	PHC 60-1SS...		
Plated	60-1	19,05	11,91	12,57	5,94	25,90	27,70	18,00	2,42	2,42	31,8	1,50	PHC 60-1...		
SS	80-1SS	25,40	15,88	15,75	7,92	32,70	35,00	24,00	3,25	3,25	38,9	2,62	PHC 80-1SS...		
Plated	80-1	25,40	15,88	15,75	7,92	32,70	35,00	24,00	3,25	3,25	56,7	2,60	PHC 80-1...		
SS	100-1SS	31,75	19,05	18,90	9,53	40,40	44,70	30,00	4,00	4,00	60,0	3,94	PHC 100-1SS...		
Plated	100-1	31,75	19,05	18,90	9,53	40,40	44,70	30,00	4,00	4,00	88,5	3,91	PHC 100-1...		
SS	120-1SS	38,10	22,23	25,22	11,10	50,30	54,30	35,70	4,80	4,80	72,5	5,72	PHC 120-1SS...		
Plated	120-1	38,10	22,23	25,22	11,10	50,30	54,30	35,70	4,80	4,80	127,0	5,62	PHC 120-1...		
SS	140-1SS	44,45	25,40	25,22	12,70	54,40	59,00	41,00	5,60	5,60	94,0	7,70	PHC 140-1SS...		
Plated	140-1	44,45	25,40	25,22	12,70	54,40	59,00	41,00	5,60	5,60	172,4	7,50	PHC 140-1...		
Plated	160-1	50,80	28,58	31,55	14,27	64,80	69,60	47,80	6,40	6,40	226,8	10,10	PHC 160-1...		
SS	04B-1SS	6,00	4,00	2,80	1,85	6,80	7,80	5,00	0,60	0,60	2,0	0,11	PHC 04B-1SS...		
Plated	04B-1	6,00	4,00	2,80	1,85	6,80	7,80	5,00	0,60	0,60	3,0	0,11	PHC 04B-1...		
SS	05B-1SS	8,00	5,00	3,00	2,31	8,20	8,90	7,10	0,80	0,80	3,5	0,20	PHC 05B-1SS...		
Plated	05B-1	8,00	5,00	3,00	2,31	8,20	8,90	7,10	0,80	0,80	5,0	0,20	PHC 05B-1...		
SS	06B-1SS ²⁾	9,53	6,35	5,72	3,28	13,15	14,10	8,20	1,30	1,30	6,2	0,41	PHC 06B-1SS...		
Plated	06B-1 ²⁾	9,53	6,35	5,72	3,28	13,15	14,10	8,20	1,30	1,30	9,0	0,41	PHC 06B-1...		
SS	08B-1SS	12,70	8,51	7,75	4,45	16,70	18,20	11,80	1,60	1,60	12,0	0,70	PHC 08B-1SS...		
Plated	08B-1	12,70	8,51	7,75	4,45	16,70	18,20	11,80	1,60	1,60	18,0	0,69	PHC 08B-1...		
SS	10B-1SS	15,88	10,16	9,65	5,08	19,50	20,90	14,70	1,70	1,70	14,5	0,94	PHC 10B-1SS...		
Plated	10B-1	15,88	10,16	9,65	5,08	19,50	20,90	14,70	1,70	1,70	22,4	0,93	PHC 10B-1...		
SS	12B-1SS	19,05	12,07	11,68	5,72	22,50	24,20	16,00	1,85	1,85	18,5	1,16	PHC 12B-1SS...		
Plated	12B-1	19,05	12,07	11,68	5,72	22,50	24,20	16,00	1,85	1,85	29,0	1,15	PHC 12B-1...		
SS	16B-1SS	25,40	15,88	17,02	8,28	36,10	37,40	21,00	4,15	3,10	40,0	2,73	PHC 16B-1SS...		
Plated	16B-1	25,40	15,88	17,02	8,28	36,10	37,40	21,00	4,15	3,10	60,0	2,71	PHC 16B-1...		
SS	20B-1SS	31,75	19,05	19,56	10,19	41,30	45,00	26,40	4,50	3,50	59,0	3,73	PHC 20B-1SS...		
Plated	20B-1	31,75	19,05	19,56	10,19	41,30	45,00	26,40	4,50	3,50	95,0	3,70	PHC 20B-1...		
SS	24B-1SS	38,10	25,40	25,40	14,63	53,40	57,80	33,20	6,00	4,80	104,0	7,20	PHC 24B-1SS...		
Plated	24B-1	38,10	25,40	25,40	14,63	53,40	57,80	33,20	6,00	4,80	160,0	7,10	PHC 24B-1...		
Plated	28B-1	44,45	27,94	30,99	15,90	65,10	69,50	36,70	7,50	6,00	200,0	8,50	PHC 28B-1...		
SS	32B-1SS	50,80	29,21	30,99	17,81	66,00	71,00	42,00	7,00	6,00	150,0	10,22	PHC 32B-1SS...		
Plated	32B-1	50,80	29,21	30,99	17,81	66,00	71,00	42,00	7,00	6,00	250,0	10,25	PHC 32B-1...		

¹⁾ Bushing chain: d₂ indicates external diameter of bushing. ²⁾ Straight side plates. Note: Duplex and double pitch plated chains are available in all sizes.

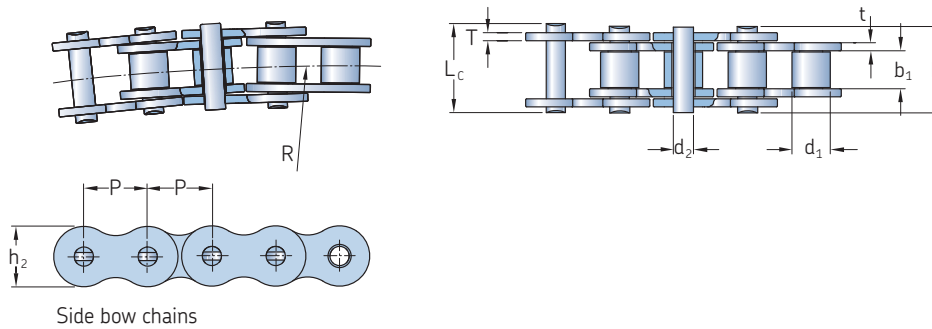
When ordering plated chains, add suffix according to material selection after chain number: DR for dacrotized, NP for nickel-plated and ZP for zinc plated. For example, PHC 50-1DR... 50-1 ANSI Simplex dacrotized chain and PHC 60-2NP... ANSI Duplex nickel-plated chain.

Standard lengths are 10 ft. and 5 m. To complete designation, add chain length. For example, a 10 ft. box of 12B-1NP is PHC 12B-1NP10FT.

One connecting link is contained per chain. For additional links, add "C/L" for "connecting" and "O/L" for "offset" to the designation.

Roller chains

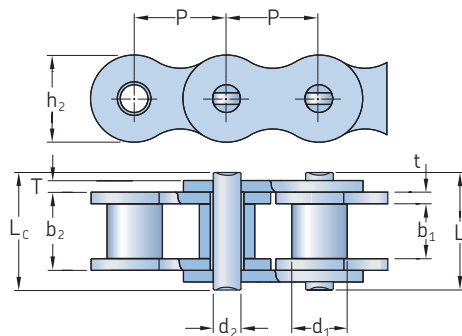
Side bow | SKF Xtra Performance SLR Chains



Side bow chains

Chain number	Dimensions		Width between inner plates b_1 Min.	Pin diameter d_2 Max.	Pin length		Inner plate height h_2 Max.	Plate thickness		Side bow radius R Min.	Ultimate tensile strength Q Min.	Average tensile strength Q_0	Mass per meter	Designation	
	Pitch P	Roller diameter d_1 Max.			L Max.	L_c Max.		t Max.	T Max.						
mm													kN	kg/m	-
40-1SB	12,70	7,95	7,85	3,96	16,9	18,1	11,7	1,50	1,50	350	13,8	15,2	0,80	PHC 40-1SB...	
43-1SB	12,70	7,95	7,85	3,45	18,3	19,5	11,7	1,50	1,50	305	12,0	13,2	0,64	PHC 43-1SB...	
50-1SB	15,88	10,16	9,40	4,37	20,7	22,7	14,9	2,03	2,03	400	20,6	22,7	1,09	PHC 50-1SB...	
60-1SB	19,05	11,91	12,57	5,34	26,6	28,4	18,0	2,42	2,42	500	15,7	17,3	1,54	PHC 60-1SB...	
63-1SB	19,05	11,91	12,68	5,08	28,8	30,6	17,2	2,42	2,03	350	12,5	20,0	1,40	PHC 63-1SB...	
80-1SB	25,40	15,88	15,75	7,19	34,0	37,3	24,0	3,25	3,25	711	40,9	42,0	2,60	PHC 80-1SB...	
08B-1SB	12,70	8,51	7,75	3,97	17,4	18,7	11,8	1,60	1,60	400	14,0	15,4	0,70	PHC 08B-1SB...	
10B-1SB	15,88	10,16	9,65	4,50	20,1	21,5	14,7	1,70	1,70	400	15,6	17,2	0,93	PHC 10B-1SB...	
12B-1SB	19,05	12,07	11,68	5,12	23,1	24,8	16,0	1,85	1,85	500	20,5	22,6	1,16	PHC 12B-1SB...	
C2050-1SB	31,75	10,16	9,40	5,08	21,3	22,6	15,0	2,03	2,03	800	21,8	24,1	0,84	PHC C2050-1SB...	

Standard lengths are 10 ft. and 5 m. To complete designation, add chain length. For example, a 5 m box of 60-1SB is PHC 60-1SBX5MTR. One connecting link is contained per chain. For additional links, add "C/L" for "connecting" and "O/L" for "offset" to the designation.

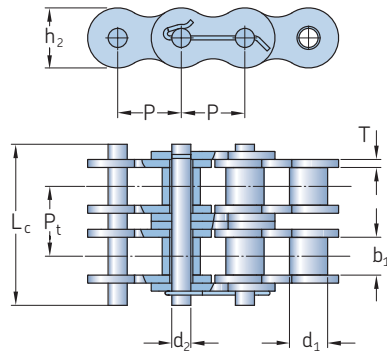


SKF Xtra Performance SLR Chains

Chain number	Dimensions		Width between inner plates b_1 Min.	Width between outer plates b_2 Min.	Pin diameter d_2 Max.	Pin length		Inner plate height h_2 Max.	Plate thickness		Ultimate tensile strength Q Min.	Mass per meter	Designation		
	Pitch P	Roller diameter d_1 Max.				L Max.	L_c Max.		t Max.	T Max.					
mm													kN	kg/m	-
08B-1SLR	12,70	8,51	7,75	13,03	4,45	16,7	18,2	11,8	1,60	1,60	18,0	0,69	PHC 08B-1SLR...		
10B-1SLR	15,88	10,16	9,65	13,75	5,08	19,5	20,9	14,7	1,70	1,70	22,4	0,93	PHC 10B-1SLR...		
12B-1SLR	19,05	12,07	11,68	15,75	5,72	22,5	24,2	16,0	1,85	1,85	29,0	1,15	PHC 12B-1SLR...		
16B-1SLR	25,40	15,88	17,02	27,50	8,28	36,1	37,4	21,0	4,15	3,10	60,0	2,71	PHC 16B-1SLR...		
12B-2SLR	19,05	12,07	11,68	35,21	5,72	42,0	43,6	16,0	1,85	1,85	58,0	2,31	PHC 12B-2SLR...		
16B-2SLR	25,40	15,88	17,02	57,46	8,28	68,0	69,3	21,0	4,15	3,10	106,0	5,42	PHC 16B-2SLR...		
40-1SLR	12,70	7,95	7,85	12,25	3,96	16,6	17,8	12,0	1,50	1,50	14,1	0,62	PHC 40-1SLR...		
50-1SLR	15,88	10,16	9,40	13,84	5,08	20,7	22,2	15,1	2,03	2,03	21,8	1,02	PHC 50-1SLR...		
60-1SLR	19,05	11,91	12,57	19,35	5,94	27,5	29,3	18,0	2,42	2,42	34,2	1,65	PHC 60-1SLR...		
80-1SLR	25,40	15,88	15,75	22,66	7,92	32,7	35,0	24,0	3,25	3,25	56,7	2,60	PHC 80-1SLR...		
100-1SLR	31,75	19,05	18,90	27,51	9,53	40,4	44,7	30,0	4,00	4,00	86,7	3,94	PHC 100-1SLR...		
60-2SLR	19,05	11,91	12,57	42,13	5,94	50,3	52,1	18,0	3,25	2,42	68,4	3,21	PHC 60-2SLR...		

Standard lengths are 10 ft. and 5 m. To complete designation, add chain length. For example, a 10 ft. box of 10B-1SLR is PHC 10B-1SLRX10FT. One connecting link is contained per chain. For additional links, add "C/L" for "connecting" and "O/L" for "offset" to the designation.

Oil field chains

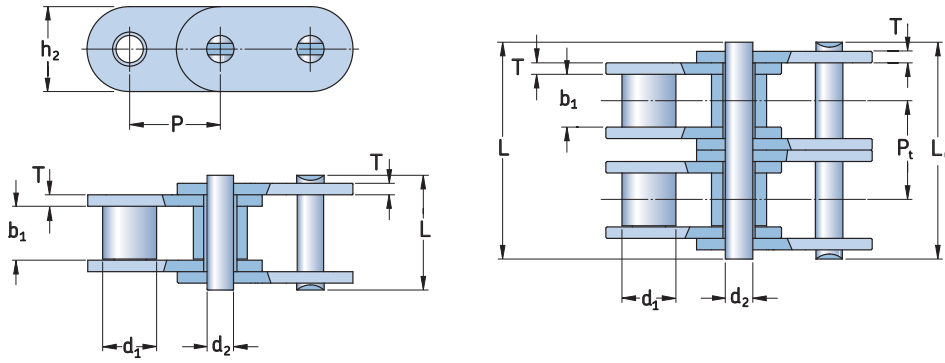


Chain number	ANSI Chain number	Dimensions Pitch P	Roller diameter d ₁ Max.	Width between inner plates b ₁ Min.	Pin diameter d ₂ Max.	Pin length L Max.	Inner plate height h ₂ Max.	Plate thickness T Max.	Transverse pitch P _t	Ultimate tensile strength Q Min.	Mass per meter	Designation
-										kN	kg/m	-
-										mm		
165-1	80-1	25,40	15,88	15,75	7,92	37,55	24,1	3,25	-	55,6	2,60	PHC 165-1...
205-1	100-1	31,75	19,05	18,90	9,53	44,30	30,0	4,00	-	86,9	3,91	PHC 205-1...
245-1	120-1	38,10	22,23	25,22	11,10	54,40	36,2	4,80	-	125,1	5,62	PHC 245-1...
285-1	140-1	44,45	25,40	25,22	12,70	59,00	42,2	5,60	-	170,3	7,50	PHC 285-1...
325-1	160-1	50,80	28,58	31,55	14,27	69,60	48,2	6,40	-	222,4	10,10	PHC 325-1...
365-1	180-1	57,15	35,71	35,48	17,46	78,60	54,3	7,20	-	281,5	13,45	PHC 365-1...
405-1	200-1	63,50	39,68	37,85	19,85	87,20	60,3	8,00	-	347,5	16,15	PHC 405-1...
165-2	80-2	25,40	15,88	15,75	7,92	66,80	24,1	3,25	29,29	111,2	5,15	PHC 165-2...
205-2	100-2	31,75	19,05	18,90	9,53	80,50	30,1	4,00	35,76	173,7	7,80	PHC 205-2...
245-2	120-2	38,10	22,23	25,22	11,10	99,70	36,2	4,80	45,44	250,2	11,70	PHC 245-2...
285-2	140-2	44,45	25,40	25,22	12,70	107,80	42,2	5,60	48,87	340,5	15,14	PHC 285-2...
325-2	160-2	50,80	28,58	31,55	14,27	127,50	48,2	6,40	58,55	444,8	20,14	PHC 325-2...
365-2	180-2	57,15	35,71	35,48	17,46	144,40	54,3	7,20	65,84	562,9	29,22	PHC 365-2...
405-2	200-2	63,50	39,68	37,85	19,85	158,80	60,3	8,00	71,55	695,0	32,24	PHC 405-2...
165-3	80-3	25,40	15,88	15,75	7,92	96,10	24,1	3,25	29,29	166,8	7,89	PHC 165-3...
205-3	100-3	31,75	19,05	18,90	9,53	116,30	30,1	4,00	35,76	260,6	11,77	PHC 205-3...
245-3	120-3	38,10	22,23	25,22	11,10	145,20	36,2	4,80	45,44	375,3	17,53	PHC 245-3...
285-3	140-3	44,45	25,40	25,22	12,70	156,80	42,2	5,60	48,87	510,8	22,20	PHC 285-3...
325-3	160-3	50,80	28,58	31,55	14,27	186,60	48,2	6,40	58,55	667,2	30,02	PHC 325-3...
365-3	180-3	57,15	35,71	35,48	17,46	210,20	54,3	7,20	65,84	844,4	38,22	PHC 365-3...
405-3	200-3	63,50	39,68	37,85	19,85	230,40	60,3	8,00	71,55	1 042,5	49,03	PHC 405-3...
165-4	80-4	25,40	-	15,75	7,92	122,90	24,1	3,25	29,29	222,4	10,24	PHC 165-4...
205-4	100-4	31,75	19,05	18,90	9,53	151,50	30,1	4,00	35,76	347,5	15,39	PHC 205-4...
245-4	120-4	38,10	22,23	25,22	11,10	190,60	36,2	4,80	45,44	500,4	22,19	PHC 245-4...
285-4	140-4	44,45	25,40	25,22	12,70	205,70	42,2	5,60	48,87	681,1	29,63	PHC 285-4...
325-4	160-4	50,80	28,58	31,55	14,27	245,20	48,2	6,40	58,55	889,6	39,94	PHC 325-4...
405-4	200-4	63,50	39,68	37,85	19,85	302,00	60,3	8,00	71,55	1 390,0	63,60	PHC 405-4...
165-5	80-5	25,40	-	15,75	7,92	152,20	24,1	3,25	29,29	278,0	12,79	PHC 165-5...
205-5	100-5	31,75	19,05	18,90	9,53	187,80	30,1	4,00	35,76	434,4	19,22	PHC 205-5...
245-5	120-5	38,10	22,23	25,22	11,10	236,10	36,2	4,80	45,44	625,5	27,71	PHC 245-5...
165-6	80-6	25,40	15,88	15,75	7,92	181,50	24,1	3,25	29,29	333,6	15,34	PHC 165-6...
205-6	100-6	31,75	19,05	18,90	9,53	223,60	30,1	4,00	35,76	521,2	23,05	PHC 205-6...
245-6	120-6	38,10	22,23	25,22	11,10	281,60	36,2	4,80	45,44	750,6	33,24	PHC 245-6...
285-6	140-6	44,45	25,40	25,22	12,70	303,40	42,2	5,60	48,87	1 021,6	44,38	PHC 285-6...
325-6	160-6	50,80	28,58	31,55	14,27	362,30	48,2	6,40	58,55	1 334,4	59,83	PHC 325-6...
405-6	200-6	63,50	39,68	37,85	19,85	445,00	60,3	8,00	71,55	2 085,0	95,23	PHC 405-6...
165-8	80-8	25,40	15,88	15,75	7,92	240,10	24,1	3,25	29,29	444,8	20,44	PHC 165-8...
205-8	100-8	31,75	19,05	18,90	9,53	295,10	30,1	4,00	35,76	695,0	30,71	PHC 205-8...
245-8	120-8	38,10	22,23	25,22	11,10	372,40	36,2	4,80	45,44	1 000,8	44,28	PHC 245-8...

Standard lengths are 10 ft. To complete designation, add chain length. For example, a 10 ft. box of 405-6 is PHC 405-6X10FT. One connecting link is contained per chain. For additional links, add "C/L" for "connecting" and "O/L" for "offset" to the designation.

Straight side plate chains

A series | B series

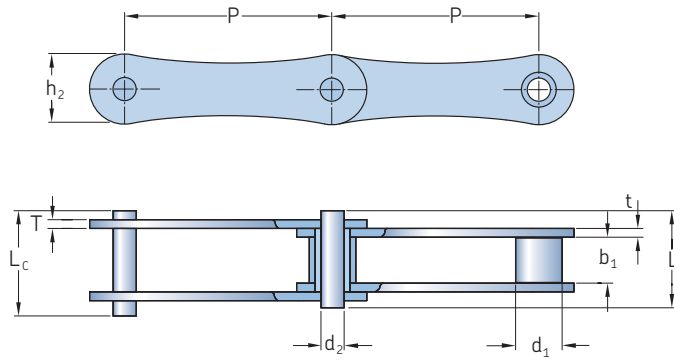


Series	DIN/ISO Chain number	ANSI Chain number	Dimensions			Pin diameter d ₂ Max.	Pin length		Inner plate height h ₂ Max.	Plate thickness t		Transverse pitch P _t	Ultimate tensile strength Q Min.	Average tensile strength Q ₀	Mass per meter q	Designation
			Pitch P	Roller diameter d ₁ Max.	Width between inner plates b ₁ Min.		L Max.	Lc Max.		Max.	Max.					
mm																
A	C06A-1	C35 ¹⁾	9,525	5,08	4,77	3,58	13,3	14,3	9,0	-	1,3	-	7,9	10,8	0,41	PHC C35-1...
	C08A-1	C40	12,700	7,95	7,85	3,96	16,6	18,8	12,0	-	1,5	-	14,1	17,5	0,73	PHC C40-1...
	C10A-1	C50	15,875	10,16	9,40	5,08	20,7	23,3	15,1	-	2,0	-	22,2	29,4	1,23	PHC C50-1...
	C12A-1	C60	19,050	11,91	12,57	5,94	-	28,3	18,0	-	2,4	-	31,8	41,5	1,81	PHC C60-1...
	C16A-1	C80	25,400	15,88	15,75	7,92	32,7	36,5	24,0	-	3,3	-	56,7	60,4	3,09	PHC C80-1...
	C20A-1	C100	31,750	19,05	18,90	9,53	40,4	44,7	30,0	-	4,0	-	88,5	109,2	4,56	PHC C100-1...
	C24A-1	C120	38,100	22,23	25,22	11,10	50,3	54,3	35,7	-	4,8	-	127,0	166,3	6,86	PHC C120-1...
	C28A-1	C140	44,450	25,40	25,22	12,70	54,4	59,0	41,0	-	5,6	-	172,4	212,0	8,49	PHC C140-1...
	C32A-1	C160	50,800	28,58	31,55	14,27	64,8	69,6	47,8	-	6,4	-	226,8	278,9	11,50	PHC C160-1...
	C08A-2	C40-2	12,700	7,95	7,85	3,96	31,0	33,2	12,0	-	1,5	14,38	28,2	35,9	1,43	PHC C40-2...
	C10A-2	C50-2	15,875	10,16	9,40	5,08	38,9	41,4	15,1	-	2,0	18,11	44,4	58,1	2,42	PHC C50-2...
	C12A-2	C60-2	19,050	11,91	12,57	5,94	48,8	51,1	18,0	-	2,4	22,78	63,6	82,1	3,58	PHC C60-2...
	C16A-2	C80-2	25,400	15,88	15,75	7,92	62,7	65,8	24,0	-	3,3	29,29	113,4	141,8	6,12	PHC C80-2...
	C20A-2	C100-2	31,750	19,05	18,90	9,53	76,4	80,5	30,0	-	4,0	35,76	177,0	219,4	9,08	PHC C100-2...
	C34A-2	C120-2	38,100	22,23	25,22	11,10	95,8	99,7	35,7	-	4,8	45,44	254,0	314,9	13,60	PHC C120-2...
	C28A-2	C140-2	44,450	25,40	25,22	12,70	103,3	107,9	41,0	-	5,6	48,87	344,8	427,5	16,86	PHC C140-2...
	C32A-2	C160-2	50,800	28,58	31,55	14,27	123,3	128,1	47,8	-	6,4	58,55	453,6	562,4	22,90	PHC C160-2...
	C08A-3	C40-3	12,700	7,95	7,85	3,96	45,4	47,6	12,0	-	1,5	14,38	42,3	50,0	2,14	PHC C40-3...
	C10A-3	C50-3	15,875	10,16	9,40	5,08	57,0	59,5	15,1	-	2,0	18,11	66,6	77,8	3,62	PHC C50-3...
	C12A-3	C60-3	19,050	11,91	12,57	5,94	71,5	73,9	18,0	-	2,4	22,78	95,4	111,1	5,36	PHC C60-3...
	C16A-3	C80-3	25,400	15,88	15,75	7,92	91,7	95,1	24,0	-	3,3	29,29	170,1	198,4	9,10	PHC C80-3...
	C20A-3	C100-3	31,750	19,05	18,90	9,53	112,2	116,3	30,0	-	4,0	35,76	265,5	309,6	13,60	PHC C100-3...
	C24A-3	C120-3	38,100	22,23	25,22	11,10	141,4	145,2	35,7	-	4,8	45,44	381,0	437,2	20,43	PHC C120-3...
	C28A-3	C140-3	44,450	25,40	25,22	12,70	152,2	156,8	41,0	-	5,6	48,87	517,2	593,3	25,23	PHC C140-3...
C32A-3	C160-3	50,800	28,58	31,55	14,27	181,8	186,6	47,8	-	6,4	58,55	680,4	780,6	34,49	PHC C160-3...	
B	C08B-1	-	12,700	8,51	7,75	4,45	16,7	18,2	11,8	1,6	1,6	-	18,0	19,5	0,80	PHC C08B-1...
	C10B-1	-	15,880	10,16	9,65	5,08	19,5	20,9	14,7	1,7	1,7	-	22,4	27,9	1,06	PHC C10B-1...
	C12B-1	-	19,060	12,07	11,68	5,72	22,5	25,2	16,0	1,9	1,9	-	29,0	32,2	1,32	PHC C12B-1...
	C16BX21-1	-	25,400	15,88	17,02	8,28	36,1	39,1	21,0	4,2	3,1	-	60,0	72,8	3,08	PHC C16BX21-1...
	C16BX24-1	-	25,400	15,88	17,02	8,28	36,1	39,1	24,0	4,2	3,1	-	60,0	72,8	3,49	PHC C16BX24-1...
	C20B-1	-	31,750	19,05	19,56	10,19	41,3	45,0	26,4	4,5	3,5	-	95,0	106,7	4,16	PHC C20B-1...
	C24B-1	-	38,100	25,40	25,40	14,63	53,4	57,8	33,2	6,0	4,8	-	160,0	178,0	7,47	PHC C24B-1...
	C28B-1	-	44,450	27,94	30,99	15,90	66,1	69,5	36,7	7,5	6,0	-	200,0	222,0	9,90	PHC C28B-1...
	C32B-1	-	50,800	29,21	30,99	17,81	66,0	71,0	42,0	7,0	6,0	-	250,0	277,5	10,45	PHC C32B-1...
	C08B-2	-	12,700	8,51	7,75	4,45	31,2	32,2	11,8	1,6	1,6	13,92	32,0	38,7	1,45	PHC C08B-2...
	C10B-2	-	15,880	10,16	9,65	5,08	36,1	37,5	14,7	1,7	1,7	16,59	44,5	57,8	2,00	PHC C10B-2...
	C12B-2	-	19,050	12,07	11,68	5,72	42,0	44,7	16,0	1,9	1,9	19,46	57,8	66,1	2,62	PHC C12B-2...
	C16BX21-2	-	25,400	15,88	17,02	8,28	68,0	71,0	21,0	4,2	3,1	31,88	106,0	133,0	6,10	PHC C16BX21-2...
	C16BX24-2	-	25,400	15,88	17,02	8,28	68,0	71,0	24,0	4,2	3,1	31,88	106,0	133,0	6,92	PHC C16BX24-2...
	C20B-2	-	31,750	19,05	19,56	10,19	77,8	81,5	26,4	4,5	3,5	36,45	170,0	211,2	8,23	PHC C20B-2...
	C24B-2	-	38,100	25,40	25,40	14,63	101,7	106,2	33,2	6,0	4,8	48,36	280,0	319,2	14,77	PHC C24B-2...
	C28B-2	-	44,450	27,94	30,99	15,90	124,6	129,1	36,7	7,5	6,0	59,56	360,0	406,8	19,82	PHC C28B-2...
	C32B-2	-	50,800	29,21	30,99	17,81	124,6	129,6	42,0	7,0	6,0	58,65	450,0	508,5	20,94	PHC C32B-2...
	C08B-3	-	12,700	8,51	7,75	4,45	45,1	46,1	11,8	1,6	1,6	13,92	47,5	57,8	2,10	PHC C08B-3...
	C10B-3	-	15,880	10,16	9,65	5,08	52,7	54,1	14,7	1,7	1,7	16,59	66,7	84,5	2,87	PHC C10B-3...
	C12B-3	-	19,050	12,07	11,66	5,72	61,5	64,2	16,0	1,9	1,9	19,46	86,7	101,8	3,89	PHC C12B-3...
	C16BX21-3	-	25,400	15,88	17,02	8,28	99,8	102,9	21,0	4,2	3,1	31,88	160,0	203,7	9,12	PHC C16BX21-3...
	C16BX24-3	-	25,400	15,88	17,02	8,28	99,8	102,9	24,0	4,2	3,1	31,88	160,0	203,7	10,34	PHC C16BX24-3...
	C20B-3	-	31,750	19,05	19,56	10,19	114,2	117,9	26,4	4,5	3,5	36,45	250,0	290,0	11,34	PHC C20B-3...
	C24B-3	-	38,100	25,40	25,40	14,63	150,1	154,6	33,2	6,0	4,8	48,36	425,0	493,0	22,10	PHC C24B-3...
	C28B-3	-	44,450	27,94	30,99	15,90	184,2	188,7	36,7	7,5	6,0	59,56	530,0	609,5	29,64	PHC C28B-3...
	C32B-3	-	50,800	29,21	30,99	17,81	183,2	188,2	42,0	7,0	6,0	58,55	670,0	770,5	31,27	PHC C32B-3...

¹⁾ Bushing chain: d₁ in the table indicates the external diameter of the bushing. Standard lengths are 10 ft. and 5 m. To complete designation, add chain length. For example, a 10 ft. box of C08A-1 is PHC C08A-1X10FT. One connecting link is contained per chain. For additional links, add "C/L" for "connecting" and "O/L" for "offset" to the designation.

Double pitch chains

Transmission chains

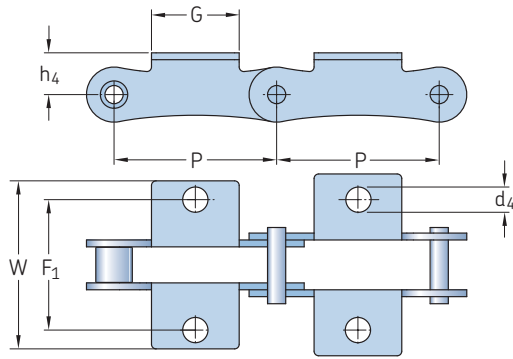


ANSI Chain number	BS/ISO Chain number	Dimensions		Width between inner plates b ₁ Min.	Pin diameter d ₂ Max.	Pin length		Inner plate height h ₂ Max.	Plate thickness		Ultimate tensile strength Q Min.	Average tensile strength Q ₀	Mass per meter	Designation
		Pitch P	Roller diameter d ₁ Max.			L Max.	L _c Max.		t Max.	T Max.				
-	-	mm									kN		kg/m	-
2040	208A	25,40	7,95	7,85	3,96	16,6	17,8	12,0	1,50	1,50	14,1	16,7	0,42	PHC 2040...
2050	210A	31,75	10,16	9,40	5,08	20,7	22,2	15,0	2,03	2,03	22,2	28,1	0,73	PHC 2050...
2060	212A	38,10	11,91	12,57	5,94	25,9	27,7	18,0	2,42	2,42	31,8	36,8	1,02	PHC 2060...
2080	216A	50,80	15,88	15,75	7,92	32,7	36,5	24,0	3,25	3,25	56,7	65,7	1,70	PHC 2080...
2100	220A	63,50	19,05	18,90	9,53	40,4	44,7	30,0	4,00	4,00	88,5	102,6	2,55	PHC 2100...
2120	224A	76,20	22,23	25,22	11,10	50,3	54,3	35,7	4,80	4,80	127,0	147,3	4,06	PHC 2120...
-	208B	25,40	8,51	7,75	4,45	16,7	18,2	11,8	1,60	1,60	18,0	19,4	0,45	PHC 208B...
-	210B	31,75	10,16	9,65	5,08	19,5	20,9	14,7	1,70	1,70	22,4	27,5	0,65	PHC 210B...
-	212B	38,10	12,07	11,68	5,72	22,5	25,2	16,0	1,85	1,85	29,0	32,2	0,76	PHC 212B...
-	216B	50,80	15,88	17,02	8,28	36,1	39,1	21,0	4,15	3,10	60,0	72,8	1,75	PHC 216B...
-	220B	63,50	19,05	19,56	10,19	41,3	45,0	26,4	4,50	3,50	95,0	106,7	2,62	PHC 220B...
-	224B	76,20	25,40	25,40	14,63	53,4	57,8	33,2	6,00	4,80	160,0	178,0	4,70	PHC 224B...
-	228B	88,90	27,94	30,99	15,90	65,1	69,5	36,7	7,50	6,00	200,0	222,0	6,23	PHC 228B...
-	232B	101,60	29,21	30,99	17,81	66,0	71,0	42,0	7,00	6,00	250,0	277,5	6,72	PHC 232B...

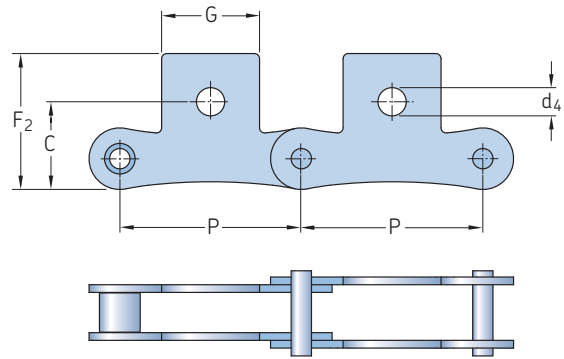
Standard lengths are 10 ft. and 5 m. To complete designation, add chain length. For example, a 5 m box of 2060 is PHC 2060X5MTR. One connecting link is contained per chain. For additional links, add "C/L" for "connecting" and "O/L" for "offset" to the designation.

Double pitch chains

Transmission attachments



K-1



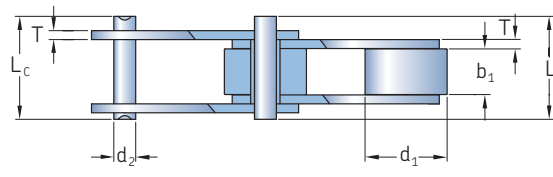
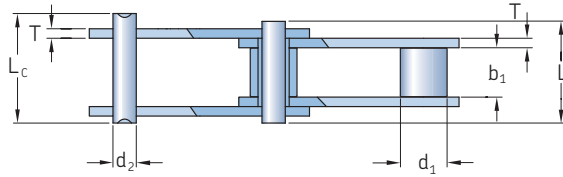
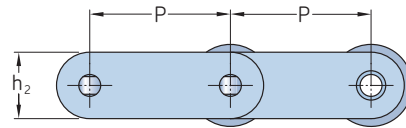
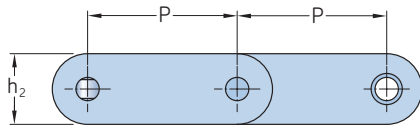
SK-1

ANSI Chain number	BS/ISO Chain number	Dimensions Pitch										Designation
		P	G	F1	W	h ₄	d ₄	C	F ₂	d ₅		
-	-	mm										-
2040	208A	25,40	19,1	25,4	39,6	9,1	3,4	11,1	20,5	5,5	PHC 2040...	
2050	210A	31,75	23,8	31,8	49,0	11,1	5,5	14,3	25,0	6,6	PHC 2050...	
2060	212A	38,10	28,6	42,9	67,8	14,7	5,5	17,5	32,9	9,2	PHC 2060...	
2080	216A	50,80	38,1	55,6	87,8	19,1	6,8	22,2	43,5	11,0	PHC 2080...	
2100	220A	63,50	47,6	66,6	107,5	23,4	9,2	28,6	50,4	13,0	PHC 2100...	
2120	224A	76,20	57,2	79,3	121,4	27,8	10,5	33,3	55,5	15,0	PHC 2120...	
-	208B	25,40	23,2	25,4	39,6	9,1	4,5	11,1	20,5	5,5	PHC 208B...	
-	210B	31,75	23,8	31,8	49,0	11,1	5,5	-	-	-	PHC 210B...	
-	212B	38,10	35,0	38,1	57,0	14,7	6,6	-	-	-	PHC 212B...	
-	216B	50,80	44,0	50,8	84,0	19,1	6,6	-	-	-	PHC 216B...	
-	220B	63,50	52,0	63,5	104,0	23,4	8,4	-	-	-	PHC 220B...	
-	224B	76,20	60,0	76,2	120,0	27,8	10,5	-	-	-	PHC 224B...	

To complete designation, add attachment spacing and type followed by chain length. For example, PHC 2060-L1K1X10FT (2060 chain with K-1 attachment on every link, 10 ft. length). Note: Also available in stainless steel. When ordering, add SS after the chain number. For example, PHC 2060SS-L1K1X10FT.

Conveyor chains

C series



Small roller type

Large roller type

ANSI Chain number	BS/ISO Chain number	Dimensions		Width between inner plates b ₁ Max.	Pin diameter d ₂ Max.	Pin length		Inner plate height h ₂ Max.	Plate thickness T Max.	Ultimate tensile strength Q Min.	Average tensile strength Q ₀	Mass per meter	Designation
		Pitch P	Roller diameter d ₁ Max.			L Max.	L _c Max.						
-	-	mm								kN		kg/m	-
C2040	C208A	25,40	7,95	7,85	3,96	16,6	17,8	12,0	1,50	14,1	16,7	0,50	PHC C2040...
C2042	C208AL	25,40	15,88	7,85	3,96	16,6	17,8	12,0	1,50	14,1	16,7	0,84	PHC C2042...
C2040H	C208AH	25,40	7,95	7,85	3,96	18,8	19,9	12,0	2,03	14,1	17,2	0,65	PHC C2040H...
C2050	C210A	31,75	10,16	9,40	5,08	20,7	22,2	15,0	2,03	22,2	28,1	0,78	PHC C2050...
C2052	C210AL	31,75	19,05	9,40	5,08	20,7	22,2	15,0	2,03	22,2	28,1	1,27	PHC C2052...
C2060	C212A	38,10	11,91	12,57	5,94	25,9	27,7	18,0	2,42	31,8	36,8	1,12	PHC C2060...
C2062	C212AL	38,10	22,23	12,57	5,94	25,9	27,7	18,0	2,42	31,8	36,8	1,61	PHC C2062...
C2060H	C212AH	38,10	11,91	12,57	5,94	29,2	31,6	18,0	3,25	31,8	41,6	1,44	PHC C2060H...
C2062H	C212AHL	38,10	22,23	12,57	5,94	29,2	31,6	18,0	3,25	31,8	41,6	2,07	PHC C2062H...
C2080	C216A	50,80	15,88	15,75	7,92	32,7	36,5	24,0	3,25	56,7	65,7	2,08	PHC C2080...
C2082	C216AL	50,80	28,58	15,75	7,92	32,7	36,5	24,0	3,25	56,7	65,7	3,12	PHC C2082...
C2080H	C216AH	50,80	15,88	15,75	7,92	36,2	39,4	24,0	4,00	56,7	70,0	2,54	PHC C2080H...
C2082H	C216AHL	50,80	28,58	15,75	7,92	36,2	39,4	24,0	4,00	56,7	70,0	3,58	PHC C2082H...
C2100	C220A	63,50	19,05	18,90	9,53	40,4	44,7	30,0	4,00	88,5	102,6	3,01	PHC C2100...
C2102	C220AL	63,50	39,67	18,90	9,53	40,4	44,7	30,0	4,00	88,5	102,6	4,83	PHC C2102...
C2100H	C220AH	63,50	19,05	18,90	9,53	43,6	46,9	30,0	4,80	88,5	112,4	3,56	PHC C2100H...
C2102H	C220AHL	63,50	39,67	18,90	9,53	43,6	46,9	30,0	4,80	88,5	112,4	5,38	PHC C2102H...
C2120	C224A	76,20	22,23	25,22	11,10	50,3	54,3	35,7	4,80	127,0	147,3	4,66	PHC C2120...
C2122	C224AL	76,20	44,45	25,22	11,10	50,3	54,3	35,7	4,80	127,0	147,3	7,66	PHC C2122...
C2120H	C224AH	76,20	22,23	25,22	11,10	53,5	57,5	35,7	5,60	127,0	160,9	5,26	PHC C2120H...
C2122H	C224AHL	76,20	44,45	25,22	11,10	53,5	57,5	35,7	5,60	127,0	160,9	8,26	PHC C2122H...
C2160	C232A	101,60	28,58	31,75	14,27	64,8	69,6	47,8	6,40	226,8	278,9	8,15	PHC C2160...
C2162	C232AL	101,60	57,15	31,75	14,27	64,8	69,6	47,8	6,40	226,8	278,9	13,00	PHC C2162...
C2160H	C232AH	101,60	28,58	31,75	14,27	68,2	73,0	47,8	7,20	226,8	285,8	9,06	PHC C2160H...
C2162H	C232AHL	101,60	57,15	31,75	14,27	68,2	73,0	47,8	7,20	226,8	285,8	12,77	PHC C2162H...

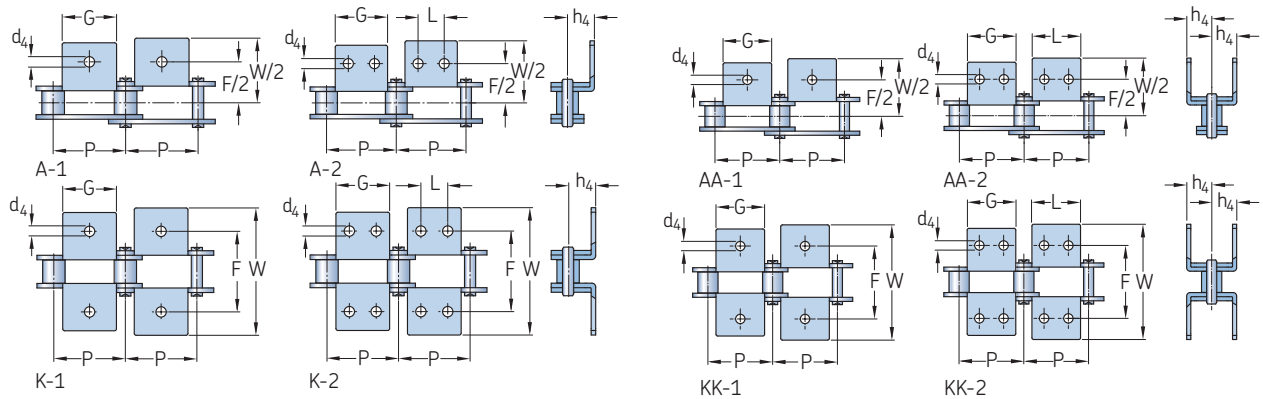
Standard lengths are 10 ft. and 5 m. To complete designation, add chain length. For example, a 5 m box of 2060-1 is PHC C2060X5MTR.

For ordering a special roller type add letter after pitch size (s for small rollers and p for large rollers). For example, to order C2040 with 25,40 mm pitch with small rollers in 10 ft. length, use designation PHC C2040-25.4SX10FT.

One connecting link is contained per chain. For additional links, add "C/L" for "connecting" and "O/L" for "offset" to the designation.

Conveyor chain C series attachments

A-1 | A-2 | K-1 | K-2 | AA-1 | AA-2 | KK-1 | KK-2



ANSI Chain number	BS/ISO Chain number	Dimensions							Designation
		P	G	L	F	W	h_4	d_4	
		mm							
C2040 ¹⁾	C208A	25,4	19,1	9,5	25,4	39,6	9,1	3,4	PHC C2040...
C2042 ¹⁾	C208AL	25,4	19,1	9,5	25,4	39,6	9,1	3,4	PHC C2042...
C2050 ¹⁾	C210A	31,8	23,8	11,9	31,8	49,0	11,1	5,5	PHC C2050...
C2052 ¹⁾	C210AL	31,8	23,8	11,9	31,8	49,0	11,1	5,5	PHC C2052...
C2060 ¹⁾	C212A	38,1	28,6	14,3	42,9	67,8	14,7	5,5	PHC C2060...
C2062 ¹⁾	C212AL	38,1	28,6	14,3	42,9	67,8	14,7	5,5	PHC C2062...
C2060H ¹⁾	C212AH	38,1	28,6	14,3	42,9	67,8	14,7	5,5	PHC C2060H...
C2062H ¹⁾	C212AHL	38,1	28,6	14,3	42,9	67,8	14,7	5,5	PHC C2062H...
C2080 ¹⁾	C216A	50,8	38,1	19,1	55,6	87,8	19,1	6,8	PHC C2080...
C2082 ¹⁾	C216AL	50,8	38,1	19,1	55,6	87,8	19,1	6,8	PHC C2082...
C2080H ¹⁾	C216AH	50,8	38,1	19,1	55,6	87,8	19,1	6,8	PHC C2080H...
C2082H ¹⁾	C216AHL	50,8	38,1	19,1	55,6	87,8	19,1	6,8	PHC C2082H...
C2100	C220A	63,5	47,6	23,8	66,6	107,5	23,4	9,2	PHC C2100...
C2102	C220AL	63,5	47,6	23,8	66,6	107,5	23,4	9,2	PHC C2102...
C2100H	C220AH	63,5	47,6	23,8	66,6	107,5	23,4	9,2	PHC C2100H...
C2102H	C220AHL	63,5	47,6	23,8	66,6	107,5	23,4	9,2	PHC C2102H...
C2120	C224A	76,2	57,2	28,6	79,3	121,4	27,8	11,0	PHC C2120...
C2122	C224AL	76,2	57,2	28,6	79,3	121,4	27,8	11,0	PHC C2122...
C2120H	C224AH	76,2	57,2	28,6	79,3	121,4	27,8	11,0	PHC C2120H...
C2122H	C224AHL	76,2	57,2	28,6	79,3	121,4	27,8	11,0	PHC C2122H...
C2160	C232A	101,6	76,2	38,1	104,7	151,6	36,5	13,1	PHC C2160...
C2162	C232AL	101,6	76,2	38,1	104,7	151,6	36,5	13,1	PHC C2162...
C2160H	C232AH	101,6	76,2	38,1	104,7	151,6	36,5	13,1	PHC C2160H...
C2162H	C232AHL	101,6	76,2	38,1	104,7	151,6	36,5	13,1	PHC C2162H...

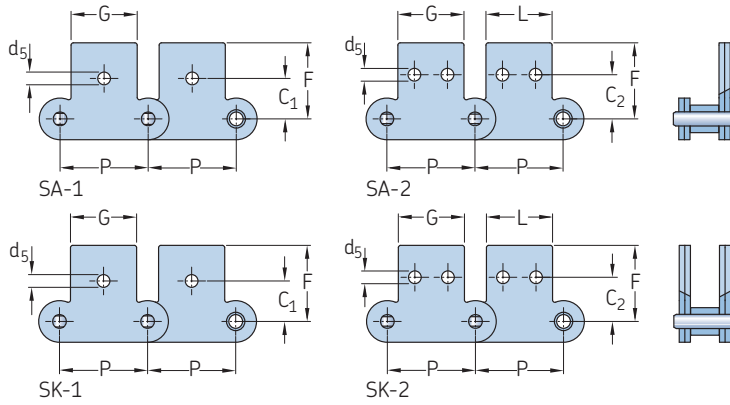
¹⁾ For these chains AA-1, AA-2, KK-1 and KK-2 attachments are available.

To complete designation, add attachment spacing and type followed by chain length. For example, PHC C2060-L2A1X10FT (C2060 with A-1 attachment on every second link, 10 ft. length).

Note: Also available in stainless steel. When ordering, add SS after the chain number. For example, PHC C2060SS-L2A1X10FT.

Conveyor chain C series attachments

SA-1 | SA-2 | SK-1 | SK-2

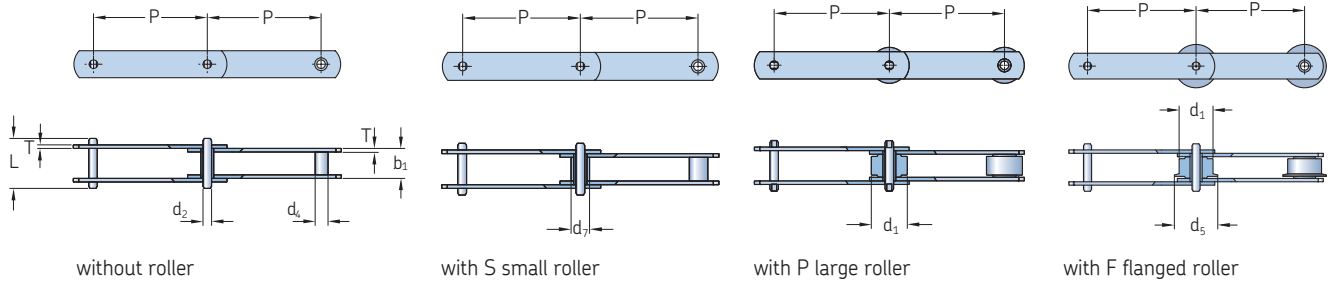


ANSI Chain number	BS/ISO Chain number	Dimensions								Designation
		P	G	L	C ₁	C ₂	F	d ₄	d ₅	
-		mm								-
C2040	C208A	25,4	19,1	9,5	11,1	13,5	20,5	3,4	5,5	PHC C2040...
C2042	C208AL	25,4	19,1	9,5	11,1	13,5	20,5	3,4	5,5	PHC C2042...
C2050	C210A	31,8	23,8	11,9	14,3	15,9	25,0	5,5	6,6	PHC C2050...
C2052	C210AL	31,8	23,8	11,9	14,3	15,9	25,0	5,5	6,6	PHC C2052...
C2060	C212A	38,1	28,6	14,3	17,5	19,1	32,9	5,5	9,2	PHC C2060...
C2062	C212AL	38,1	28,6	14,3	17,5	19,1	32,9	5,5	9,2	PHC C2062...
C2060H	C212AHL	38,1	28,6	14,3	17,5	19,1	32,9	5,5	9,2	PHC C2060H...
C2062H	C212AHL	38,1	28,6	14,3	17,5	19,1	32,9	5,5	9,2	PHC C2062H...
C2080	C216A	50,8	38,1	19,1	22,2	25,4	43,5	6,6	11,0	PHC C2080...
C2082	C216AL	50,8	38,1	19,1	22,2	25,4	43,5	6,6	11,0	PHC C2082...
C2080H	C216AH	50,8	38,1	19,1	22,2	25,4	43,5	6,6	11,0	PHC C2080H...
C2082H	C216AHL	50,8	38,1	19,1	22,2	25,4	43,5	6,6	11,0	PHC C2082H...
C2100	C220A	63,5	47,6	23,8	28,6	31,8	50,4	8,4	13,0	PHC C2100...
C2102	C220AL	63,5	47,6	23,8	28,6	31,8	50,4	8,4	13,0	PHC C2102...
C2100H	C220AHL	63,5	47,6	23,8	28,6	31,8	50,4	8,4	13,0	PHC C2100H...
C2102H	C220AHL	63,5	47,6	23,8	28,6	31,8	50,4	8,4	13,0	PHC C2102H...

To complete designation, add attachment spacing and type followed by chain length. For example, PHC C2060-1-L5SK2X10FT (C2060-1 with SK-2 attachment on every fifth link, 10 ft. length). Note: Also available in stainless steel. When ordering, add SS after the chain number. For example, PHC C2060-1SS-L5SK2X10FT.

Conveyor chains

M series



BS/ISO Chain number	Pitch sizes available													
	P													
	mm													
M20	40 ¹⁾	50	63	80	100	125	160	-	-	-	-	-	-	-
M28	-	50 ¹⁾	63	80	100	125	160	200	-	-	-	-	-	-
M40	-	-	63	80	100	125	160	200	250	-	-	-	-	-
M56	-	-	63 ¹⁾	80	100	125	160	200	250	-	-	-	-	-
M80	-	-	-	80	100	125	160	200	250	315	-	-	-	-
M112	-	-	-	80 ¹⁾	100	125	160	200	250	315	400	-	-	-
M160	-	-	-	-	100 ¹⁾	125	160	200	250	315	400	500	-	-
M224	-	-	-	-	-	125 ¹⁾	160	200	250	315	400	500	630	-
M315	-	-	-	-	-	-	160 ¹⁾	200	250	315	400	500	630	-
M450	-	-	-	-	-	-	-	200	250	315	400	500	630	800

¹⁾ Only available with small roller or without roller.

BS/ISO Chain number	Dimensions			Bush diameter d ₄ Max.	Width between inner plates b ₁ Max.	Pin diameter d ₂ Max.	Pin length L Max.	Plate height h ₂ Max.	Plate thickness T Max.	Ultimate tensile strength Q Min.	Average tensile strength Q ₀	Designation
	Roller diameter	d ₁ Max.	d ₇ Max.									
-	mm											-
M20A	25	12,5	32	9,0	16	6,0	35	19	2,5	20	25,0	PHC M20A...
M28A	30	15,0	36	10,0	18	7,0	40	21	3,0	28	35,0	PHC M28A...
M40A	36	18,0	42	12,5	20	8,5	45	26	3,5	40	50,0	PHC M40A...
M56A	42	21,0	50	15,0	24	10,0	52	31	4,0	56	70,0	PHC M56A...
M80A	50	25,0	60	18,0	28	12,0	62	36	5,0	80	100,0	PHC M80A...
M112A	60	30,0	70	21,0	32	15,0	73	41	6,0	112	140,0	PHC M112A...
M160A	70	36,0	85	25,0	37	18,0	85	51	7,0	160	200,0	PHC M160A...
M224A	85	42,0	100	30,0	43	21,0	98	62	8,0	224	280,0	PHC M224A...
M315A	100	50,0	120	36,0	48	25,0	112	72	10,0	315	393,7	PHC M315A...
M450A	120	60,0	140	42,0	56	30,0	135	82	12,0	450	562,5	PHC M450A...

Standard lengths are 10 ft. and 5 m. To complete designation, add pitch size and chain length. For example, to order M20A with 40 mm pitch without roller in 10 ft. length, use designation PHC M20A-40X10FT.

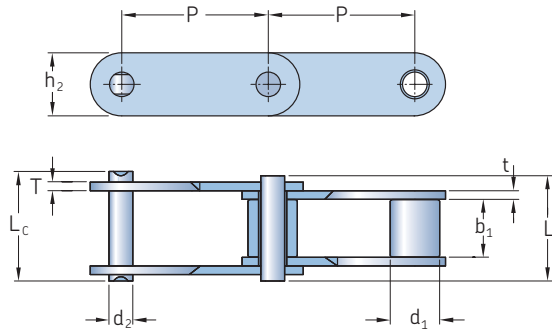
For ordering a special roller type, add letter after pitch size (s for small roller, p for large roller and f for flanged roller). For example, to order M20A with 40 mm pitch with small roller in 10 ft length, use designation PHC M20A-40SX10FT.

One connecting link is contained per chain. For additional links, add "C/L" for "connecting" and "O/L" for "offset" to the designation.

For the complete range of SKF Conveyor Chains available, please refer to the SKF Conveyor Chain Catalogue (PUB PT/P2 10818 EN).

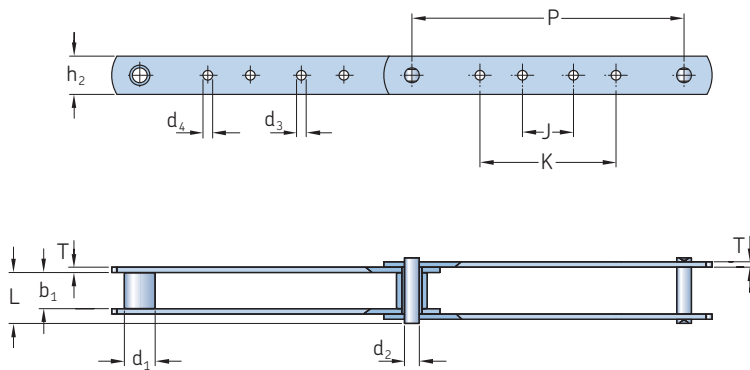
Conveyor chains

Lumber mill series | 3939 series



Chain number	Dimensions						Inner plate height h_2 Max.	Plate thickness t Max.	T Max.	Ultimate tensile strength Q Min.	Average tensile strength Q_0	Mass per meter	Designation
	Pitch P	Roller diameter d_1 Max.	Width between inner plates b_1 Min.	Pin diameter d_2 Max.	Pin length L Max.	L_c Max.							
-	mm									kN		kg/m	-
81X	66,27	23,0	27,00	11,10	49,0	53,5	28,50	4,00	4,00	106,7	128,9	3,78	PHC 81X...
81XH	66,27	23,0	27,78	11,10	60,7	65,1	31,35	7,94	5,55	151,9	175,7	5,88	PHC 81XH...
81XHH	66,27	23,0	27,78	11,10	65,6	70,0	31,35	7,94	7,94	191,1	212,6	6,70	PHC 81XHH...
81XHS	66,27	23,0	27,00	11,10	63,6	68,0	31,80	7,60	7,60	152,0	177,2	6,55	PHC 81XHS...
500R	50,00	25,4	25,40	14,63	52,0	56,4	40,00	5,00	5,00	100,0	114,5	7,13	PHC 500R...
441.100R	100,00	25,4	25,40	14,63	52,0	56,4	40,00	5,00	5,00	100,0	114,5	5,15	PHC 441.100R...

Standard lengths are 10 ft. and 5 m. To complete designation, add chain length. For example, a 5 m box of 81X is PHC 81X5MTR. One connecting link is contained per chain. For additional links, add "C/L" for "connecting" and "O/L" for "offset" to the designation.

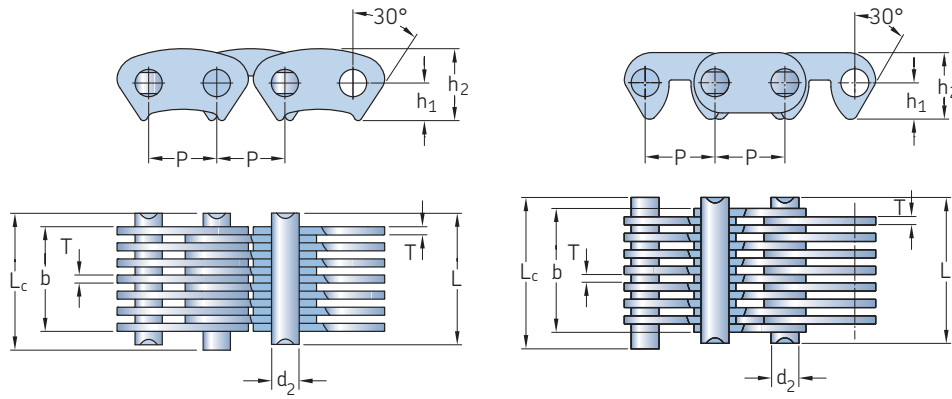


Chain number	Dimensions						Inner plate height h_2 Max.	d_3 Max.	d_4 Max.	J Max.	K Max.	Plate thickness T Max.	Ultimate tensile strength Q Min.	Average tensile strength Q_0	Mass per meter	Designation
	Pitch P	Roller diameter d_1 Max.	Width between inner plates b_1 Min.	Pin diameter d_2 Max.	Pin length L Max.	L_c Max.										
-	mm												kN		kg/m	-
3939-B4	203,2	23	27	11,1	49	28,58	7,2	7,2	38,1	101,6	4	115,58	136,5	2,45	PHC 3939-B4...	
3939-B21	203,2	23	27	11,1	49	28,58	7,2	-	38,1	-	4	115,58	136,5	2,45	PHC 3939-B21...	
3939-B23	203,2	23	27	11,1	49	28,58	-	10,3	-	92,1	4	115,58	136,5	2,45	PHC 3939-B23...	
3939-B24	203,2	23	27	11,1	49	28,58	-	7,2	-	101,6	4	115,58	136,5	2,48	PHC 3939-B24...	
3939-B40	203,2	23	27	11,1	49	28,58	-	10,3	-	101,6	4	115,58	136,5	2,45	PHC 3939-B40...	
3939-B43	203,2	23	27	11,1	49	28,58	7,2	10,3	38,1	92,1	4	115,58	136,5	2,42	PHC 3939-B43...	
3939-B44	203,2	23	27	11,1	49	28,58	7,2	10,3	38,1	101,6	4	115,58	136,5	2,45	PHC 3939-B44...	

Standard lengths are 10 ft. and 5 m. To complete designation, add chain length. For example, a 5 m box of 3939-B4 is PHC 3939-B4X5MTR. One connecting link is contained per chain. For additional links, add "C/L" for "connecting" and "O/L" for "offset" to the designation.

Silent chains

Flank contact | Crotch contact

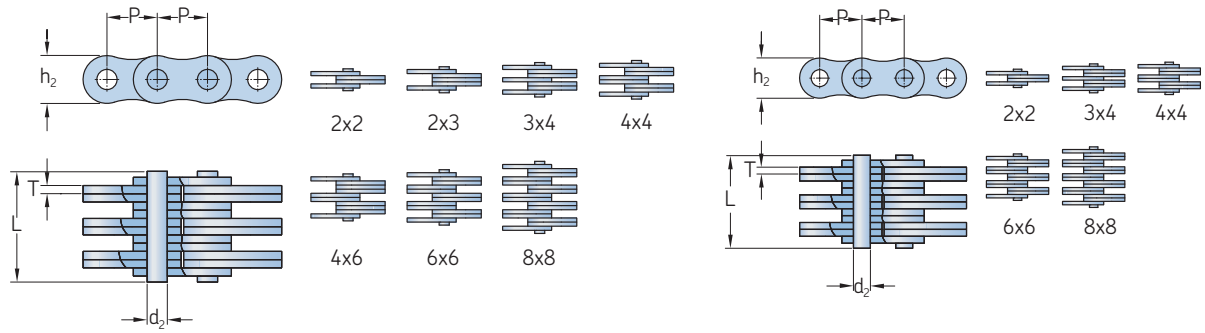


Contact type	Chain number	Dimensions		Pin diameter d_2 Max.	Pin length		Distance from hole center to tooth h_1 Max.	Plate height h_2 Max.	Plate thickness T Max.	Guide form	Number of plates	Ultimate tensile strength Q Min.	Average tensile strength Q_0	Mass per meter	Designation
		Pitch P	Chain width b Min.		L Max.	L_c Max.									
		mm										kN		kg/m	
Flank	CL06-13.5	9,53	13,5	3,95	18,5	20,0	5,30	10,0	1,5	Outside	9	10,0	11,2	0,60	PHC CL06-13.5...
	CL06-16.5	9,53	16,5	3,95	21,5	23,0	5,30	10,0	1,5	Outside	11	12,5	14,0	0,73	PHC CL06-16.5...
	CL06-19.5	9,53	19,5	3,95	24,5	26,0	5,30	10,0	1,5	Outside	13	15,0	16,8	0,85	PHC CL06-19.5...
	CL06-22.5	9,53	22,5	3,95	27,5	29,0	5,30	10,0	1,5	Outside	15	17,5	19,6	1,00	PHC CL06-22.5...
	CL06-28.5	9,53	28,5	3,95	33,5	35,0	5,30	10,0	1,5	Inside	19	22,5	25,2	1,26	PHC CL06-28.5...
	CL08-19.5	12,70	19,5	5,08	24,5	26,0	7,00	13,4	1,5	Outside	13	23,4	26,2	1,15	PHC CL08-19.5...
	CL08-22.5	12,70	22,5	5,08	27,5	29,0	7,00	13,4	1,5	Outside	15	27,4	30,6	1,33	PHC CL08-22.5...
	CL08-25.5	12,70	25,5	5,08	30,5	32,0	7,00	13,4	1,5	Outside	17	31,3	35,0	1,50	PHC CL08-25.5...
	CL08-28.5	12,70	28,5	5,08	33,5	35,0	7,00	13,4	1,5	Inside	19	35,2	39,4	1,68	PHC CL08-28.5...
	CL08-34.5	12,70	34,5	5,08	39,5	41,0	7,00	13,4	1,5	Inside	23	43,0	48,1	2,04	PHC CL08-34.5...
	CL08-40.5	12,70	40,5	5,08	45,5	47,0	7,00	13,4	1,5	Inside	27	50,8	56,8	2,39	PHC CL08-40.5...
	CL08-46.5	12,70	46,5	5,08	51,5	53,0	7,00	13,4	1,5	Inside	31	58,6	65,6	2,74	PHC CL08-46.5...
	CL08-52.5	12,70	52,5	5,08	57,5	59,0	7,00	13,4	1,5	Inside	35	66,4	74,3	3,10	PHC CL08-52.5...
	CL10-30.0	15,88	30,0	5,92	37,0	38,2	8,70	16,7	2,0	Inside	15	45,6	50,6	2,21	PHC CL10-30.0...
	CL10-38.0	15,88	38,0	5,92	45,0	46,2	8,70	16,7	2,0	Inside	19	58,6	65,0	2,80	PHC CL10-38.0...
	CL10-46.0	15,88	46,0	5,92	53,0	54,2	8,70	16,7	2,0	Inside	23	71,7	79,5	3,39	PHC CL10-46.0...
	CL10-54.0	15,88	54,0	5,92	61,0	62,4	8,70	16,7	2,0	Inside	27	84,7	94,0	3,99	PHC CL10-54.0...
	CL10-62.0	15,88	62,0	5,92	69,0	70,4	8,70	16,7	2,0	Inside	31	97,7	108,4	4,58	PHC CL10-62.0...
	CL12-38.0	19,05	38,0	6,90	45,0	46,5	10,50	20,0	2,0	Inside	19	70,0	77,6	3,37	PHC CL12-38.0...
	CL12-46.0	19,05	46,0	6,90	53,0	54,5	10,50	20,0	2,0	Inside	23	86,0	95,4	4,08	PHC CL12-46.0...
	CL12-54.0	19,05	54,0	6,90	61,0	62,8	10,50	20,0	2,0	Inside	27	102,0	113,2	4,78	PHC CL12-54.0...
	CL12-62.0	19,05	62,0	6,90	69,0	70,8	10,50	20,0	2,0	Inside	31	117,0	129,8	5,50	PHC CL12-62.0...
	CL12-70.0	19,05	70,0	6,90	77,0	78,8	10,50	20,0	2,0	Inside	35	133,0	147,6	6,20	PHC CL12-70.0...
	CL16-45.0	25,40	45,0	8,90	52,0	53,5	14,00	26,7	3,0	Inside	15	111,0	123,2	5,31	PHC CL16-45.0...
	CL16-51.0	25,40	51,0	8,90	58,0	59,5	14,00	26,7	3,0	Inside	17	125,0	138,7	6,02	PHC CL16-51.0...
	CL16-57.0	25,40	57,0	8,90	64,0	65,5	14,00	26,7	3,0	Inside	19	141,0	156,5	6,37	PHC CL16-57.0...
	CL16-69.0	25,40	69,0	8,90	76,2	77,7	14,00	26,7	3,0	Inside	23	172,0	190,9	8,15	PHC CL16-69.0...
	CL16-81.0	25,40	81,0	8,90	88,2	89,7	14,00	26,7	3,0	Inside	27	203,0	225,3	9,57	PHC CL16-81.0...
	CL16-93.0	25,40	93,0	8,90	100,2	101,7	14,00	26,7	3,0	Inside	31	235,0	260,8	10,98	PHC CL16-93.0...
	CL20-57.0	31,75	57,0	10,84	66,6	69,6	17,50	33,4	3,0	Inside	19	165,0	183,1	8,42	PHC CL20-57.0...
	CL20-69.0	31,75	69,0	10,84	78,6	81,6	17,50	33,4	3,0	Inside	23	201,0	223,1	10,19	PHC CL20-69.0...
	CL20-81.0	31,75	81,0	10,84	90,6	93,6	17,50	33,4	3,0	Inside	27	237,0	263,2	11,96	PHC CL20-81.0...
CL20-93.0	31,75	93,0	10,84	102,6	105,6	17,50	33,4	3,0	Inside	31	273,0	303,0	13,73	PHC CL20-93.0...	
CL20-105.0	31,75	105,0	10,84	114,6	117,6	17,50	33,4	3,0	Inside	35	310,0	341,0	15,50	PHC CL20-105.0...	
CL20-117.0	31,75	117,0	10,84	126,6	129,6	17,50	33,4	3,0	Inside	39	346,0	380,6	17,27	PHC CL20-117.0...	
Crotch	C4-120	12,70	19,5	5,08	24,5	26,0	6,62	12,1	1,5	Inside	13	20,0	22,2	1,20	PHC C4-120...
	C4-123	12,70	22,5	5,08	27,5	29,0	6,62	12,1	1,5	Inside	15	23,0	25,5	1,37	PHC C4-123...
	C4-129	12,70	28,5	5,08	33,5	35,0	6,62	12,1	1,5	Inside	19	28,5	31,6	1,72	PHC C4-129...
	C4-132	12,70	31,5	5,08	35,5	38,0	6,62	12,1	1,5	Inside	21	31,5	34,9	1,89	PHC C4-132...
	C4-138	12,70	37,5	5,08	42,5	44,0	6,62	12,1	1,5	Inside	25	38,0	42,1	2,22	PHC C4-138...
	C4-150	12,70	49,5	5,08	54,5	56,0	6,62	12,1	1,5	Inside	33	50,0	55,5	2,90	PHC C4-150...
	C4-320	12,70	19,5	5,08	24,5	26,0	6,62	12,1	1,5	Outside	13	20,0	22,2	1,21	PHC C4-320...
	C4-323	12,70	22,5	5,08	27,5	29,0	6,62	12,1	1,5	Outside	15	23,0	25,5	1,38	PHC C4-323...
	C4-329	12,70	28,5	5,08	33,5	35,0	6,62	12,1	1,5	Outside	19	28,5	31,6	1,73	PHC C4-329...
	C4-332	12,70	31,5	5,08	36,5	38,0	6,62	12,1	1,5	Outside	21	31,5	34,9	1,90	PHC C4-332...
	C4-338	12,70	37,5	5,08	42,5	44,0	6,62	12,1	1,5	Outside	25	38,0	42,1	2,23	PHC C4-338...

Standard lengths are 10 ft. and 5 m. To complete designation, add chain length. For example, a 5m box of CL06-13.5 is PHC CL06-13.5X5MTR. One connecting link is contained per chain. For additional links, add "C/L" for "connecting" and "O/L" for "offset" to the designation.

Leaf chains

ANSI BL422-BL1646



ANSI Chain number	BS/ISO Chain number	Dimensions		Pin diameter d_2 Max.	Pin length L Max.	Plate height h_2 Max.	Plate thickness T Max.	Ultimate tensile strength Q Min.	Average tensile strength Q_0	Mass per meter	Designation
		Pitch P	Plate lacing								
-	-	mm	-	mm				kN		kg/m	-
BL422	LH0822	12,70	2 x 2	5,09	11,05	12,07	2,08	22,2	27,6	0,64	PHC BL422...
BL423	LH0823	12,70	2 x 3	5,09	13,16	12,07	2,08	22,2	27,6	0,80	PHC BL423...
BL434	LH0834	12,70	3 x 4	5,09	17,40	12,07	2,08	33,4	41,4	1,12	PHC BL434...
BL444	LH0844	12,70	4 x 4	5,09	19,51	12,07	2,08	44,5	56,0	1,28	PHC BL444...
BL446	LH0846	12,70	4 x 6	5,09	23,75	12,07	2,08	44,5	56,0	1,60	PHC BL446...
BL466	LH0866	12,70	6 x 6	5,09	27,99	12,07	2,08	66,7	81,7	1,92	PHC BL466...
BL488	LH0888	12,70	8 x 8	5,09	36,45	12,07	2,08	89,0	109,4	2,56	PHC BL488...
BL522	LH1022	15,88	2 x 2	5,96	12,90	15,09	2,44	33,4	43,1	0,88	PHC BL522...
BL523	LH1023	15,88	2 x 2	5,96	15,37	15,09	2,44	33,4	43,1	1,10	PHC BL523...
BL534	LH1034	15,88	3 x 4	5,96	20,32	15,09	2,44	48,9	65,6	1,50	PHC BL534...
BL544	LH1044	15,88	4 x 4	5,96	22,78	15,09	2,44	66,7	84,5	1,80	PHC BL544...
BL546	LH1046	15,88	4 x 6	5,96	27,74	15,09	2,44	66,7	84,5	2,20	PHC BL546...
BL566	LH1066	15,88	6 x 6	5,96	32,69	15,09	2,44	100,1	125,1	2,65	PHC BL566...
BL588	LH1088	15,88	8 x 8	5,96	42,57	15,09	2,44	133,4	169,5	3,50	PHC BL588...
BL622	LH1222	19,05	2 x 2	7,94	17,37	18,11	3,30	48,9	63,6	1,45	PHC BL622...
BL623	LH1223	19,05	2 x 3	7,94	20,73	18,11	3,30	48,9	63,6	1,80	PHC BL623...
BL634	LH1234	19,05	3 x 4	7,94	27,43	18,11	3,30	75,6	102,8	2,50	PHC BL634...
BL644	LH1244	19,05	4 x 4	7,94	30,78	18,11	3,30	97,9	120,9	2,90	PHC BL644...
BL646	LH1246	19,05	4 x 6	7,94	37,49	18,11	3,30	97,9	120,9	3,60	PHC BL646...
BL666	LH1266	19,05	6 x 6	7,94	44,20	18,11	3,30	146,8	190,8	4,30	PHC BL666...
BL688	LH1288	19,05	8 x 8	7,94	57,61	18,11	3,30	195,7	238,8	5,80	PHC BL688...
BL822	LH1622	25,40	2 x 2	9,54	21,34	24,13	4,09	84,5	108,2	2,20	PHC BL822...
BL823	LH1623	25,40	2 x 3	9,54	25,48	24,13	4,09	84,5	108,2	2,70	PHC BL823...
BL834	LH1634	25,40	3 x 4	9,54	33,76	24,13	4,09	129,0	170,0	3,80	PHC BL834...
BL844	LH1644	25,40	4 x 4	9,54	37,90	24,13	4,09	169,0	214,6	4,30	PHC BL844...
BL846	LH1646	25,40	4 x 6	9,54	46,18	24,13	4,09	169,0	214,6	5,40	PHC BL846...
BL866	LH1666	25,40	6 x 6	9,54	54,46	24,13	4,09	253,6	324,5	6,50	PHC BL866...
BL888	LH1688	25,40	8 x 8	9,54	71,02	24,13	4,09	338,1	432,7	8,60	PHC BL888...
BL1022	LH2022	31,75	2 x 2	11,11	25,37	30,18	4,90	115,6	150,8	3,40	PHC BL1022...
BL1023	LH2023	31,75	2 x 3	11,11	30,33	30,18	4,90	115,6	150,8	4,30	PHC BL1023...
BL1034	LH2034	31,75	3 x 4	11,11	40,23	30,18	4,90	182,4	231,6	6,00	PHC BL1034...
BL1044	LH2044	31,75	4 x 4	11,11	45,19	30,18	4,90	231,3	291,4	6,90	PHC BL1044...
BL1046	LH2046	31,75	4 x 6	11,11	55,09	30,18	4,90	231,3	291,4	8,60	PHC BL1046...
BL1066	LH2066	31,75	6 x 6	11,11	65,00	30,18	4,90	347,0	430,3	10,30	PHC BL1066...
BL1088	LH2088	31,75	8 x 8	11,11	84,81	30,18	4,90	462,6	555,1	13,80	PHC BL1088...
BL1222	LH2422	38,10	2 x 2	12,71	29,62	36,20	5,77	151,2	192,0	4,60	PHC BL1222...
BL1223	LH2423	38,10	2 x 3	12,71	35,43	36,20	5,77	151,2	192,0	5,80	PHC BL1223...
BL1234	LH2434	38,10	3 x 4	12,71	47,07	36,20	5,77	244,6	315,9	8,10	PHC BL1234...
BL1244	LH2444	38,10	4 x 4	12,71	52,88	36,20	5,77	302,5	381,1	9,30	PHC BL1244...
BL1246	LH2446	38,10	4 x 6	12,71	64,52	36,20	5,77	302,5	381,1	11,60	PHC BL1246...
BL1266	LH2466	38,10	6 x 6	12,71	76,15	36,20	5,77	453,7	543,6	13,90	PHC BL1266...
BL1288	LH2488	38,10	8 x 8	12,71	99,42	36,20	5,77	605,0	726,0	18,60	PHC BL1288...
BL1422	LH2822	44,45	2 x 2	14,29	33,55	42,24	6,55	191,3	225,7	6,10	PHC BL1422...
BL1423	LH2823	44,45	2 x 3	14,29	40,16	42,24	6,55	191,3	225,7	7,60	PHC BL1423...
BL1434	LH2834	44,45	3 x 4	14,29	53,37	42,24	6,55	315,8	372,6	10,60	PHC BL1434...
BL1444	LH2844	44,45	4 x 4	14,29	59,97	42,24	6,55	382,6	451,2	12,20	PHC BL1444...
BL1446	LH2846	44,45	4 x 6	14,29	73,18	42,24	6,55	382,6	451,2	15,20	PHC BL1446...
BL1466	LH2866	44,45	6 x 6	14,29	86,39	42,24	6,55	578,3	682,4	18,20	PHC BL1466...
BL1488	LH2888	44,45	8 x 8	14,29	112,80	42,24	6,55	765,1	902,8	24,30	PHC BL1488...
BL1622	LH3222	50,80	2 x 2	17,46	39,01	48,26	7,52	289,1	341,1	8,00	PHC BL1622...
BL1623	LH3223	50,80	2 x 3	17,46	46,58	48,26	7,52	289,1	341,1	10,00	PHC BL1623...
BL1634	LH3234	50,80	3 x 4	17,46	61,72	48,26	7,52	440,4	519,6	14,00	PHC BL1634...
BL1644	LH3244	50,80	4 x 4	17,46	69,29	48,26	7,52	573,8	680,4	16,00	PHC BL1644...
BL1646	LH3246	50,80	4 x 6	17,46	84,43	48,26	7,52	573,8	680,4	20,00	PHC BL1646...

Standard lengths are 10 ft. and 5 m. To complete designation, add chain length. For example, a 5m box of BL422 is PHC BL422X5MTR. One connecting link is contained per chain. For additional links, add "C/L" for "connecting" and "O/L" for "offset" to the designation.

Leaf chains

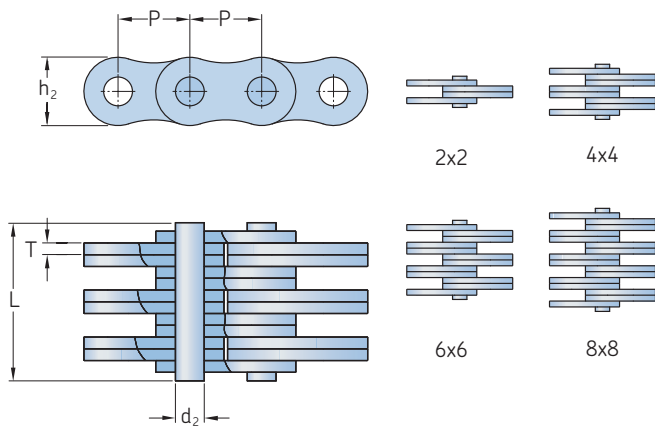
ANSI BL1666-BL2088 | ANSI AL322-AL1688

ANSI Chain number	BS/ISO Chain number	Dimensions		Pin diameter d ₂ Max.	Pin length L Max.	Plate height h ₂ Max.	Plate thickness T Max.	Ultimate tensile strength Q Min.	Average tensile strength Q ₀	Mass per meter	Designation
		Pitch P	Plate lacing								
–	–	mm	–	mm	–	–	–	kN	–	kg/m	–
BL1666	LH3266	50,80	6 x 6	17,46	99,57	48,26	7,52	857,4	1 000,7	24,00	PHC BL1666...
BL1688	LH3288	50,80	8 x 8	17,46	129,84	48,26	7,52	1 156,5	1 364,6	32,00	PHC BL1688...
BL2022	LH4022	63,50	2 x 2	23,81	51,74	60,33	9,91	433,7	511,7	15,80	PHC BL2022...
BL2023	LH4023	63,50	2 x 3	23,81	61,70	60,33	9,91	433,7	511,7	19,80	PHC BL2023...
BL2034	LH4034	63,50	3 x 4	23,81	81,61	60,33	9,91	649,4	766,2	27,70	PHC BL2034...
BL2044	LH4044	63,50	4 x 4	23,81	91,57	60,33	9,91	867,4	1 023,5	31,60	PHC BL2044...
BL2046	LH4046	63,50	4 x 6	23,81	111,48	60,33	9,91	867,4	1 023,5	39,50	PHC BL2046...
BL2066	LH4066	63,50	6 x 6	23,81	131,39	60,33	9,91	1 301,1	1 535,2	47,40	PHC BL2066...
BL2088	LH4088	63,50	8 x 8	23,81	171,22	60,33	9,91	1 734,8	2 046,5	63,20	PHC BL2088...
AL322	–	9,53	2 x 2	3,58	6,80	7,70	1,30	9,0	10,2	0,23	PHC AL322...
AL344	–	9,53	4 x 4	3,58	11,60	7,70	1,30	18,0	20,0	0,46	PHC AL344...
AL422	–	12,70	2 x 2	3,96	8,30	10,40	1,50	14,1	16,9	0,39	PHC AL422...
AL444	–	12,70	4 x 4	3,96	14,40	10,40	1,50	28,2	35,2	0,74	PHC AL444...
AL466	–	12,70	6 x 6	3,96	20,50	10,40	1,50	42,3	52,7	1,13	PHC AL466...
AL522	–	15,88	2 x 2	5,08	11,05	12,80	2,03	22,0	27,5	0,64	PHC AL522...
AL534	–	15,88	3 x 4	5,08	17,00	12,80	2,03	33,0	46,0	1,10	PHC AL534...
AL544	–	15,88	4 x 4	5,08	19,40	12,80	2,03	44,0	55,0	1,25	PHC AL544...
AL566	–	15,88	6 x 6	5,08	27,50	12,80	2,03	66,0	82,5	1,79	PHC AL566...
AL622	–	19,05	2 x 2	5,94	13,00	15,60	2,42	37,0	44,4	0,86	PHC AL622...
AL644	–	19,05	4 x 4	5,94	22,70	15,60	2,42	63,7	78,8	1,76	PHC AL644...
AL666	–	19,05	6 x 6	5,94	32,20	15,60	2,42	100,1	118,6	2,60	PHC AL666...
AL688	–	19,05	8 x 8	5,94	42,20	15,60	2,42	133,4	156,6	3,49	PHC AL688...
AL822	–	25,40	2 x 2	7,92	16,00	20,50	3,25	56,7	68,6	1,54	PHC AL822...
AL844	–	25,40	4 x 4	7,92	29,40	20,50	3,25	113,4	135,6	3,00	PHC AL844...
AL866	–	25,40	6 x 6	7,92	44,20	20,50	3,25	170,0	202,3	4,46	PHC AL866...
AL1022	–	31,75	2 x 2	9,53	19,60	25,60	4,00	88,5	107,1	2,37	PHC AL1022...
AL1044	–	31,75	4 x 4	9,53	36,40	25,60	4,00	177,0	203,6	4,68	PHC AL1044...
AL1066	–	31,75	6 x 6	9,53	52,30	25,60	4,00	265,0	315,3	7,20	PHC AL1066...
AL1088	–	31,75	8 x 8	9,53	68,50	25,60	4,00	354,0	421,2	9,94	PHC AL1088...
AL1222	–	38,10	2 x 2	11,10	24,30	30,50	4,80	127,0	151,1	3,65	PHC AL1222...
AL1244	–	38,10	4 x 4	11,10	43,80	30,50	4,80	254,0	299,7	7,05	PHC AL1244...
AL1266	–	38,10	6 x 6	11,10	63,20	30,50	4,80	381,0	426,3	10,50	PHC AL1266...
AL1288	–	38,10	8 x 8	11,10	82,60	30,50	4,80	508,0	568,4	14,03	PHC AL1288...
AL1444	–	44,45	4 x 4	12,64	51,30	36,40	5,60	372,7	413,6	10,34	PHC AL1444...
AL1466	–	44,45	6 x 6	12,64	74,56	36,40	5,60	559,0	620,4	15,16	PHC AL1466...
AL1644	–	50,80	4 x 4	14,21	58,00	41,60	6,40	471,0	522,8	12,98	PHC AL1644...
AL1666	–	50,80	6 x 6	14,21	83,80	41,60	6,40	706,0	783,6	19,76	PHC AL1666...
AL1688	–	50,80	8 x 8	14,21	109,50	41,60	6,40	942,0	1 045,5	25,47	PHC AL1688...

Standard lengths are 10 ft. and 5 m. To complete designation, add chain length. For example, a 5m box of BL422 is PHC BL422X5MTR. One connecting link is contained per chain. For additional links, add "C/L" for "connecting" and "O/L" for "offset" to the designation.

Leaf chains

BS/ISO LL0822-LL4888

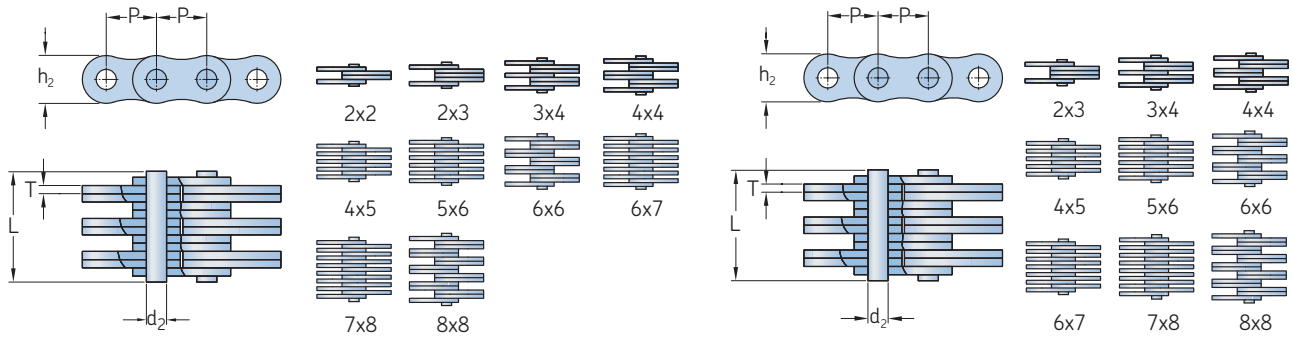


BS/ISO Chain number	Dimensions		Pin diameter d_2 Max.	Pin length L Max.	Plate height h_2 Max.	Plate thickness T Max.	Ultimate tensile strength Q Min.	Average tensile strength Q_0	Mass per meter	Designation
	Pitch	Plate lacing								
-	mm	-	mm				kN		kg/m	-
LL0822	12,70	2 x 2	4,45	8,9	10,60	1,60	18,2	20,4	0,42	PHC LL0822...
LL0844	12,70	4 x 4	4,45	15,6	10,60	1,60	36,4	40,7	0,84	PHC LL0844...
LL0866	12,70	6 x 6	4,45	22,0	10,60	1,60	54,6	60,0	1,24	PHC LL0866...
LL0888	12,70	8 x 8	4,45	28,5	10,60	1,60	72,8	80,0	1,64	PHC LL0888...
LL1022	15,88	2 x 2	5,08	9,2	13,70	1,60	22,7	25,5	0,54	PHC LL1022...
LL1044	15,88	4 x 4	5,08	15,8	13,70	1,60	45,4	51,0	1,06	PHC LL1044...
LL1066	15,88	6 x 6	5,08	22,1	13,70	1,60	68,1	76,3	1,57	PHC LL1066...
LL1088	15,88	8 x 8	5,08	28,8	13,70	1,60	90,8	101,9	2,10	PHC LL1088...
LL1222	19,05	2 x 2	5,72	10,4	16,00	1,85	29,5	33,2	0,73	PHC LL1222...
LL1244	19,05	4 x 4	5,72	17,9	16,00	1,85	59,0	66,4	1,44	PHC LL1244...
LL1266	19,05	6 x 6	5,72	25,4	16,00	1,85	88,5	99,7	2,15	PHC LL1266...
LL1288	19,05	8 x 8	5,72	32,9	16,00	1,85	118,0	132,9	2,84	PHC LL1288...
LL1622	25,40	2 x 2	8,28	17,2	21,00	3,10	58,0	66,7	1,52	PHC LL1622...
LL1644	25,40	4 x 4	8,28	29,6	21,00	3,10	116,0	140,0	2,90	PHC LL1644...
LL1666	25,40	6 x 6	8,28	42,4	21,00	3,10	174,0	208,8	4,30	PHC LL1666...
LL1688	25,40	8 x 8	8,28	54,9	21,00	3,10	232,0	278,0	5,71	PHC LL1688...
LL2022	31,75	2 x 2	10,19	20,1	26,40	3,50	95,0	109,2	2,33	PHC LL2022...
LL2044	31,75	4 x 4	10,19	33,8	26,40	3,50	190,0	218,5	4,40	PHC LL2044...
LL2066	31,75	6 x 6	10,19	50,1	26,40	3,50	285,0	324,6	6,79	PHC LL2066...
LL2088	31,75	8 x 8	10,19	64,0	26,40	3,50	380,0	435,1	8,90	PHC LL2088...
LL2422	38,10	2 x 2	14,63	28,4	33,40	5,00	170,0	195,5	4,47	PHC LL2422...
LL2444	38,10	4 x 4	14,63	46,3	33,40	5,00	340,0	380,8	8,22	PHC LL2444...
LL2466	38,10	6 x 6	14,63	66,4	33,40	5,00	510,0	571,2	12,22	PHC LL2466...
LL2488	38,10	8 x 8	14,63	86,6	33,40	5,00	680,0	775,2	16,30	PHC LL2488...
LL2822	44,45	2 x 2	15,90	32,2	37,08	6,00	200,0	224,0	5,10	PHC LL2822...
LL2844	44,45	4 x 4	15,90	56,4	37,08	6,00	400,0	448,0	9,90	PHC LL2844...
LL2866	44,45	6 x 6	15,90	80,8	37,08	6,00	600,0	672,0	14,60	PHC LL2866...
LL2888	44,45	8 x 8	15,90	105,2	37,08	6,00	800,0	896,0	19,40	PHC LL2888...
LL3222	50,80	2 x 2	17,81	34,8	42,00	6,40	260,0	291,2	6,20	PHC LL3222...
LL3244	50,80	4 x 4	17,81	60,6	42,00	6,40	520,0	582,4	12,30	PHC LL3244...
LL3266	50,80	6 x 6	17,81	86,4	42,00	6,40	780,0	873,6	18,30	PHC LL3266...
LL3288	50,80	8 x 8	17,81	112,2	42,00	6,40	1 040,0	1 176,0	24,00	PHC LL3288...
LL4022	63,50	2 x 2	22,89	42,2	52,76	8,00	360,0	403,2	10,30	PHC LL4022...
LL4044	63,50	4 x 4	22,89	74,4	52,76	8,00	780,0	873,6	20,00	PHC LL4044...
LL4066	63,50	6 x 6	22,89	106,5	52,76	8,00	1 080,0	1 209,6	30,00	PHC LL4066...
LL4088	63,50	8 x 8	22,89	140,0	52,76	8,00	1 440,0	1 747,2	39,10	PHC LL4088...
LL4822	76,20	2 x 2	29,24	54,6	63,88	10,00	560,0	627,2	18,50	PHC LL4822...
LL4844	76,20	4 x 4	29,24	92,6	63,88	10,00	1 120,0	1 554,4	35,70	PHC LL4844...
LL4866	76,20	6 x 6	29,24	133,4	63,88	10,00	1 680,0	2 180,0	53,00	PHC LL4866...
LL4888	76,20	8 x 8	29,24	174,2	63,88	10,00	2 240,0	2 508,8	70,40	PHC LL4888...

Standard lengths are 10 ft. and 5 m. To complete designation, add chain length. For example, a 5m box of LL0822 is PHC LL0822X5MTR. One connecting link is contained per chain. For additional links, add "C/L" for "connecting" and "O/L" for "offset" to the designation.

Leaf chains

FL, F19V, FLC | 12XX, 15XX, 19XX, 25XX



Chain number	Dimensions		Pin diameter d_2 Max.	Pin length L Max.	Plate height h_2 Max.	Plate thickness T Max.	Chain length over 100 pitches +/- 0,25%	Ultimate tensile strength Q Min.	Average tensile strength Q_0	Mass per meter	Designation
	Pitch P	Plate lacing									
-	mm	-	mm	-	-	-	-	kN	-	kg/m	-
FL644	5,94	4 x 4	1,85	6,6	4,7	0,60	-	6,50	7,8	0,13	PHC FL644...
FL666	5,94	6 x 6	1,85	9,3	4,7	0,60	-	9,75	11,8	0,20	PHC FL666...
FL688	5,94	8 x 8	1,85	12,0	4,7	0,60	-	13,00	15,6	0,25	PHC FL688...
FL844	8,00	4 x 4	2,31	7,9	6,9	0,73	-	10,00	12,1	0,25	PHC FL844...
FL944	9,53	4 x 4	3,28	10,4	8,7	1,04	-	21,00	24,7	0,43	PHC FL944...
FL966	9,53	6 x 6	3,28	14,9	8,7	1,00	-	31,00	36,8	0,65	PHC FL966...
F122	12,70	2 x 2	3,58	7,0	8,2	1,00	-	11,43	13,6	0,19	PHC F122...
F1223	12,70	2 x 3	4,45	12,8	10,2	2,03	-	20,00	23,8	0,61	PHC F1223...
FL1244	12,70	4 x 4	4,45	16,7	10,2	1,70	-	44,00	52,3	0,83	PHC FL1244...
F19V-44	19,05	4 x 4	6,50	22,4	15,2	2,42	-	71,00	84,3	1,73	PHC F19V-44...
F19V-66	19,05	6 x 6	6,50	32,3	15,2	2,42	-	106,00	125,9	2,57	PHC F19V-66...
FLC534	15,88	3 x 4	5,08	15,3	12,7	1,85	-	40,40	44,4	0,99	PHC FLC534...
FLC545	15,88	4 x 5	5,08	19,2	12,7	1,85	-	54,30	59,7	1,27	PHC FLC545...
FLC556	15,88	5 x 6	5,08	22,7	12,7	1,85	-	67,60	74,3	1,54	PHC FLC556...
FLC1056	31,75	5 x 6	9,53	40,6	25,4	3,25	-	137,90	151,0	5,44	PHC FLC1056...
FLC1067	31,75	6 x 7	9,53	47,2	25,4	3,25	-	165,40	181,9	6,42	PHC FLC1067...
FLC1078	31,75	7 x 8	9,53	53,8	25,4	3,25	-	193,00	212,0	7,40	PHC FLC1078...
1234	12,70	3 x 4	4,45	14,2	10,6	1,70	1 262	31,00	-	0,75	PHC 1234...
1256	12,70	5 x 6	4,45	21,1	10,6	1,70	1 262	53,00	-	1,17	PHC 1256...
1288	12,70	8 x 8	4,45	29,9	10,6	1,70	1 262	85,00	-	1,70	PHC 1288...
1523	15,88	2 x 3	5,08	12,1	12,7	1,94	1 580	29,00	-	0,75	PHC 1523...
1534	15,88	3 x 4	5,08	16,0	12,7	1,94	1 580	46,00	-	1,04	PHC 1534...
1544	15,88	4 x 4	5,08	18,1	12,7	1,94	1 580	58,00	-	1,18	PHC 1544...
1545	15,88	4 x 6	5,08	20,3	12,7	1,94	1 580	58,00	-	1,33	PHC 1545...
1556	15,88	5 x 6	5,08	24,0	12,7	1,94	1 580	72,00	-	1,63	PHC 1556...
1566	15,88	6 x 6	5,08	26,2	12,7	1,94	1 580	87,00	-	1,77	PHC 1566...
1567	15,88	6 x 7	5,08	28,0	12,7	1,94	1 580	90,00	-	1,91	PHC 1567...
1578	15,88	7 x 8	5,08	32,5	12,7	1,94	1 580	101,00	-	2,20	PHC 1578...
1588	15,88	8 x 8	5,08	34,0	12,7	1,94	1 580	115,00	-	2,34	PHC 1588...
1944	19,05	4 x 4	5,72	21,3	15,0	2,29	1 891	73,00	-	1,58	PHC 1944...
1966	19,05	6 x 6	5,72	30,7	15,0	2,29	1 891	110,00	-	2,37	PHC 1966...
1988	19,05	8 x 8	5,72	40,0	15,0	2,29	1 891	140,00	-	3,13	PHC 1988...
2523	25,40	2 x 3	8,28	18,8	20,2	3,06	2 532	72,00	-	1,83	PHC 2523...
2534	25,40	3 x 4	8,28	25,3	20,2	3,06	2 532	108,00	-	2,55	PHC 2534...
2545	25,40	4 x 5	8,28	31,6	20,2	3,06	2 532	144,00	-	3,26	PHC 2545...
2556	25,40	5 x 6	8,28	37,2	20,2	3,06	2 532	180,00	-	3,96	PHC 2556...
2567	25,40	6 x 7	8,28	43,8	20,2	3,06	2 532	216,00	-	4,68	PHC 2567...
2578	25,40	7 x 8	8,28	50,0	20,2	3,06	2 532	252,00	-	5,39	PHC 2578...
2588	25,40	8 x 8	8,28	52,8	20,2	3,06	2 532	290,00	-	5,77	PHC 2588...

Standard lengths are 10 ft. and 5 m. To complete designation, add chain length. For example, a 5m box of FL644 is PHC FL644X5MTR. One connecting link is contained per chain. For additional links, add "C/L" for "connecting" and "O/L" for "offset" to the designation.